

XS900FW3

90 cm, WINE CELLAR, OFW Model

BUILT-IN

X-PRO® SERIES



Fhiaba



FEATURES

- Made in Italy
- OptiView™: OptiView LED lights
- ProVent™: Uniform air circulation maintains consistent temperatures throughout the appliance resulting in better food preservation
- Humidity Control: Choose between high, medium and low humidity - particularly important for wine storage
- Total No Frost: Temperature control helping mitigate cooling loss when opening the refrigerator door. No more frost build-up that requires defrosting
- EquiLance™: Achieve a seamless built-in look with Fhiaba's innovative door hinge
- Stainless steel front
- Sabbath Mode
- Anti-Vibration: Vibration protection shields wine bottles from rattling when stored inside the wine cooler
- Wine Cellar Natural Wood Shelves: Natural beechwood provides optimal wine storage preserving wine flavor and appearance
- Wine Cellar UV Protection: Triple-layer bronze glass doors protect against UV rays and direct heat from sunlight

GENERAL PROPERTIES

Equilance Hinge	YES
Soft-Closing Glides	YES
Low Vibration	YES
OptiView (Led Light Spots)	YES
Shelves	13
Type Of Shelves	WOOD
Door Bins	
Fridge Interior Drawers	
Freezer Drawers	N/A
Evenlift Shelves	NO
Full Extension Shelves 90° Door Opening	YES
Full Extension Drawers 90° Door Opening	NO
Defrost Process	AUTOMATIC
Ice Maker With Water Filter	NO
Door Open Alarms	YES
Shopping Fridge	NO
Shopping Freezer	NO
Power Failure Alert	YES
Water Dispenser With Water Filter	NO

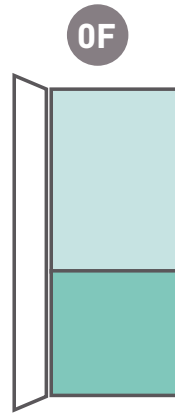
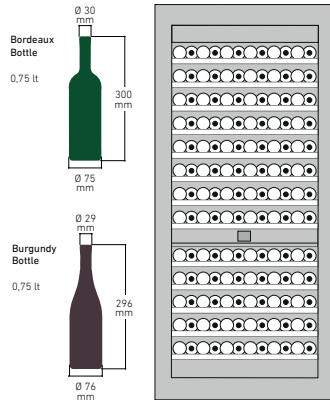
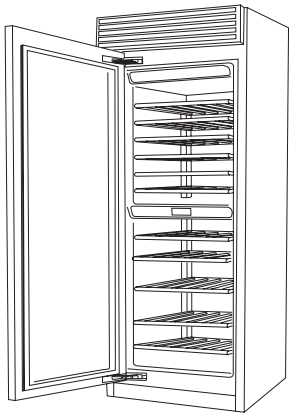
XS900FW3

90 cm, WINE CELLAR, OFW Model

BUILT-IN

X-PRO® SERIES

PRODUCT DETAIL



1D | 2M

wine cellar

D = door

M = separate microclimates

CAPACITY		DIMENSIONS & WEIGHT	
Volume Compartment 1 (L)	590	Height of the product (closed weels)(mm)	2120
Volume Compartment 2 (L)	N/A	Adjustable feet height (mm)	25
Volume Compartment 3 (L)	N/A	Width of the product (mm)	899
Total Net Volume (L)	590	Depth of Product without handle (mm)	635
Total Gross Volume (L)	607	Wall cavity height (mm)	2134
Compartment 1 / Upper wine cellar capacity (bottles)	96	Wall cavity width (mm)	900
Compartment 2 / Lower wine cellar capacity (bottles)	60	Wall cavity depth (mm)	650
Compartment 3 / Bottom wine cellar capacity (bottles)	N/A	Net Weight (kg)	192
		Gross Weight (kg)	223
TECHNICAL DETAILS		TEMPERATURE RANGES	
Total absorbed current (A)	1.5	Climatic compartments	2
Voltage (V)	220-240V	Compartment 1 / Upper temperature (°C)	from 4 to 18
Frequency (Hz)	50/60 Hz	Compartment 2 / Middle temperature (°C)	from N/A to N/A
Power Cord Length (mm)	2	Low temp zone	NO
Plug Type	Tipo F (Schuko) 16A IEC13 10A	Compartment 3 / Low temperature (°C)	from 4 to 18
Climatic class	SN/T	Dual zone	NO
Noise level (dB)	41	ACCESSORIES	
Refrigerant (gas)	R600a	• Stainless steel sides panels	• Cheese drawer
Water connection / female attachment	/	• Glass door	• Set of knives
		• Joining kit	• Prosciutteria kit
		• X-Pro top grille kit	• Bottle trap
		• Stainless steel tubular handle 30mm	• Sigar drawer
		• Extra lenght anti-tipping kit	• Beverage drawer
		• Anticondensation kit	• Beverage shelf
		• Cleaning kit	• Beverage removable shelf
		• Active carbon filter	
		• FLD - Fhiaba Link Device	
		• Painting	
		• 90° Door stop	
		• Wine kit	
EFFICIENCY			
New Energy Label class	G		
Energy consumption (kWh/year)	169		

XS900FW3

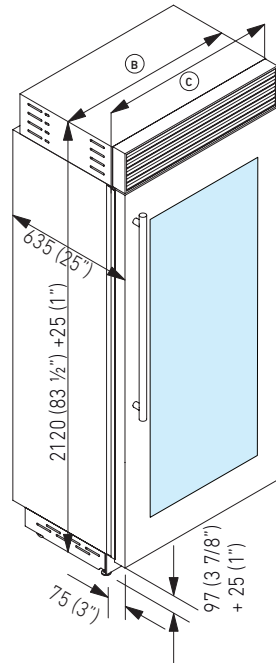
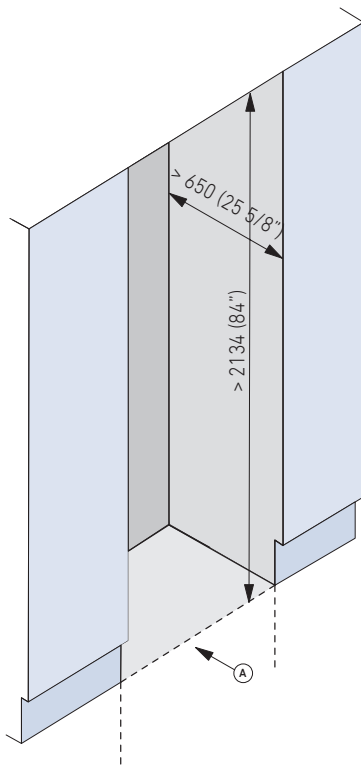
90 cm, WINE CELLAR, OFW Model

BUILT-IN

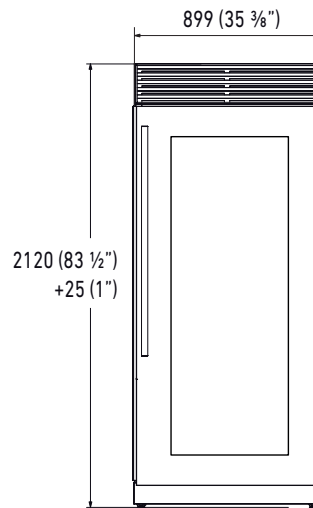
X-PRO® SERIES

PRODUCT SPECIFICATIONS AND DIMENSIONS

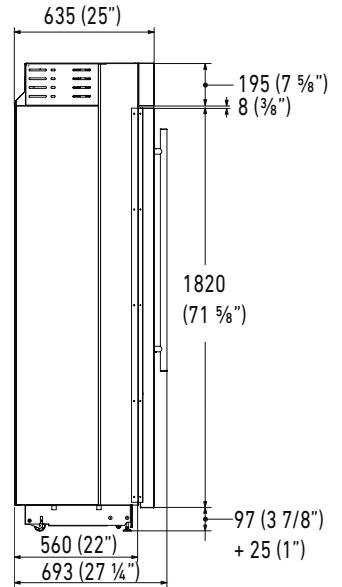
Fhiaba



FRONT VIEW

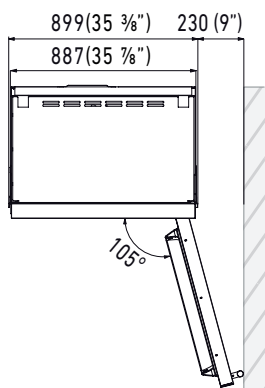


SIDE VIEW

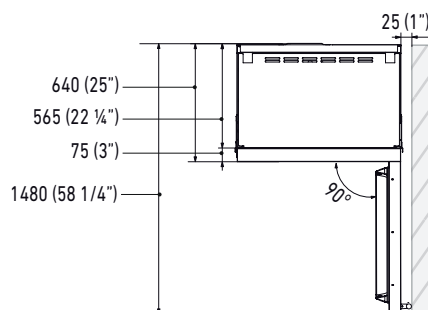


TECHNICAL DATA	
Niche Width A (mm)	900
Unit Width B (mm)	887
Unit Width with lateral frames C (mm)	899

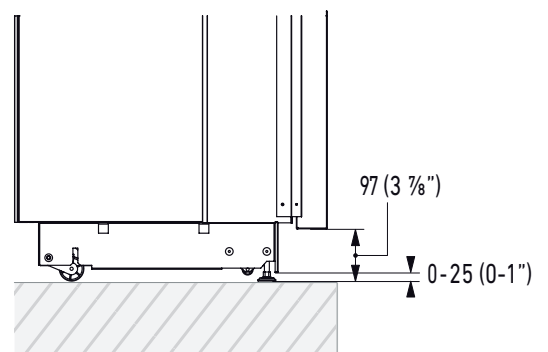
TOP VIEW,
HINGE 105°



TOP VIEW,
HINGE 90°



PLINTH SIZE



i For installation specifications, please consult with Fhiaba. For optimum installation, we recommend using the actual product as the best guide.

i Based on the adjustment of the feet and the height of the panel from the floor, the customer defines the perforated plinth to be installed on the equipment.

XS900FW3

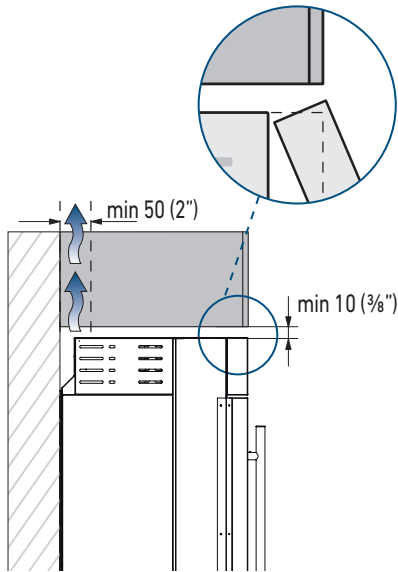
90 cm, WINE CELLAR, OFW Model

BUILT-IN

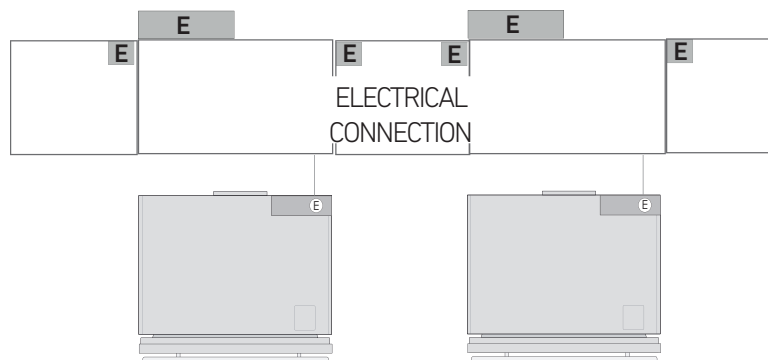
X-PRO® SERIES

PRODUCT SPECIFICATIONS AND DIMENSIONS

Fhiaba

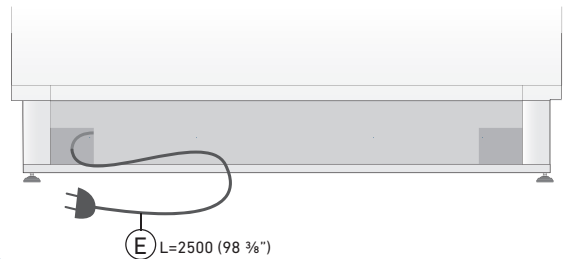
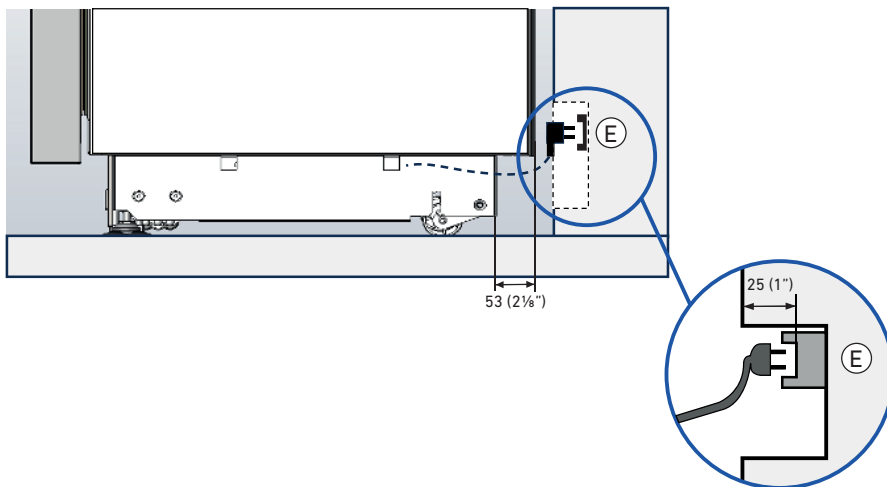


Electrical Connection



Electrical and water connections (if applicable) should be reachable without having to uninstall the appliance. If the connections must be made directly behind the appliance then it is recommended to recess those connections.

IMPORTANT: do not put the water shut-off valve behind the appliance where it will be inaccessible.



For installation specifications, please consult with Fhiaba. For optimum installation, we recommend using the actual product as the best guide.

f YouTube Instagram in
www.fhiaba.com

4/4