

Fhiaba

**—
Installation Guide**




1. IMPORTANT INSTRUCTIONS	4
1.1. Important safety instructions.....	4
1.2. Children safety.....	4
1.3. Environmental labelling.....	4
2. TECHNICAL REQUIREMENTS	5
2.1. Appliance features and installation requirements.....	5
2.2. Installation niche features: Integrated Series - 1T-0T-0H Models.....	7
2.3. Installation niche features: Integrated Series, 0F Column Models.....	8
2.4. Installation niche features: Classic Series, 1T - 0T - 0H Models.....	9
2.5. Installation niche features: Classic Series - 0F Column Model.....	10
2.6. Installation niche features: X-Pro Series.....	11
2.7. Installation niche features: X-Pro Series - 0F Column Model.....	12
2.8. Installation niche features: Country Series.....	13
2.9. Installation niche features: Brilliance-Integrated Series.....	14
2.10. Installation niche features: Brilliance-Classic Series.....	15
3. PREPARING TO INSTALL	16
3.1. Transport to installation site and unpacking.....	16
3.2. Electrical and Water connection.....	16
3.3. Levelling.....	18
4. PANELS MOUNTING	18
4.1. Decorative door and bottom-drawer panel layout.....	18
4.2. Decorative panels layout for Fridge with one bottom-drawer (1T/0T).....	20
4.3. Decorative panels layout for Fridge with two bottom-drawers (0H).....	21
4.4. Decorative panels layout for Fridge with Glass door and one bottom-drawer (1T/0T).....	22
4.5. Decorative panels layout for Fridge with Brilliance glass door.....	23
4.6. Decorative panels layout for Fridge with glass door and two bottom-drawers (0H).....	24
4.7. Decorative panels layout for column Fridge (0F).....	25
4.8. Decorative panels layout for column fridge with Glass door (0F).....	26
4.9. Panels dimensions of one bottom-drawer models (1T/0T).....	27
4.10. Panel dimensions of two bottom-drawers models (0H models).....	28
4.11. Panel dimensions of column models (0F).....	29
4.12. Mounting the handles.....	30
4.13. Mounting panels to the door and the drawer.....	30
5. INSTALLATION	32
5.1. Built-in installation of single appliance.....	32
5.2. Built-in installation.....	32
5.4. Maximum body depth over "built-in" refrigerator with "single door" panel.....	35
6. COMPLETING THE INSTALLATION	36
6.1. Anti-tipping safety assembly.....	36
6.2. Mounting the handles on stainless steel fronts.....	36
6.3. Ventilation and plinth.....	37
6.4. End of installation check.....	39
6.5. Start Up.....	39


1. IMPORTANT INSTRUCTIONS

1.1. Important safety instructions

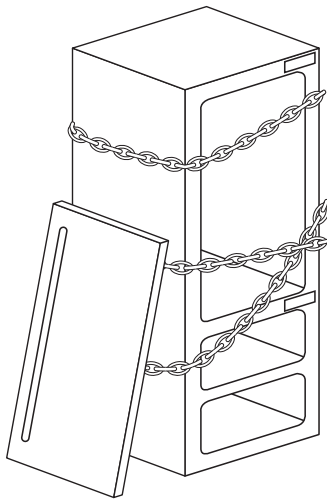
Symbols used in the Guide:

 **Note**
Tips for the correct use of the appliance


 **Important**
Directions to avoid appliance damage

 **Warning**
Directions to prevent injury

1.2. Children safety

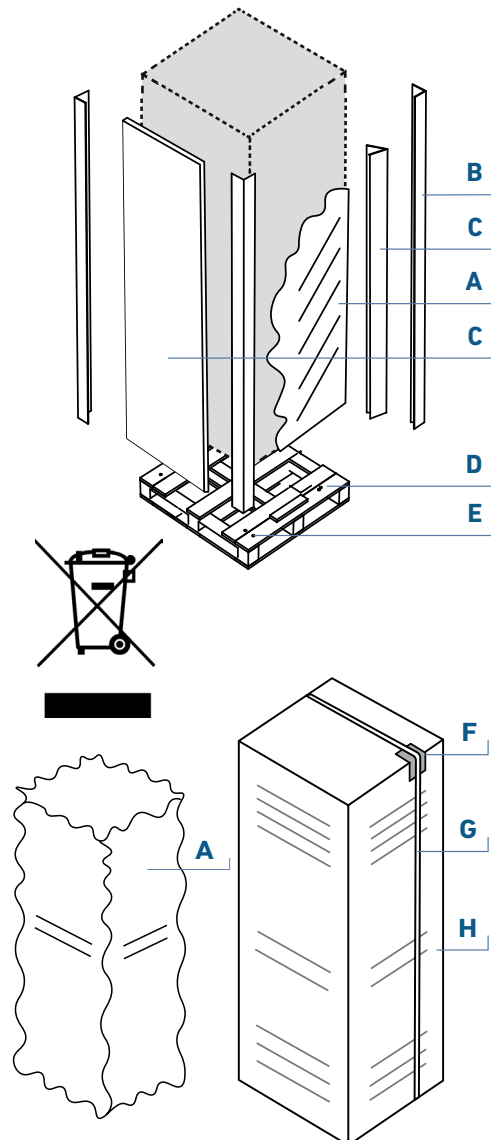


If this appliance is replacing an existing appliance which must be removed or disposed of, make sure that it does not become a dangerous trap for children by cutting its power supply cable and rendering it impossible to close the door.

 **Note**
Dimensions in parentheses are in inches.
Weights in parentheses are in pounds.
Temperatures in parentheses are in Fahrenheit degrees.

1.3. Environmental labelling

PACKAGING MATERIAL KEY			
	Material	Abbreviation	Numbering
A	Low-density polyethylene	LLDPE	4
B	Uncorrugated cardboard	PAP	21
C	Polystyrene	PS	6
D	Wood	FOR	50
E	Iron	FE	40
F	Polyvinyl chloride	PVC	3
G	Polypropylene terephthalate	PET	1
H	Corrugated cardboard	PAP	20



2.1. Appliance features and installation requirements

Appliance dimensions	<p>Series 449 w: 449 mm (17 5/8") h: 2050 mm (80 3/4") d: 615 mm (24 1/4") OF</p> <p>Series 599 w: 599 mm (23 5/8") h: 2050 mm (80 3/4") d: 610 mm (24") 1T/OT/OH d: 615 mm (24 1/4") OF</p> <p>Series 749 w: 749 mm (29 1/2") h: 2050 mm (80 3/4") d: 610 mm (24") 1T/OT/OH d: 615 mm (24 1/4") OF</p> <p>Series 899 w: 899 mm (35 3/8") h: 2050 mm (80 3/4") d: 610 mm (24") 1T/OT/OH d: 615 mm (24 1/4") OF</p>
Integrated	
Appliance dimensions	<p>Series 449 w: 449 mm (17 5/8") h: 2050 mm (80 3/4") d: 640 mm (25 1/4") OF</p> <p>Series 599 w: 599 mm (23 5/8") h: 2050 mm (80 3/4") d: 635 mm (25") 1T/OT/OH d: 640 mm (25 1/4") OF</p> <p>Series 749 w: 749 mm (29 1/2") h: 2050 mm (80 3/4") d: 635 mm (25") 1T/OT/OH d: 640 mm (25 1/4") OF</p> <p>Series 899 w: 899 mm (35 3/8") h: 2050 mm (80 3/4") d: 635 mm (25") 1T/OT/OH d: 640 mm (25 1/4") OF</p>
Classic	
Appliance dimensions	<p>Series 449 w: 449 mm (17 5/8") h: 2120 mm (83 1/2") d: 640 mm (25 1/4") OF</p> <p>Series 599 w: 599 mm (23 5/8") h: 2120 mm (83 1/2") d: 635 mm (25") 1T/OT/OH d: 640 mm (25 1/4") OF</p> <p>Series 749 w: 749 mm (29 1/2") h: 2120 mm (83 1/2") d: 635 mm (25") 1T/OT/OH d: 640 mm (25 1/4") OF</p> <p>Series 899 w: 899 mm (35 3/8") h: 2120 mm (83 1/2") d: 635 mm (25") 1T/OT/OH d: 640 mm (25 1/4") OF</p>
X-Pro Country	

Appliance dimensions	<p>Series 599 w: 599 mm (23 5/8") h: 2050 mm (80 3/4") d: 610 mm (24")</p> <p>Series 749 w: 749 mm (29 1/2") h: 2050 mm (80 3/4") d: 610 mm (24")</p> <p>Series 899 w: 899 mm (35 3/8") h: 2050 mm (80 3/4") d: 610 mm (24")</p>
Brilliance Integrated	
Appliance dimensions	<p>Series 599 w: 599 mm (23 5/8") h: 2050 mm (80 3/4") d: 635 mm (25")</p> <p>Series 749 w: 749 mm (29 1/2") h: 2050 mm (80 3/4") d: 635 mm (25")</p> <p>Series 899 w: 899 mm (35 3/8") h: 2050 mm (80 3/4") d: 635 mm (25")</p>
Brilliance Classic	
Appliance dimensions	<p>Series 449 w: 650 mm (25 5/8") h: 2210 mm (87") d: 800 mm (31 1/2") OF</p> <p>Series 599 w: 650 mm (25 5/8") h: 2210 mm (87") d: 800 mm (31 1/2")</p> <p>Series 749 w: 800 mm (31 1/2") h: 2210 mm (87") d: 800 mm (31 1/2")</p> <p>Series 899 w: 950 mm (37 3/8") h: 2210 mm (87") d: 800 mm (31 1/2")</p>
Integrated Brilliance Classic	
Appliance dimensions	<p>Series 449 w: 650 mm (25 5/8") h: 2260 mm (89") d: 800 mm (31 1/2")</p> <p>Series 599 w: 650 mm (25 5/8") h: 2260 mm (89") d: 800 mm (31 1/2")</p> <p>Series 749 w: 800 mm (31 1/2") h: 2260 mm (89") d: 800 mm (31 1/2")</p> <p>Series 899 w: 950 mm (37 3/8") h: 2260 mm (89") d: 800 mm (31 1/2")</p>
X-Pro Country	

2. TECHNICAL REQUIREMENTS

Weight with packaging	Series 449 up to 170 kg (375 lb) Series 599 up to 200 kg (441 lb) Series 749 up to 220 kg (485 lb) Series 899 up to 240 kg (529 lb)
Voltage	Europe Version: AC 220-240V 50 Hz North America Version: 110V 60Hz
Power supply cable	Europe Version: Schuko 16 A plug North America Version: 15 A
Potable water supply pressure	from 0.05 MPa to 0.5 MPa (0.5 Bar - 5 Bar)
Water supply tube	supplied, 3/4" female attachment, food-safe
Provided installation accessories	<ul style="list-style-type: none">- Customized panels mounting Kit- Anti-tipping Kit (B04000200)- Lateral connecting kit (KCLIT/KCLIH)- 4 mm (1/8") Allen wrench
Additional equipment necessary	<ul style="list-style-type: none">- Phillips head screwdriver- wood and percussion drill- 2.5 mm (1/8") bit for wood- 8 mm (3/8") bit for walls- 17 mm (3/4") wrench

2.2. Installation niche features: Integrated Series - 1T-0T-0H Models

- A** - area to be left clear for the anti-tipping brackets
- E** - area to be left clear for the power supply cable
- W** - Water supply hose



Dimensions in parentheses are in inches.

Minimum Niche Height

2064 mm (81 1/4")

STANDARD NICHE WIDTH	MINIMUM NICHE WIDTH WITH PORTAL
S899: 900 (35 1/2")	S899: 903 (35 3/8")
S749: 750 (29 5/8")	S749: 753 (29 3/4")
S599: 600 (23 3/4")	S599: 603 (23 7/8")

Minimum Niche Depth

650 mm (25 5/8")

Door Swing Clearance

S899: 1485 mm (58 1/2")

S749: 1335 mm (52 5/8")

S599: 1185 mm (46 5/8")

Door Opening Angle

105°

Width *

S899: 899 mm (35 3/8")

S749: 749 mm (29 1/2")

S599: 599 mm (23 5/8")

Height

2050 mm (80 3/4") + 25 mm (1")

Depth with door (without panel)

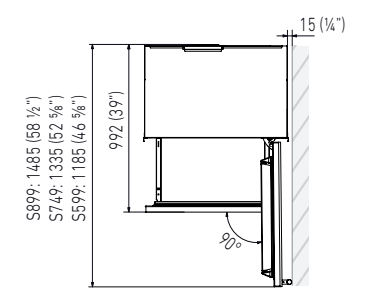
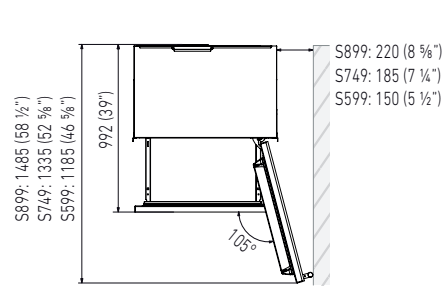
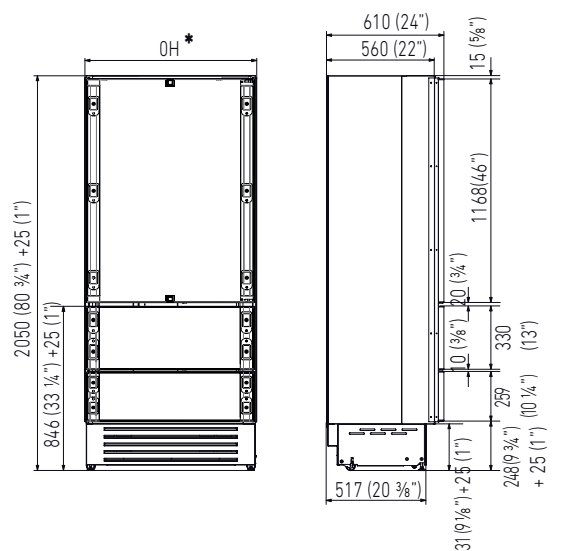
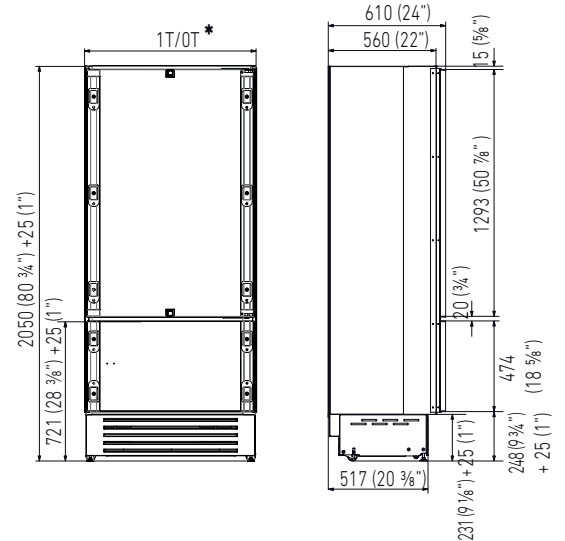
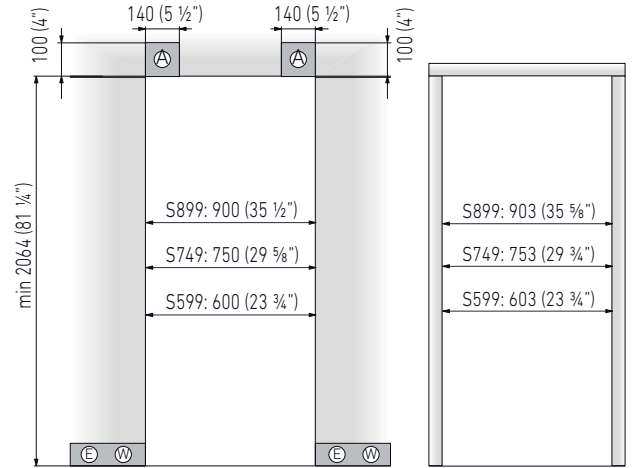
610 mm (24")

Minimum distance from the wall (hinge side) with door at 105° and 90°, with 18mm (3/4") panel and handle h=58mm (2 1/4").

S899: 220 mm (8 5/8")

S749: 185 mm (7 1/4")

S599: 150 mm (5 1/2")



2. TECHNICAL REQUIREMENTS

2.3. Installation niche features: Integrated Series, OF Column Models

A - area to be left clear for the anti-tipping brackets

E - area to be left clear for the power supply cable

W - Water supply hose



Dimensions in parentheses are in inches.

Minimum Niche Height

2064 mm (81 1/4")

STANDARD NICHE WIDTH	MINIMUM NICHE WIDTH WITH PORTAL
S899: 900 (35 1/2")	S899: 903 (35 3/8")
S749: 750 (29 5/8")	S749: 753 (29 3/4")
S599: 600 (23 3/4")	S599: 603 (23 7/8")
S449: 450 (17 3/4")	S449: 453 (17 7/8")

Minimum Niche Depth

650 mm (25 5/8")

Door Swing Clearance

S899: 1490 mm (58 5/8")

S749: 1340 mm (52 3/4")

S599: 1190 mm (46 7/8")

S449: 1040 mm (40 7/8")

Door Opening Angle

105°

Width *

S899: 899 mm (35 3/8")

S749: 749 mm (29 1/2")

S599: 599 mm (23 5/8")

S449: 449 mm (17 5/8")

Height

2050 mm (80 3/4") + 25 mm (1")

Depth with door (without panel)

615 mm (24 1/4")

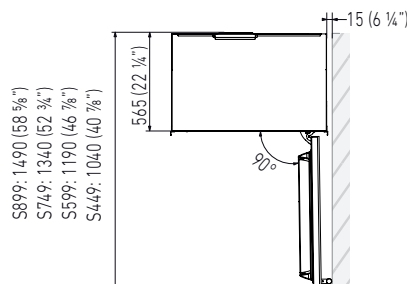
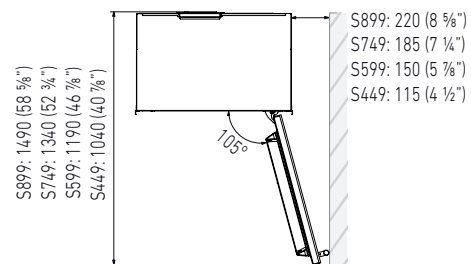
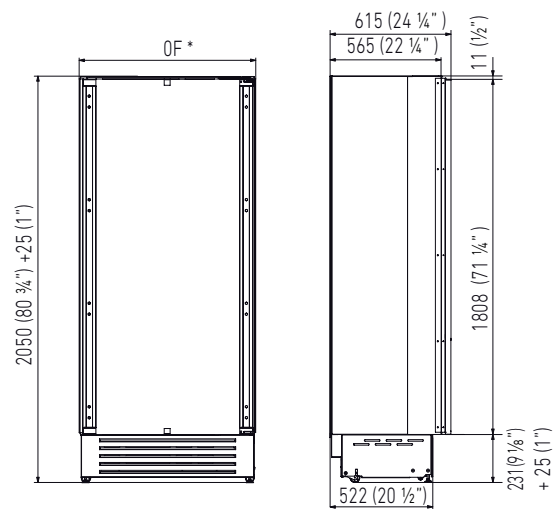
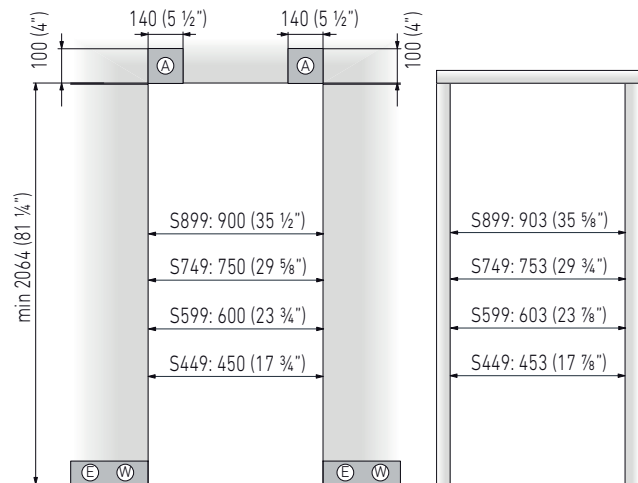
Minimum distance from the wall (hinge side) with door at 105° and 90°, with 18mm (3/4") panel and handle h=58mm (2 1/4").

S899: 220 mm (8 5/8")

S749: 185 mm (7 1/4")

S599: 150 mm (5 1/2")

S449: 115 mm (4 1/2")



2.4. Installation niche features: Classic Series, 1T - 0T - 0H Models

A - area to be left clear for the anti-tipping brackets

E - area to be left clear for the power supply cable

W - Water supply hose



Dimensions in parentheses are in inches.

Minimum Niche Height

2064 mm (81 1/4")

Minimum Niche Width

KS899: 900 mm (35 1/2")

KS749: 750 mm (29 5/8")

KS599: 600 mm (23 3/4")

Minimum Niche Depth

650 mm (25 5/8")

Door Swing Clearance

KS899: 1475 mm (58 1/8")

KS749: 1325 mm (52 1/8")

KS599: 1175 mm (46 1/4")

Door Opening Angle

105°

Width *

KS899: 899 mm (35 3/8")

KS749: 749 mm (29 1/2")

KS599: 599 mm (23 5/8")

Height

2050 mm (80 3/4") + 25 mm (1")

Depth with door

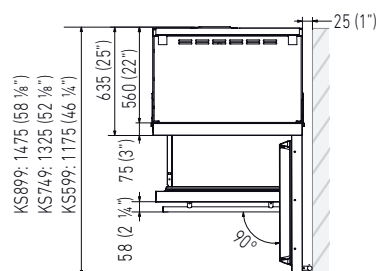
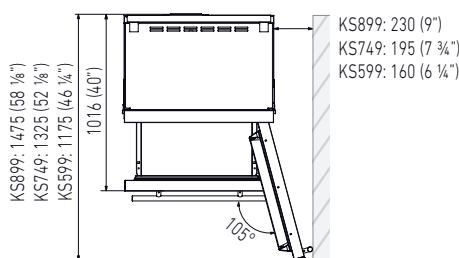
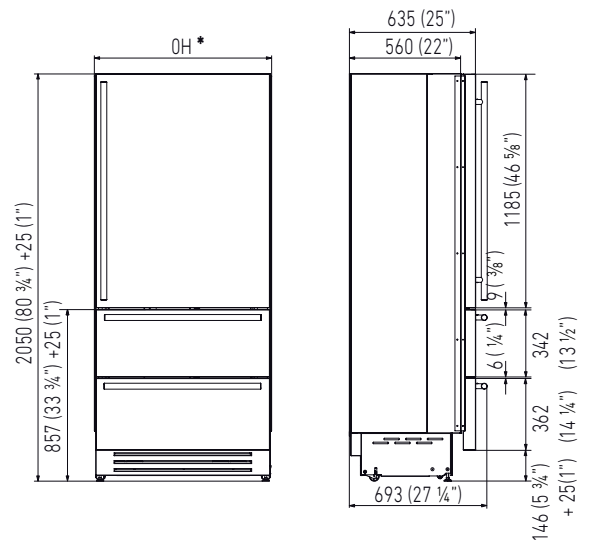
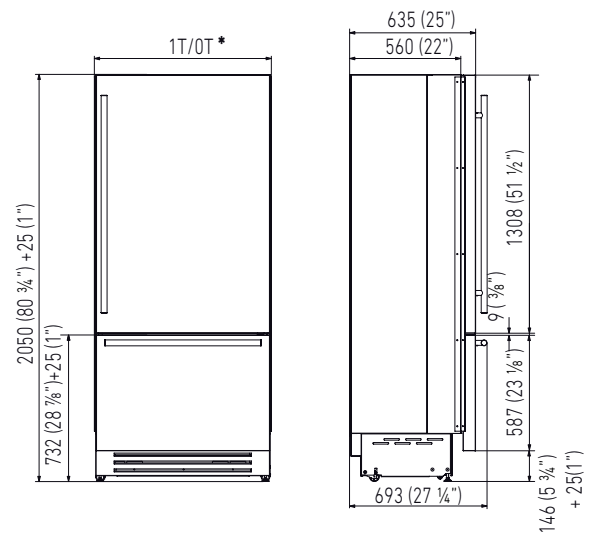
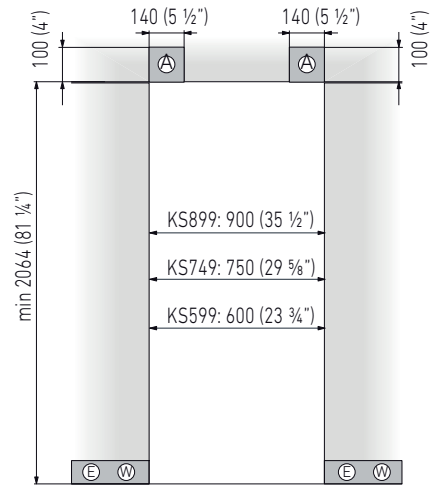
635 mm (25")

Minimum distance from the wall (hinge side) with door at 105° and 90°.

KS899: 230 mm (9")

KS749: 195 mm (7 3/4")

KS599: 160 mm (6 1/4")



2. TECHNICAL REQUIREMENTS

2.5. Installation niche features: Classic Series - OF Column Model

A - area to be left clear for the anti-tipping brackets

E - area to be left clear for the power supply cable

W - Water supply hose



Dimensions in parentheses are in inches.

Minimum Niche Height

2064 mm (81 1/4")

Minimum Niche Width

KS899: 900 mm (35 1/2")

KS749: 750 mm (29 5/8")

KS599: 600 mm (23 3/4")

KS449: 450 mm (17 3/4")

Minimum Niche Depth

650 mm (25 5/8")

Door Swing Clearance

KS899: 1480 mm (58 1/4")

KS749: 1330 mm (52 3/8")

KS599: 1180 mm (46 1/2")

KS449: 1030 mm (40 1/2")

Door Opening Angle

105°

Width *

KS899: 899 mm (35 3/8")

KS749: 749 mm (29 1/2")

KS599: 599 mm (23 5/8")

KS449: 449 mm (17 5/8")

Height

2050 mm (80 3/4") + 25 mm (1")

Depth with door

640 mm (25 1/4")

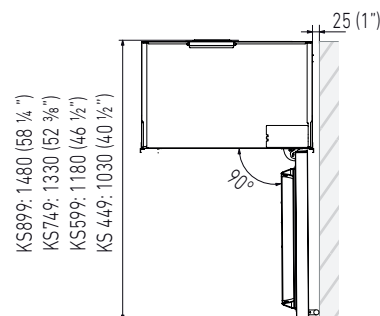
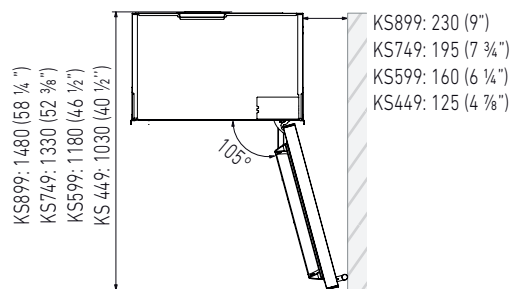
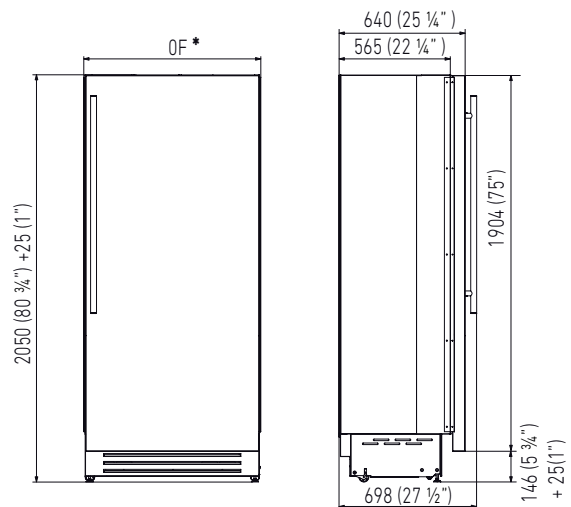
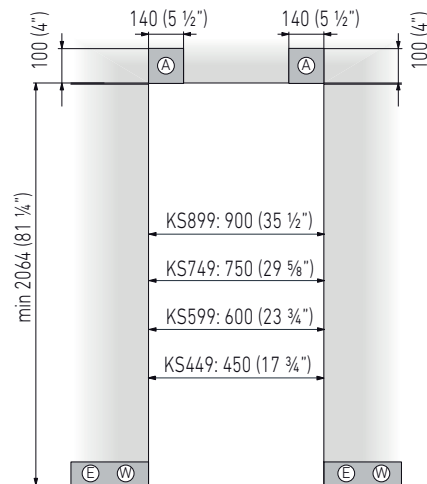
Minimum distance from the wall (hinge side) with door at 105° and 90°.

KS899: 230 mm (9")

KS749: 195 mm (7 3/4")

KS599: 160 mm (6 1/4")

KS449: 125 mm (4 7/8")



2.6. Installation niche features: X-Pro Series

- A** - area to be left clear for the anti-tipping brackets
- E** - area to be left clear for the power supply cable
- W** - Water supply hose



Dimensions in parentheses are in inches.



Important!

If the units are to be installed inside a niche or within an enclosed structure, it is necessary to design a ventilation shaft at the back of the niche to assure proper ventilation at the back of the unit.

Minimum Niche Height
2134 mm (84")

Minimum Niche Width
XS899: 900 mm (35 1/2")
XS749: 750 mm (29 5/8")
XS599: 600 mm (23 3/4")

Door Swing Clearance
XS899: 1475 mm (58 1/8")
XS749: 1325 mm (52 1/8")
XS599: 1175 mm (46 1/4")

Door Opening Angle
105°

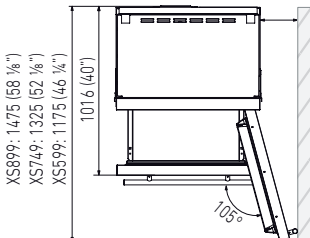
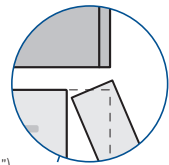
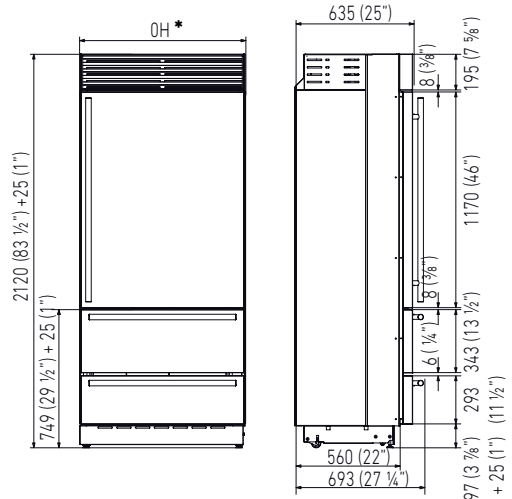
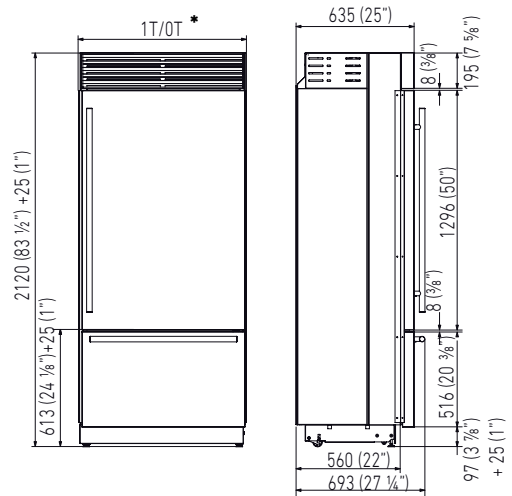
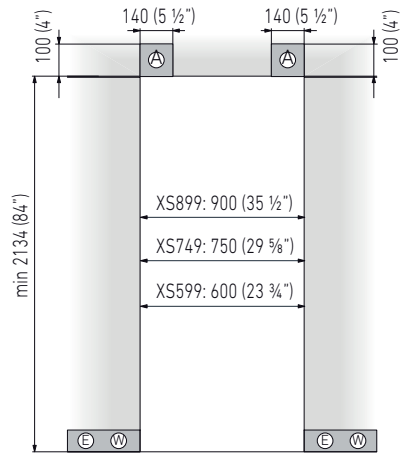
Width *
XS899: 899 mm (35 3/8")
XS749: 749 mm (29 1/2")
XS599: 599 mm (23 5/8")

Height
2120 mm (83 1/2") + 25 mm (1")

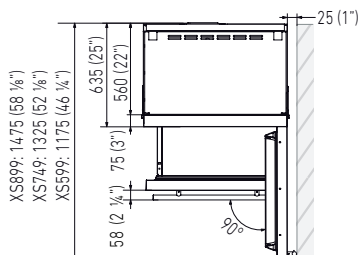
Depth with door
635 mm (25")

Minimum distance from the wall (hinge side) with door at 105° and 90°.

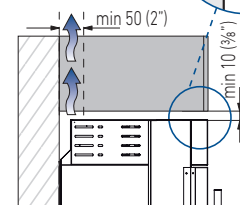
XS899: 230 mm (9")
XS749: 195 mm (7 3/4")
XS599: 160 mm (6 1/4")



XS899: 230 (9")
XS749: 195 (7 3/4")
XS599: 160 (6 1/4")



XS899: 1475 (58 1/8")
XS749: 1325 (52 1/8")
XS599: 1175 (46 1/4")



2. TECHNICAL REQUIREMENTS

2.7. Installation niche features: X-Pro Series - OF Column Model

A - area to be left clear for the anti-tipping brackets

E - area to be left clear for the power supply cable

W - Water supply hose



Dimensions in parentheses are in inches.



Important!

If the units are to be installed inside a niche or within an enclosed structure, it is necessary to design a ventilation shaft at the back of the niche to assure proper ventilation at the back of the unit.

Minimum Niche Height

2134 mm (84")

Minimum Niche Width

XS899: 900 mm (35 1/2")

XS749: 750 mm (29 5/8")

XS599: 600 mm (23 3/4")

XS449: 450 mm (17 3/4")

Door Swing Clearance

XS899: 1480 mm (58 1/4")

XS749: 1330 mm (52 3/8")

XS599: 1180 mm (46 1/2")

XS449: 1030 mm (40 1/2")

Door Opening Angle

105°

Width *

XS899: 899 mm (35 3/8")

XS749: 749 mm (29 1/2")

XS599: 599 mm (23 5/8")

XS449: 599 mm (23 5/8")

Height

2120 mm (83 1/2") + 25 mm (1")

Depth with door

640 mm (25 1/4")

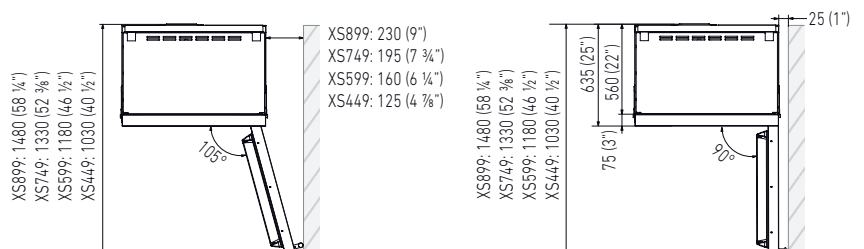
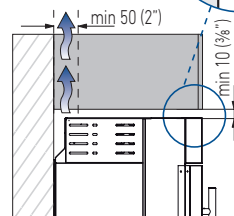
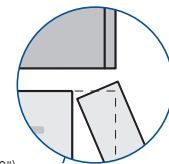
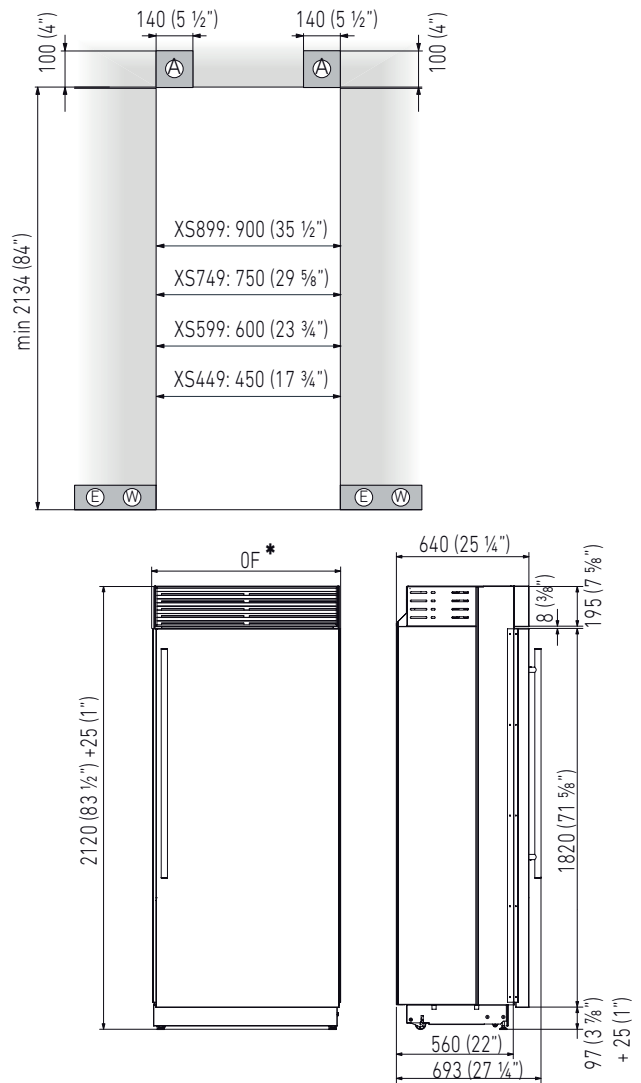
Minimum distance from the wall (hinge side) with door at 105° and 90°.

XS899: 230 mm (9")

XS749: 195 mm (7 3/4")

XS599: 160 mm (6 1/4")

XS449: 125 mm (4 7/8")



2.8. Installation niche features: Country Series

- A** - area to be left clear for the anti-tipping brackets
- E** - area to be left clear for the power supply cable
- W** - Water supply hose



Dimensions in parentheses are in inches.



Important!

If the units are to be installed inside a niche or within an enclosed structure, it is necessary to design a ventilation shaft at the back of the niche to assure proper ventilation at the back of the unit.

Minimum Niche Height

2134 mm (84")

Minimum Niche Width

AS899: 900 mm (35 1/2")
AS749: 750 mm (29 5/8")
AS599: 600 mm (23 3/4")

Door Swing Clearance

AS899: 1475 mm (58 1/8")
AS749: 1325 mm (52 1/8")
AS599: 1175 mm (46 1/4")

Door Opening Angle

105°

Width *

AS899: 887 mm (35")
AS749: 737 mm (29")
AS599: 587 mm (23 1/8")

Height

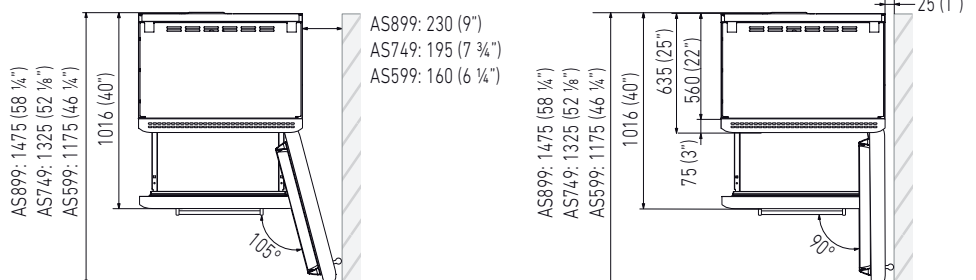
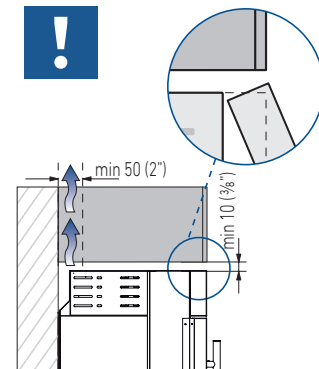
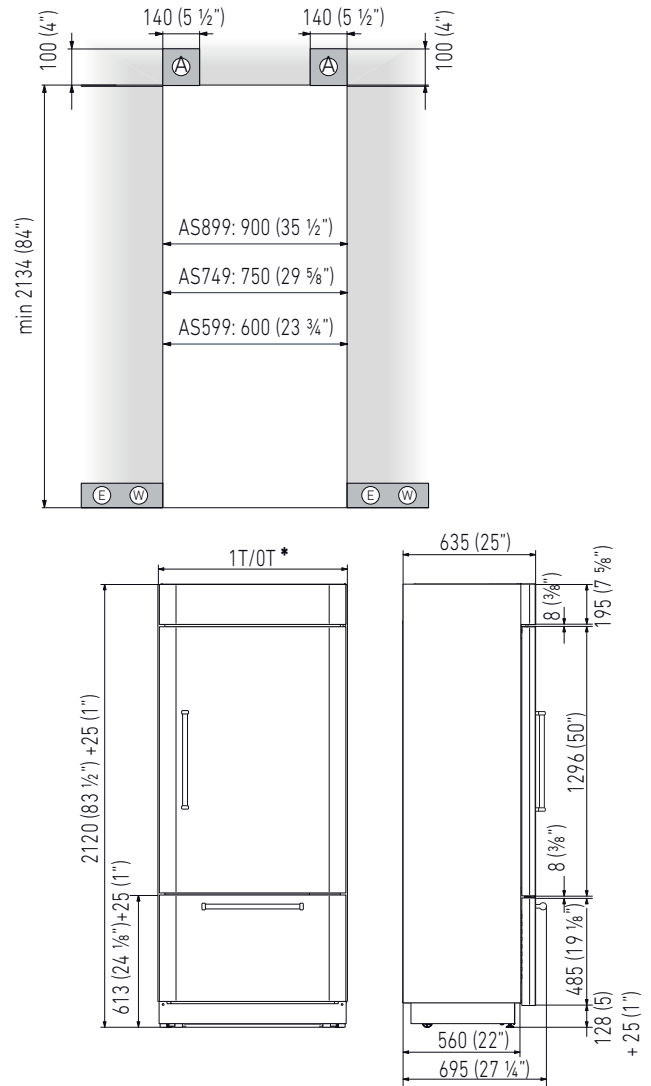
2120 mm (83 1/2") + 25 mm (1")

Depth with door

635 mm (25")

Minimum distance from the wall (hinge side) with door at 105° and 90°.

AS899: 230 mm (9")
AS749: 195 mm (7 3/4")
AS599: 160 mm (6 1/4")



2. TECHNICAL REQUIREMENTS

2.9. Installation niche features: Brilliance-Integrated Series

A - area to be left clear for the anti-tipping brackets

E - area to be left clear for the power supply cable

W - Water supply hose



Dimensions in parentheses are in inches.

Minimum Niche Height

2064 mm (81 1/4")

STANDARD NICHE WIDTH	MINIMUM NICHE WIDTH WITH PORTAL
BS899: 900 (35 1/2")	BS899: 903 (35 3/8")
BS749: 750 (29 5/8")	BS749: 753 (29 3/4")
BS599: 600 (23 3/4")	BS599: 603 (23 7/8")

Minimum Niche Depth

650 mm (25 5/8")

Door Swing Clearance

BS899: 1485 mm (58 1/2")

BS749: 1335 mm (52 5/8")

BS599: 1185 mm (46 5/8")

Door Opening Angle

105°

Width *

BS899: 899 mm (35 3/8")

BS749: 749 mm (29 1/2")

BS599: 599 mm (23 5/8")

Height

2050 mm (80 3/4") + 25 mm (1")

Depth with door (without panel)

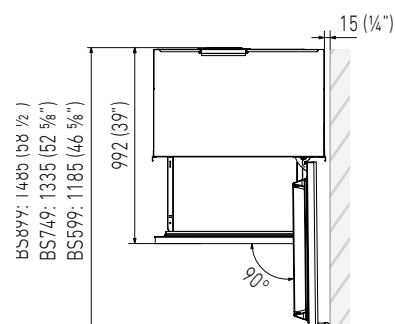
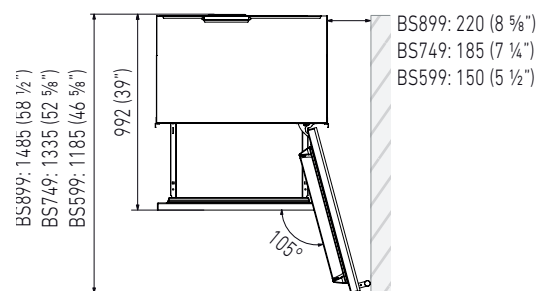
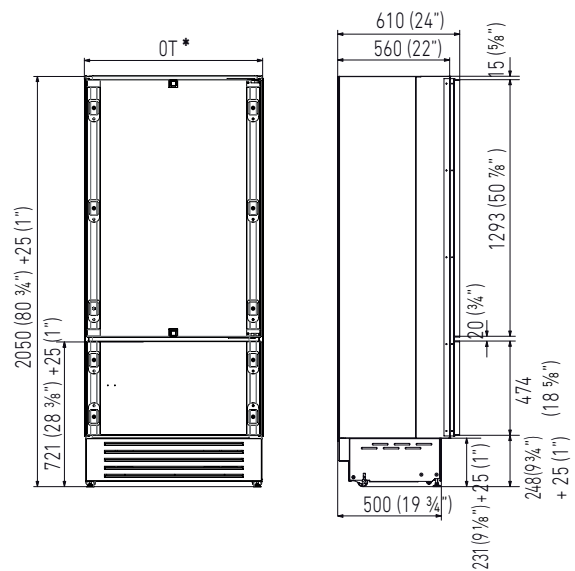
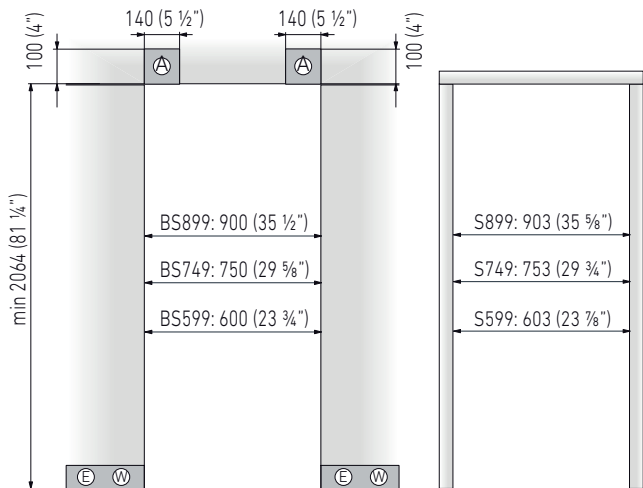
610 mm (24")

Minimum distance from the wall (hinge side) with door at 105° and 90°, with 18mm (3/4") panel and handle h=58mm (2 1/4").

BS899: 220 mm (8 5/8")

BS749: 185 mm (7 1/4")

BS599: 150 mm (5 1/2")



2.10. Installation niche features: Brilliance-Classic Series

A - area to be left clear for the anti-tipping brackets

E - area to be left clear for the power supply cable

W - Water supply hose



Dimensions in parentheses are in inches.

Minimum Niche Height

2064 mm (81 1/4")

Minimum Niche Width

BKS899: 900 mm (35 1/2")

BKS749: 750 mm (29 5/8")

BKS599: 600 mm (23 3/4")

Minimum Niche Depth

650 mm (25 5/8")

Door Swing Clearance

BKS899: 1475 mm (58 1/8")

BKS749: 1325 mm (52 1/8")

BKS599: 1175 mm (46 1/4")

Door Opening Angle

105°

Width *

BKS899: 899 mm (35 3/8")

BKS749: 749 mm (29 1/2")

BKS599: 599 mm (23 5/8")

Height

2050 mm (80 3/4") + 25 mm (1")

Depth with door

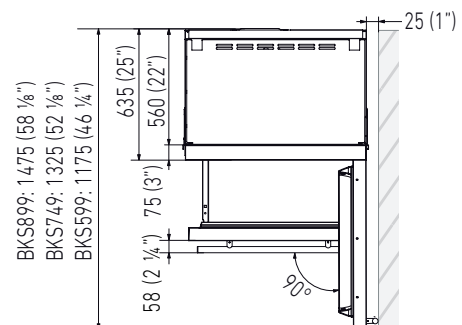
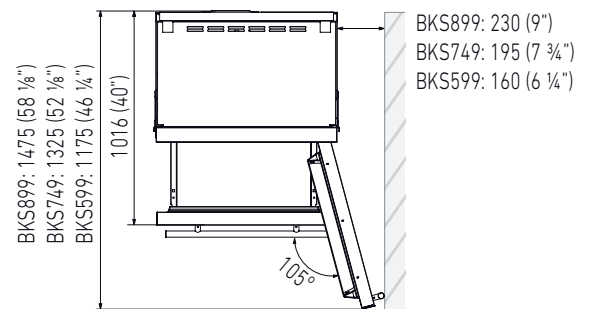
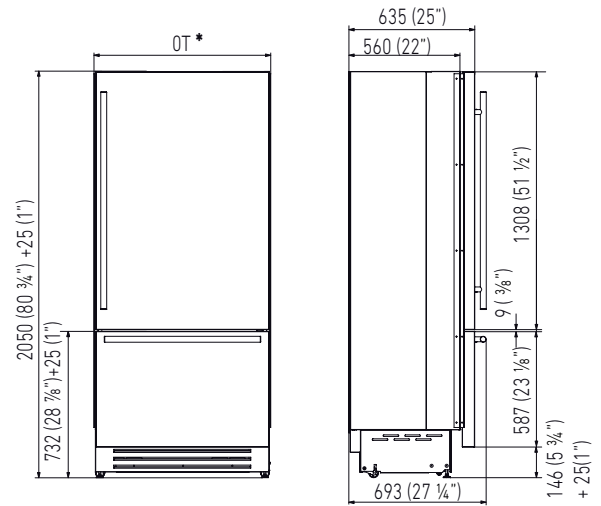
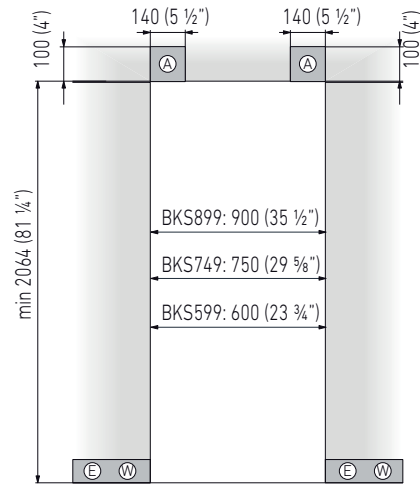
635 mm (25")

Minimum distance from the wall (hinge side) with door at 105° and 90°.

BKS899: 230 mm (9")

BKS749: 195 mm (7 3/4")

BKS599: 160 mm (6 1/4")



3. PREPARING TO INSTALL

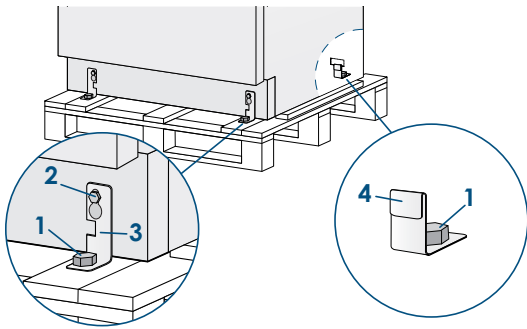
3.1. Transport to installation site and unpacking



The appliance is very heavy. Take maximum care during handling to avoid injury.



Transport the appliance in a vertical position, never on its front.



Since this is a large and heavy appliance, before transporting the appliance, check the access to the location where it will be installed (door size, manoeuvring space in stairwells, etc.). The appliance is attached to the base of the packaging (pallet) through four bolts which can be removed using a 17 mm (3/4") wrench. It is recommended to use a manual transporting device to move the appliance to the installation site, and only at this point to remove the base of the packaging.

The appliance should always be transported in an erect position. If this is not possible, transport the appliance laying on its rear side.

Once at the installation site, the appliance, which is equipped with four wheels, can be taken off the pallet and positioned in the installation area.

Operate as follows:

- Unscrew the four bolts [1] securing the appliance to the pallet by means of a 17 mm (3/4") open spanner and remove the fixing brackets [3] and [4].
- To remove the front fixing bracket [3] unscrew for one or two turns the rear wheel adjusting bolt [2] by means of a 13mm (1/2") spanner, taking care not to force the nut to avoid any damage to the feet levelling adjusting system.
- From the back of the unit and by means of a suitable, high duty hand trolley, take off the appliance and place it on the floor. Pay the utmost care to avoid any damage to the floor. Particularly delicate floors should be protected with hardboard, plywood or other suitable material.



3.2. Electrical and Water connection

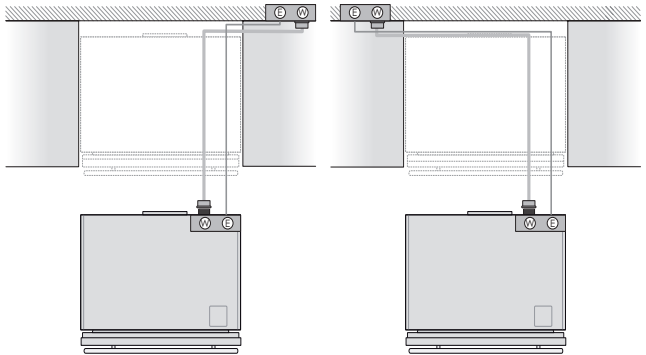


The Built-in Fhiaba filter CANNOT make it safe to drink any water which is NOT suitable for human consumption.



The appliance should be connected only to a drinkable water supply system.

Do not use extension cords or adapters. If there is a need to turn off the main tap, first deactivate the Ice Maker  through the Fhiaba Access  Menu (refer to the User Manual).



A Schuko 16 A socket with an efficient grounding should be made available for the electrical mains connection, as well as an omnipolar switch which can easily be reached when the appliance is installed.

To connect to the water supply system (for appliances equipped with ice makers) a tap with a male 3/4" connection should be provided, which must also be easily accessible once the appliance is installed. To connect to the tap, use only the hose included in the Owner's Kit supplied with the equipment.

The appliance is provided with a water supply hose and seal kit which is suitable for high water pressure and complies the Food Regulations. The water filter cartridge, which is provided with the appliance, should be installed according to the accompanying instructions. The water hose can be shaped through heating (max t. 120°C/248°F), without the risk of bottlenecks (max bending radius of 40mm - 1 5/8"). Through heating it can then be restored to its original shape again.

Electrical cord length: 2.0 mt (78 3/4")

Water connection line length: 2.5 mt (98 3/8")

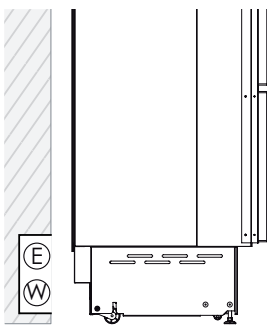
ELECTRICAL CONNECTION

Operate as follows:

INTEGRATED, CLASSIC, X-PRO, COUNTRY SERIES

- > Unwind the electric cable and connect it directly to the wall socket.
- > Make sure the appliance is in Stand-by and all lights are off; should this not be the case, press the ON/OFF Ⓞ button to switch the appliance off.

INTEGRATED - CLASSIC SERIES



X-PRO - COUNTRY SERIES

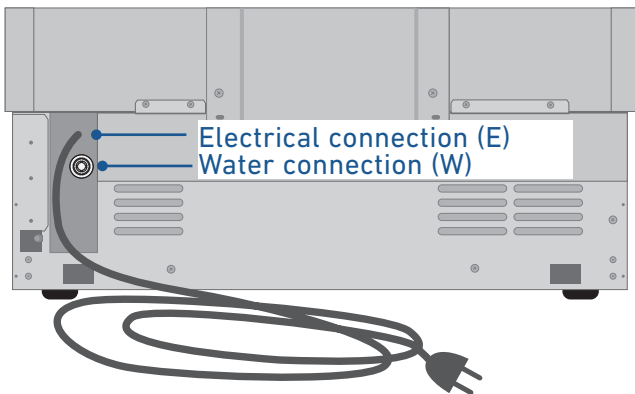
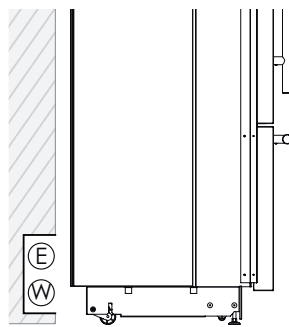


fig.1 Back of appliance
INTEGRATED and CLASSIC Series

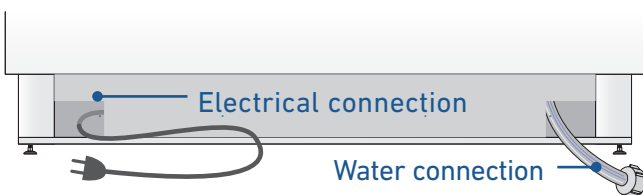


fig. 2 Back of appliance
X-PRO and COUNTRY Series

WATER CONNECTION

Operate as follows:

INTEGRATED AND CLASSIC SERIES

- > Fit one end of the water hose onto the connector at the appliance's back [1].
- > Fit the other end of the hose to the water tap, use the gaskets provided in the Owner's Kit [2].

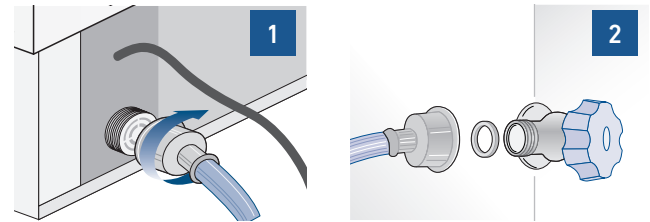


fig. 3 Water connection
INTEGRATED and CLASSIC Series

X-PRO AND COUNTRY SERIES:

- > Connect the water line to the threaded connection at the base of unit [1], as in figure 3.
- > Fit the hose to the water tap, use the gaskets provided in the Owner's Kit [2].

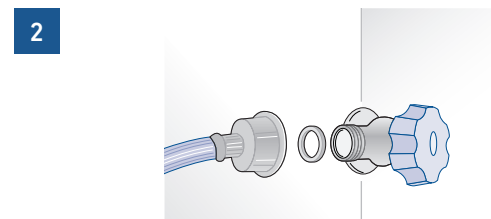
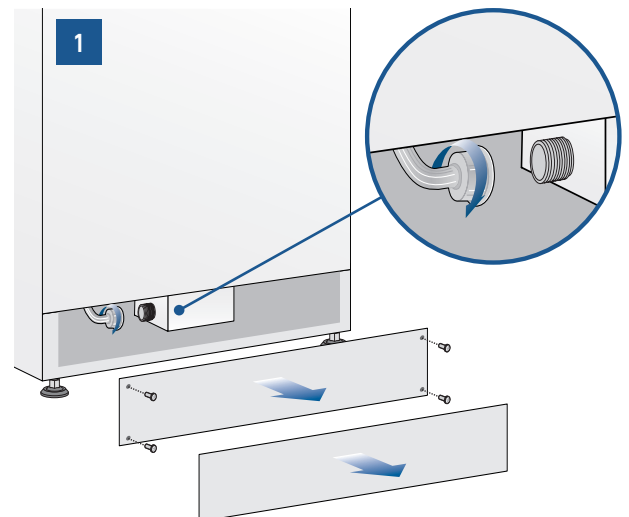
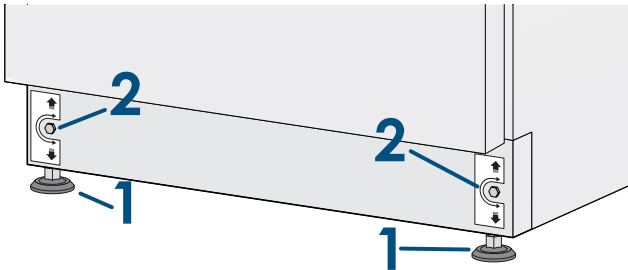


fig. 4 Water connection
X-PRO and COUNTRY Series

4. PANELS MOUNTING

3.3. Levelling

Adjust the appliance level by means of the front levelling feet and the rear adjustable wheels.



Operate as follows:

- > After removing the bottom panel (it is kept in position by magnets), adjust the height of the levelling feet **[1]** by means of a 17 mm (3/4") open spanner.
- > Then adjust the height of the rear wheels by turning the front adjusting nuts **[2]** with a 13 mm (1/2") spanner.
- > Refit the bottom panel.

4.1. Decorative door and bottom-drawer panel layout

INTEGRATED SERIES

The dimensions of the panels are indicated in the table and drawings on next pages.

Nevertheless, according to the requirements for aligning with other kitchen structures, the door panel can be higher than the upper edge of the refrigerator door, and the drawer panel can be lower than the edge of the drawer.

The panels must be mounted using special braces which attach to adjustable devices provided on the door and drawer and with brackets that anchor and adjust the panel's vertical direction.

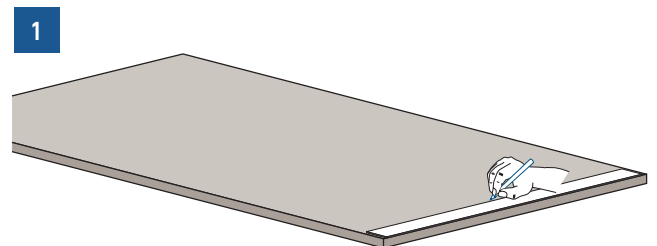
Braces, brackets and fixing screws are provided with the appliance and must be applied to the panel as indicated.

Operate as follows:

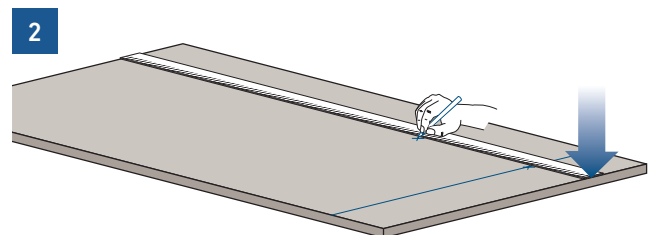
To prepare the panels to be mounted on the appliance, follow these steps, working on the back of the panel. We recommend fitting the brackets before the handle.

Door Panel

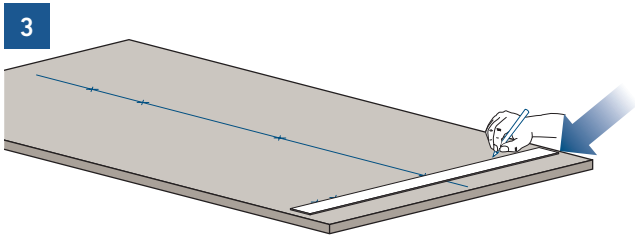
- > Trace a line dividing the panel vertically into two equal parts **[1]**.



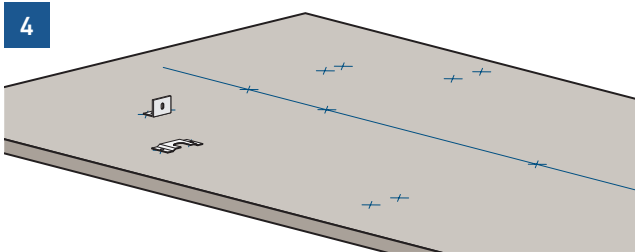
- > Starting from the bottom edge of the panel, mark the height where the holes **[2]** must be drilled.



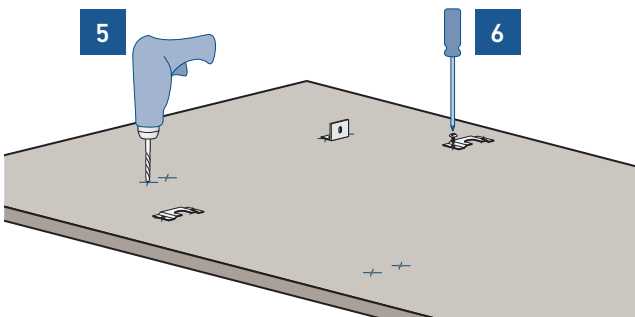
> Following the corresponding table, mark the external and then the internal hole [3].



> Position the brackets on each set of marks to make sure they are aligned [4], then drill holes through the panel (pay close attention to the panel's thickness) [5].

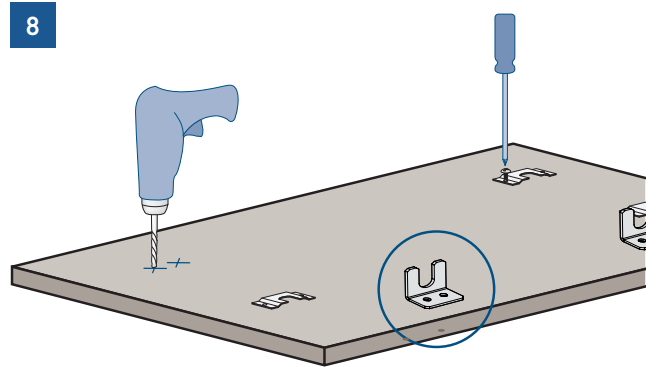
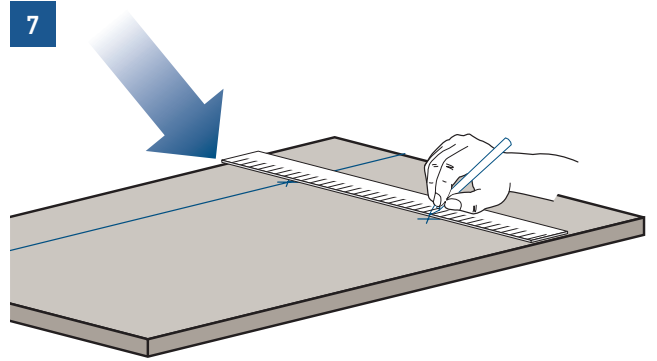


> Screw the brackets in place [6].



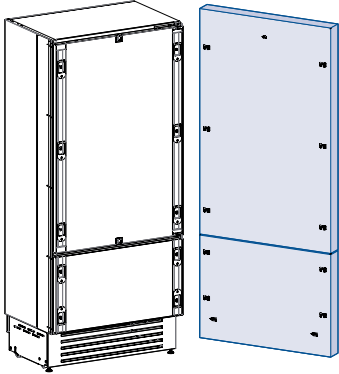
Drawer Panel

> To assemble the drawer panel, refer to the assembly of the door panel, but make sure the measurements are taken starting from the top edge of the panel and not for the bottom edge as for the door [7] and the bracket faces the opposite way of the door [8].

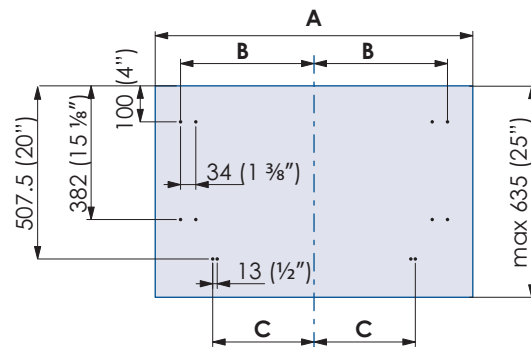
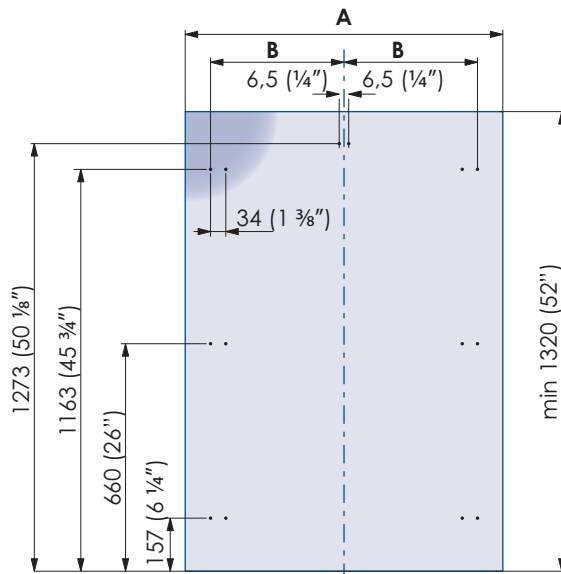
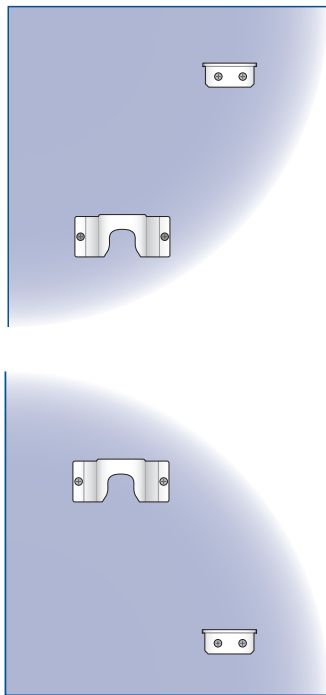


4. PANELS MOUNTING

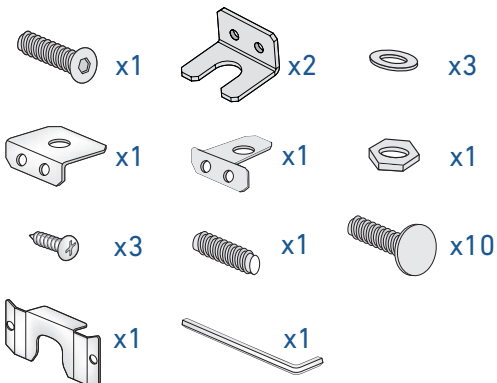
4.2. Decorative panels layout for Fridge with one bottom-drawer (1T/0T)



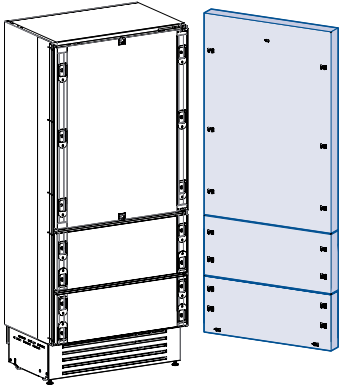
	SERIES 899	SERIES 749	SERIES 599
A	897 (35 1/4")	747 (29 3/8")	597 (23 1/2")
B	417 (16 3/8")	342 (13 1/2")	276.5 (10 7/8")
C	354.5 (14")	279.5 (11")	203.5 (8")



B04000100 Built-in kit

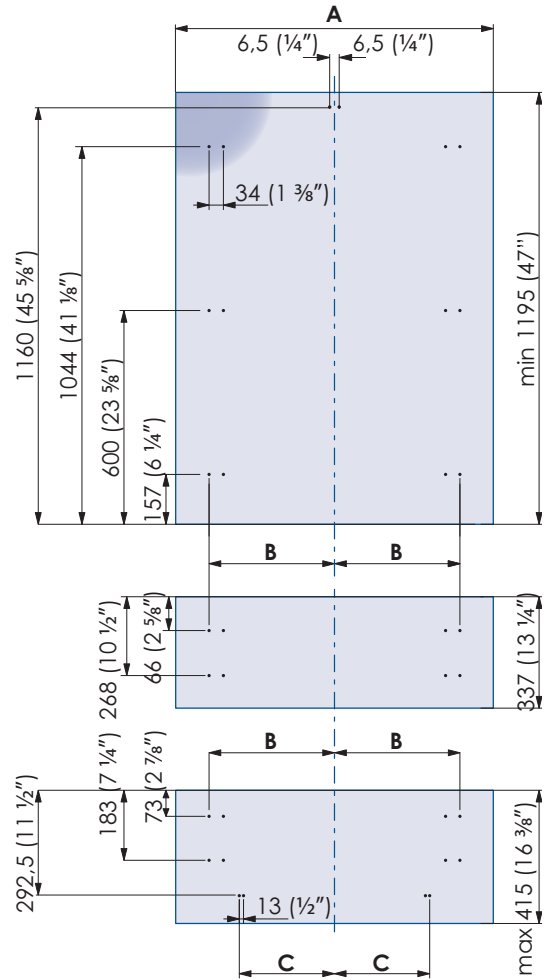
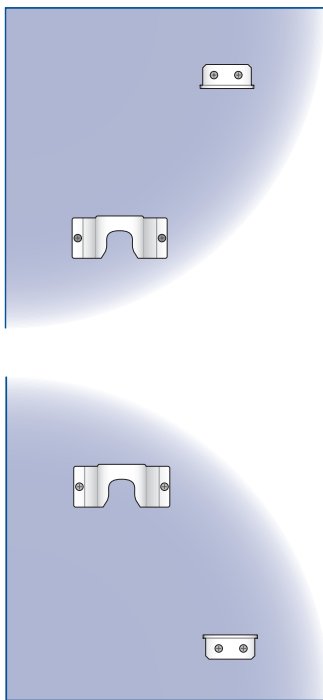


4.3. Decorative panels layout for Fridge with two bottom-drawers (0H)

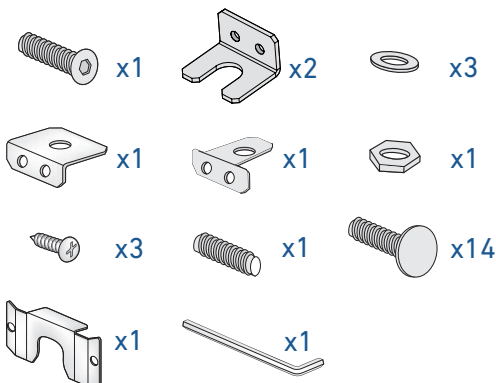


	SERIES 899	SERIES 749
A	897 (35 1/4")	747 (29 3/8")
B	417 (16 3/8")	342 (13 1/2")
C	354.5 (14")	279.5 (11")

Holes positions:

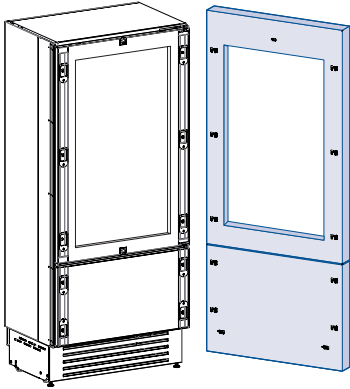


B04000200 Built-in kit



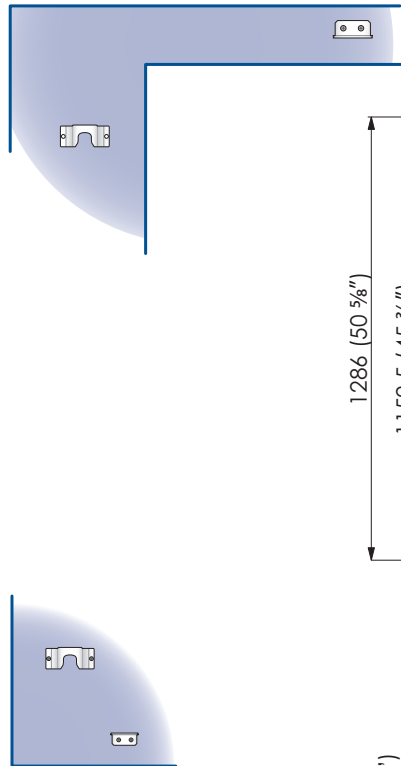
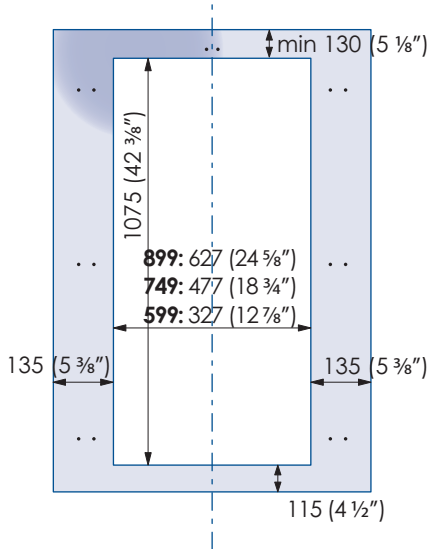
4. PANELS MOUNTING

4.4. Decorative panels layout for Fridge with Glass door and one bottom-drawer (1T/0T)

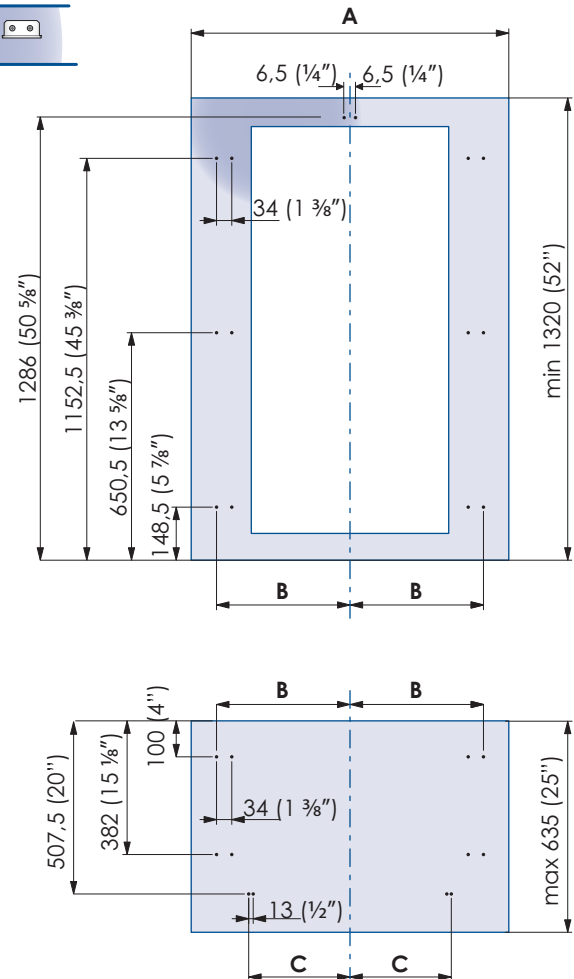


	SERIES 899	SERIES 749	SERIES 599
A	897 (35 1/4")	747 (29 3/8")	597 (23 1/2")
B	417 (16 3/8")	342 (13 1/2")	276.5 (10 7/8")
C	354.5 (14")	279.5 (11")	203.5 (8")

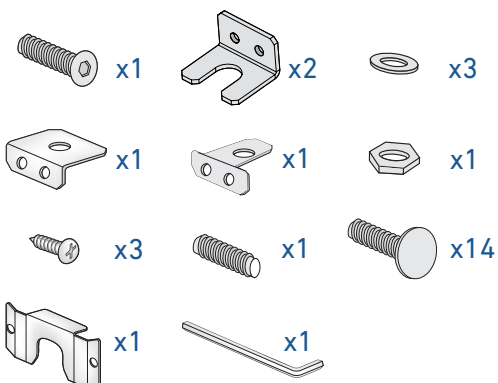
Door window dimensions:



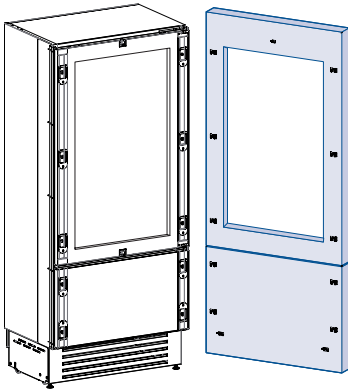
Holes positions:



B04000200 Built-in kit

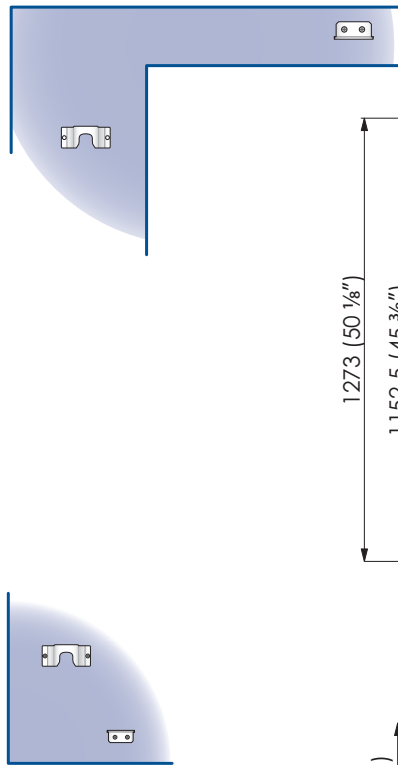
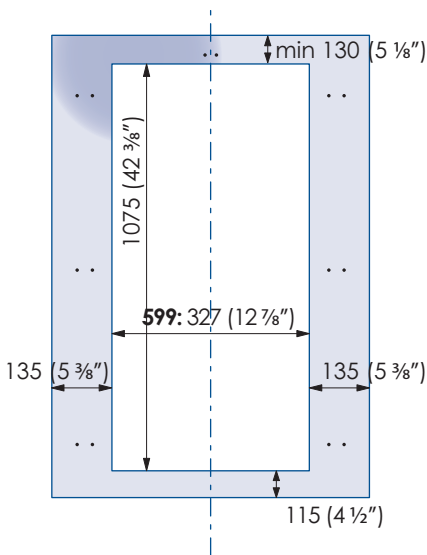


4.5. Decorative panels layout for Fridge with Brilliance glass door

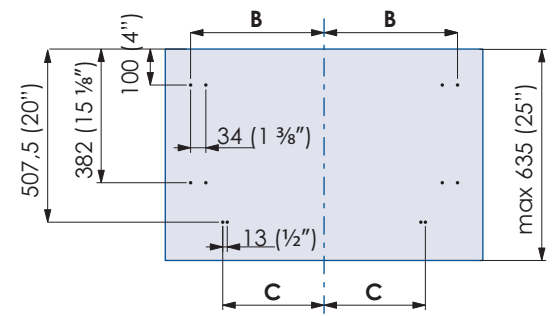
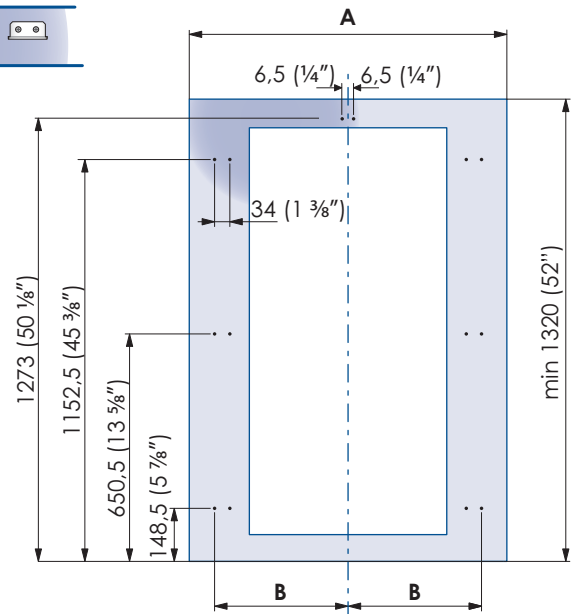


SERIES 599	
A	597 (23 1/2")
B	276.5 (10 7/8")
C	203.5 (8")

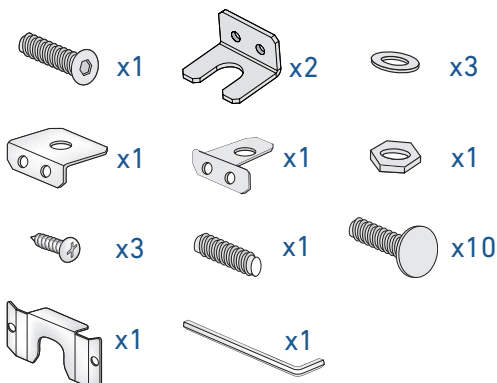
Door window dimensions:



Holes positions:

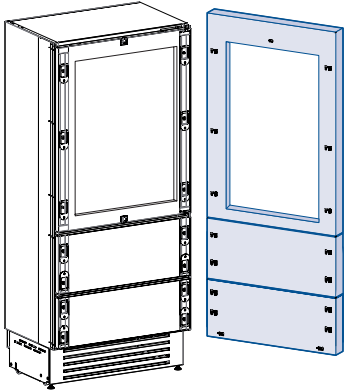


B04000100 Built-in kit



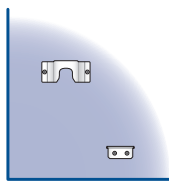
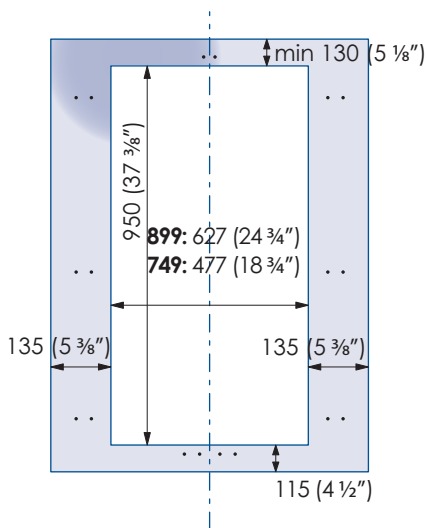
4. PANELS MOUNTING

4.6. Decorative panels layout for Fridge with glass door and two bottom-drawers (0H)

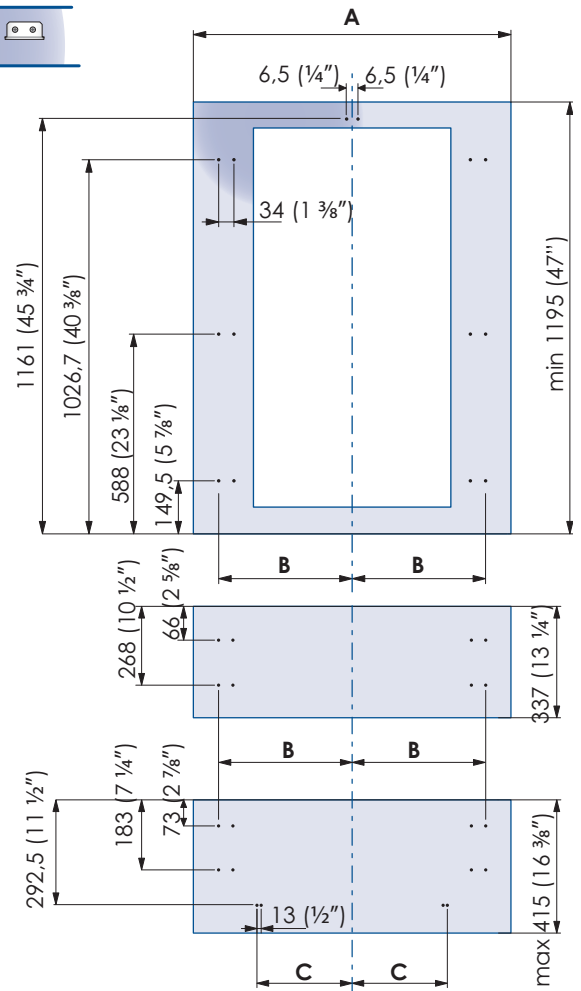


	SERIES 899	SERIES 749
A	897 (35 1/4")	747 (29 3/8")
B	417 (16 3/8")	342 (13 1/2")
C	354.5 (14")	279.5 (11")

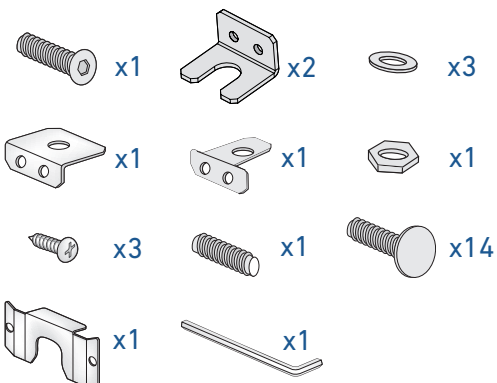
Door window dimensions:



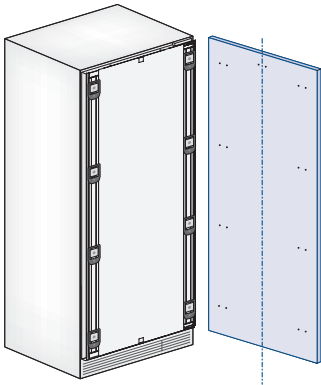
Holes positions:



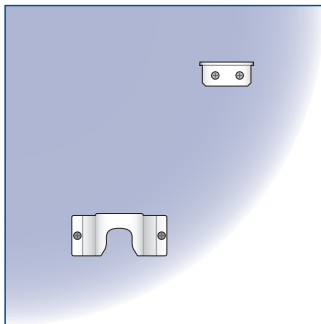
B04000200 Built-in kit



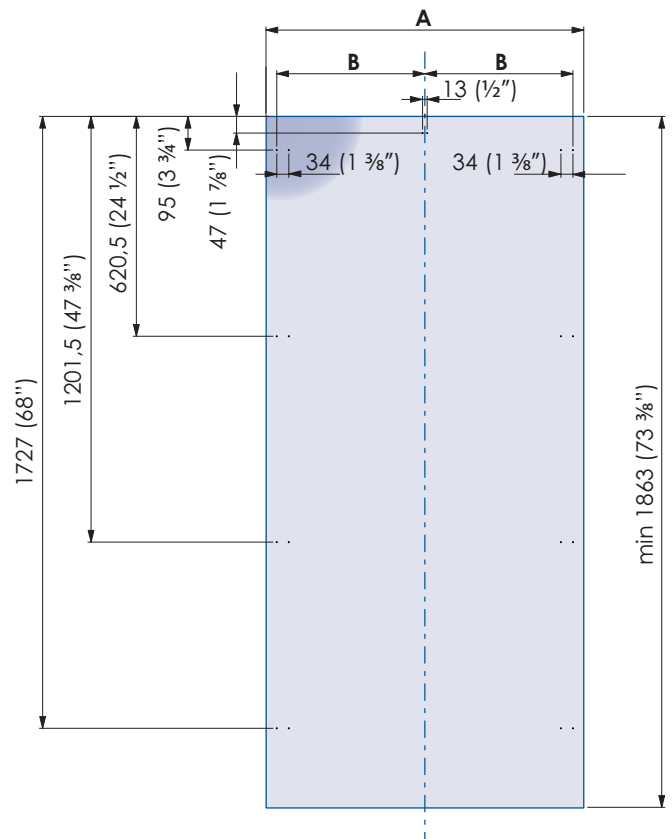
4.7. Decorative panels layout for column Fridge (OF)



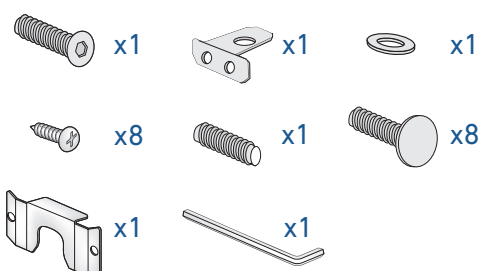
	SERIES 899	SERIES 749	SERIES 599	SERIES 449
A	897 (35 1/4")	747 (29 3/8")	597 (23 1/2")	447 (17 5/8")
B	418 (16 1/2")	343 (13 1/2")	276.5 (10 7/8")	200 (7 7/8")



Holes positions:

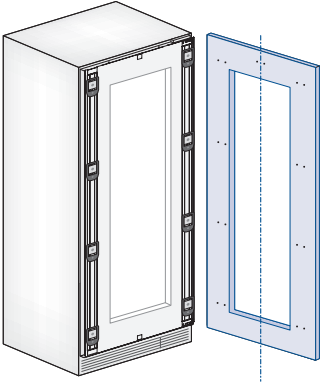


B04009000 Built-in kit



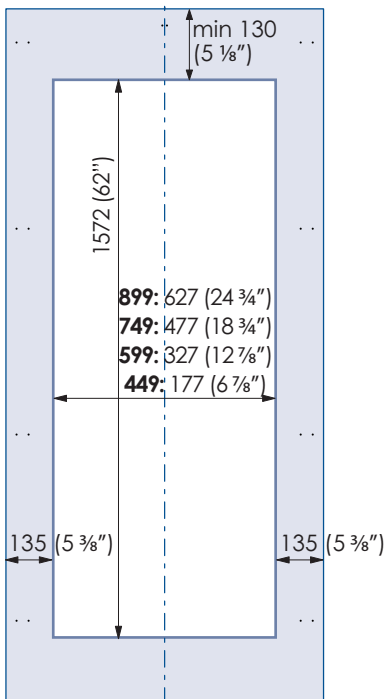
4. PANELS MOUNTING

4.8. Decorative panels layout for column fridge with Glass door (0F)

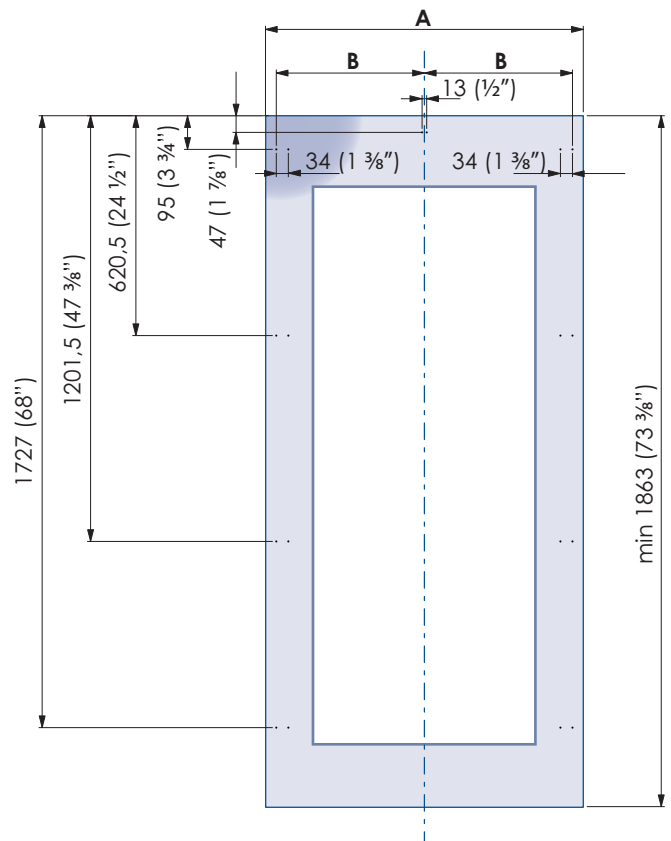


	SERIES 899	SERIES 749	SERIES 599	SERIES 449
A	897 (35 1/4")	747 (29 3/8")	597 (23 1/2")	447 (17 5/8")
B	418 (16 1/2")	343 (13 1/2")	276.5 (10 7/8")	200 (7 7/8")

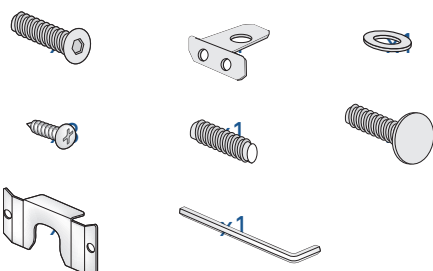
Door window dimensions:



Holes positions:



B04009000 Built-in kit

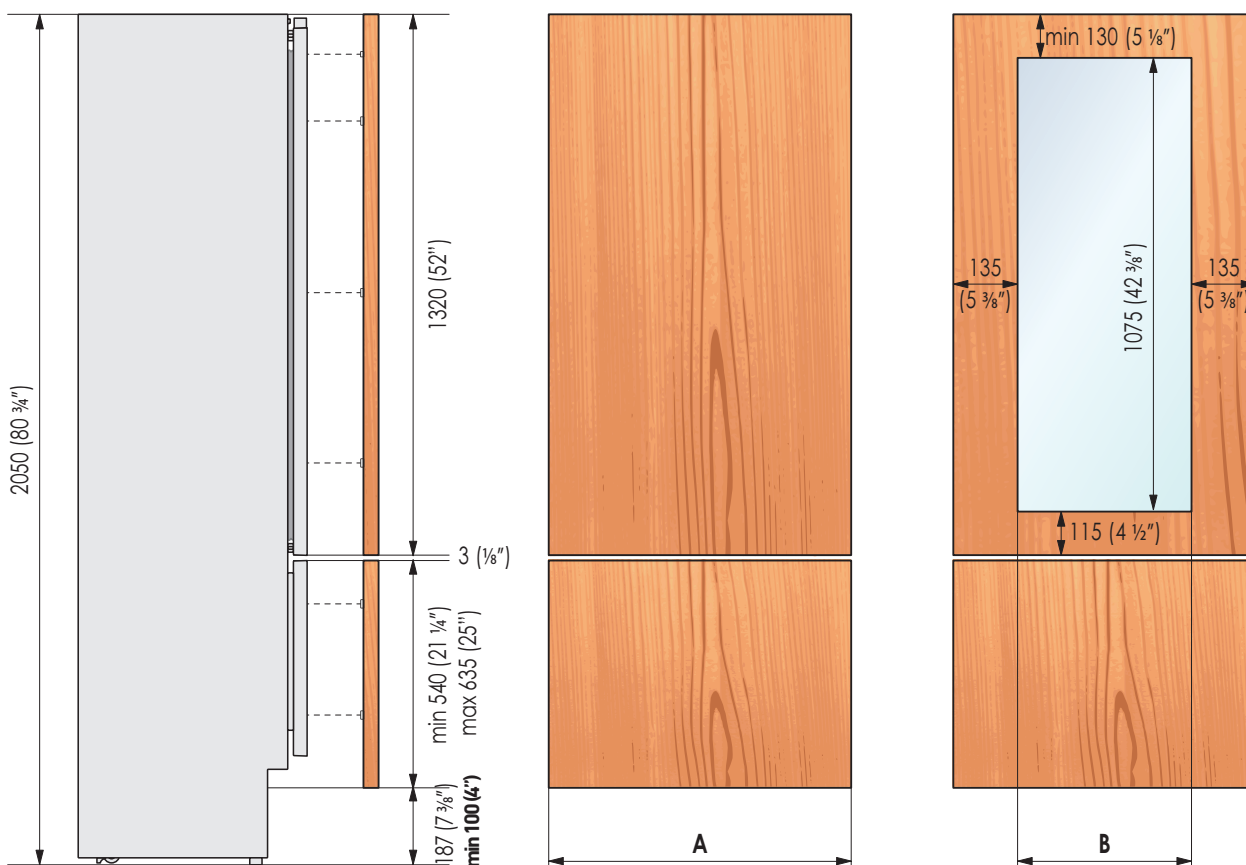


4.9. Panels dimensions of one bottom-drawer models (1T/0T)

Panels with width ranging between 18 mm (3/4 in) and 28 mm (1 1/8 in). Door panels with weight max of 23 kg (51 lb) and drawer panels with weight max of 11kg (25 lb).

Provide installation of decorative panels during installation of the unit.

SERIES	DOOR AND BOTTOM-DRAWER WIDTH A	DOOR CUTOUT WIDTH B
899	897 (35 1/4")	627 (24 3/4")
749	747 (29 3/8")	477 (18 3/4")
599	597 (23 1/2")	327 (12 7/8")



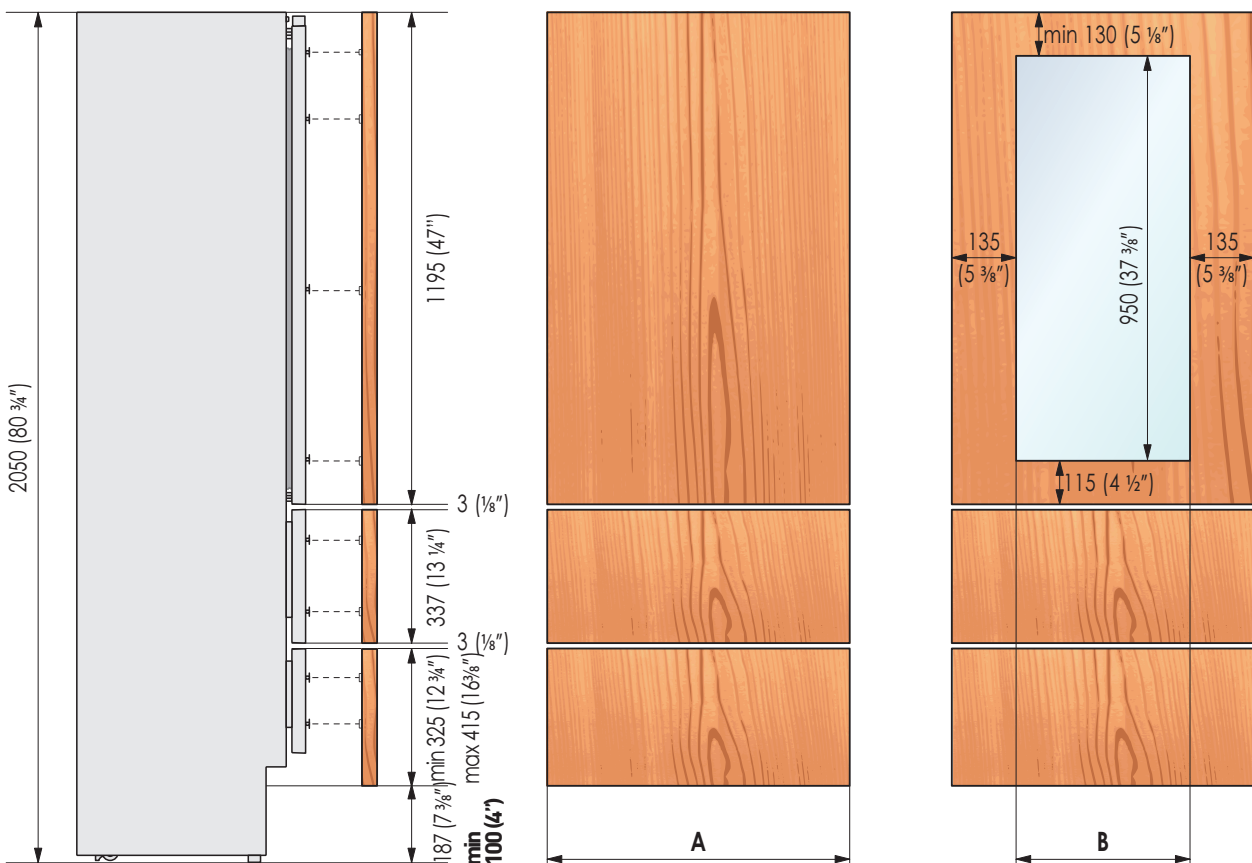
4. PANELS MOUNTING

4.10. Panel dimensions of two bottom-drawers models (0H models)

Panels with width ranging between 18 mm (3/4 in) and 28 mm (1 1/8 in). Door panels with weight max of 23 kg (51 lb) and drawer panels with weight max of 11kg (25 lb).

Provide installation of decorative panels during installation of the unit.

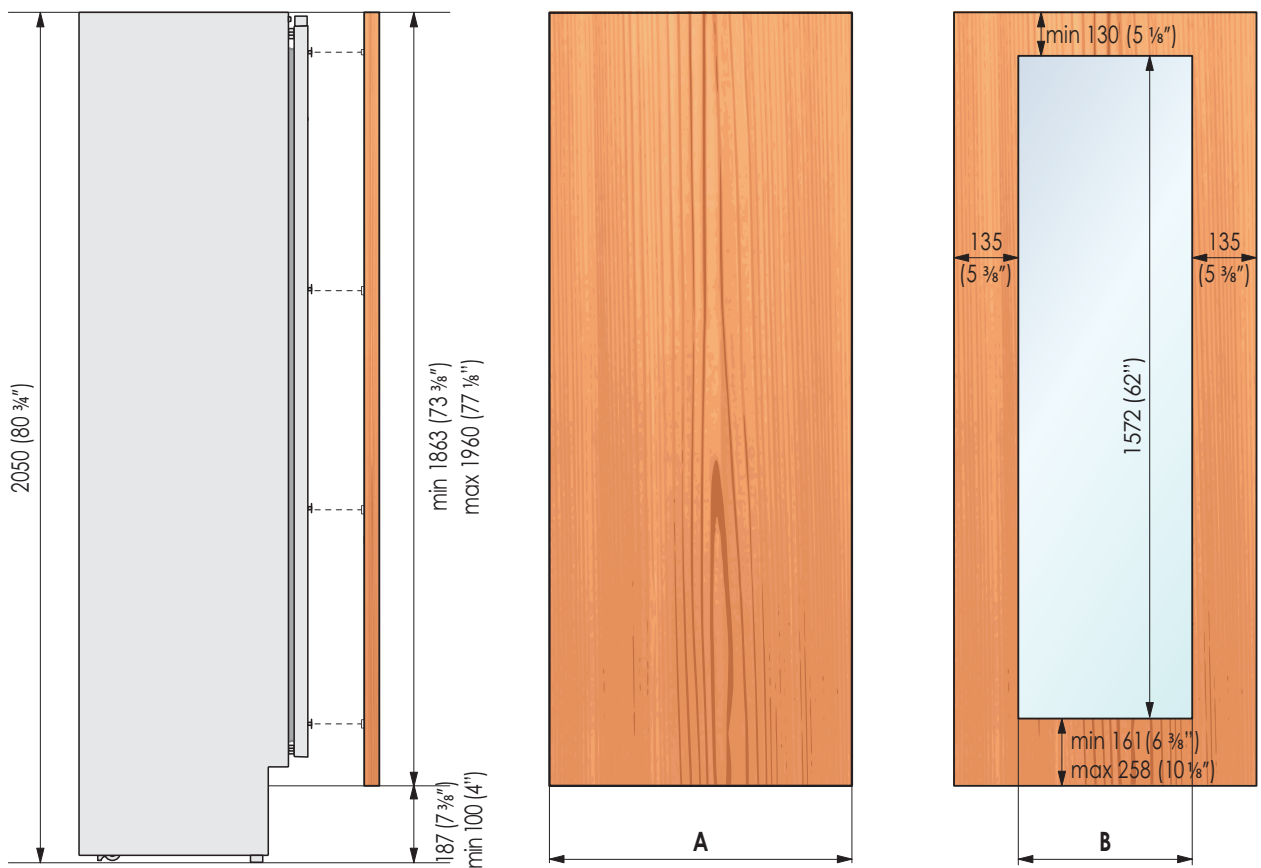
SERIES	DOOR AND BOTTOM-DRAWER WIDTH A	DOOR CUTOUT WIDTH B
899	897 (35 1/4")	627 (24 3/4")
749	747 (29 3/8")	477 (18 3/4")
599	597 (23 1/2")	327 (12 7/8")



4.11. Panel dimensions of column models (0F)


Panels with width ranging between 18 mm (3/4 in) and 28 mm (1 1/8 in). Door panels with weight max of 34 kg (75 lb). Provide installation of decorative panels during installation of the unit.

SERIES	DOOR AND BOTTOM-DRAWER WIDTH A	DOOR CUTOUT WIDTH B
899	897 (35 1/4")	627 (24 3/4")
749	747 (29 3/8")	477 (18 3/4")
599	597 (23 1/2")	327 (12 7/8")
449	447 (17 5/8")	177 (6 7/8")



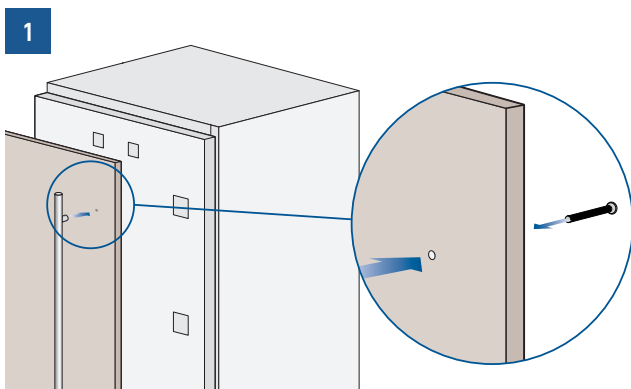
4. PANELS MOUNTING

4.12. Mounting the handles

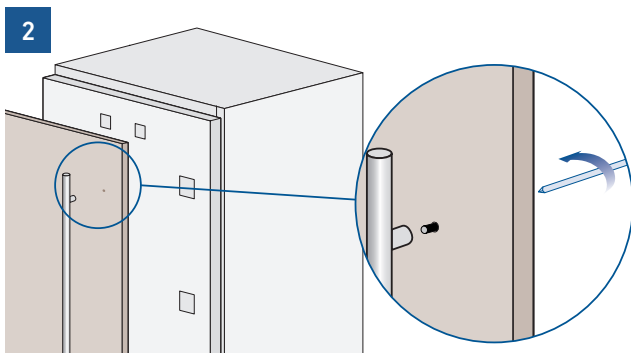
 Handles will have to be mounted on the panels before they are applied to the fridge.

Operate as follows:

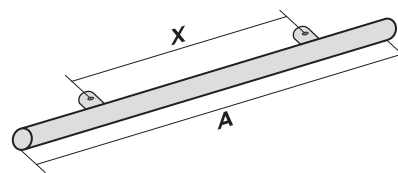
> After drilling two 5 mm (1/4") holes in the rear side of the panels, insert the supplied screws at the distance indicated in the table below. To centre the vertical handle (code HV) in the centre of the door, divide the height of the panel in two and drill a hole at -45 cm (-17 3/4") and one at +45 cm (+17 3/4") **[1]**.



> Position the handle in correspondence with the hole on the front side of the panel; insert the supplied screw from the back of the panel, through the hole screw it to the handle **[2]**.



Use the same procedure for mounting the horizontal handles to the drawers. For the distance measurement, refer to the table below.



ø18 mm	HANDLE PRODUCT CODE			
	HCV	HC8	HC7	HC5
Series	899 - 749 599 - 449	899	749	599
Length A	794 mm (43 1/2")	794 mm (31 1/4")	644 mm (25 3/8")	494 mm (19 5/8")
Distance between fixing points X	480 mm (18 7/8")	480 mm (18 7/8")	490 mm (19 1/4")	340 mm (13 3/8")

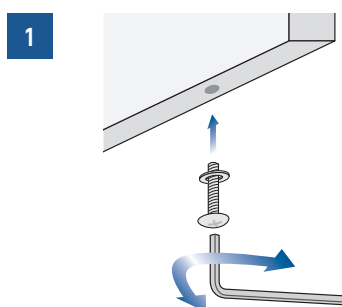
ø30 mm	HANDLE PRODUCT CODE			
	HV	H08	H07	H05
Series	899 - 749 599 - 449	899	749	599
Length A	1104 mm (43 1/2")	794 mm (31 1/4")	644 mm (25 3/8")	494 mm (19 5/8")
Distance between fixing points X	900 mm (35 1/2")	480 mm (18 7/8")	490 mm (19 1/4")	340 mm (13 3/8")

4.13. Mounting panels to the door and the drawer

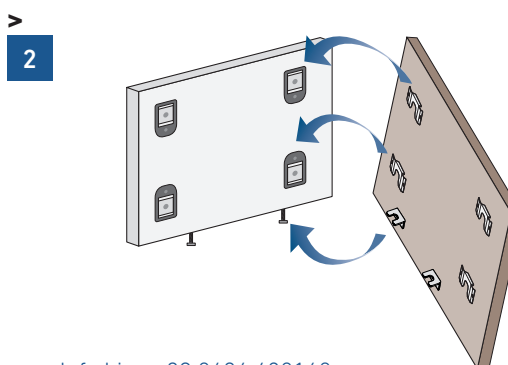
 Once all brackets and small brackets have been applied to the panels, you can begin installing the bottom drawer.

Operate as follows:

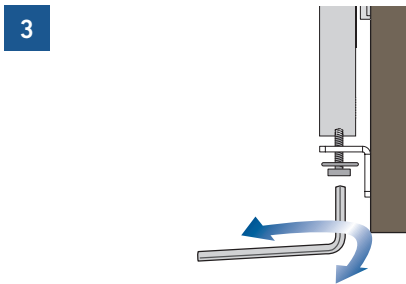
> Partially tighten the bottom screws to fasteners **[1]**.



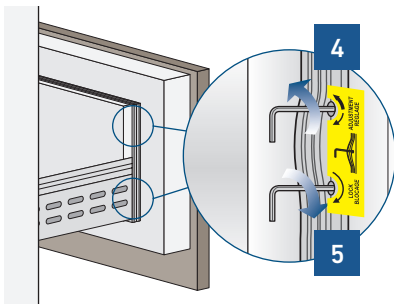
> Hook the panel to the drawer starting from the fixings on the bottom **[2]**.



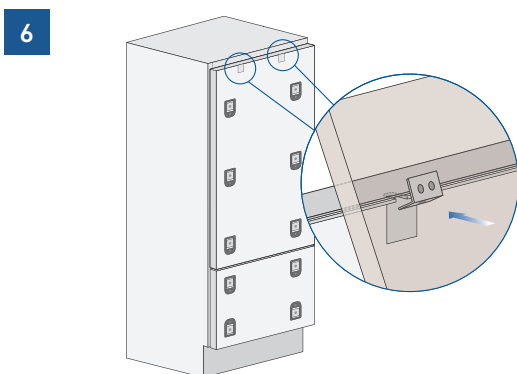
> It is now possible to align the panels to the adjacent cabinets using the lower alignment brackets **[3]** tightening or loosening the screw to the bracket. With the screw slightly tightened, move the panel sideways to align it to the other panels on the unit or other adjacent structures.



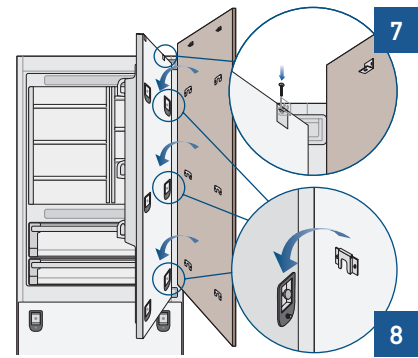
> Depth alignment: working from the inside of the drawer, after lifting up the magnetic seal, adjust the panel position so it is closer to or further away from the door using holes **[4]** and then secure the panel using holes **[5]**.



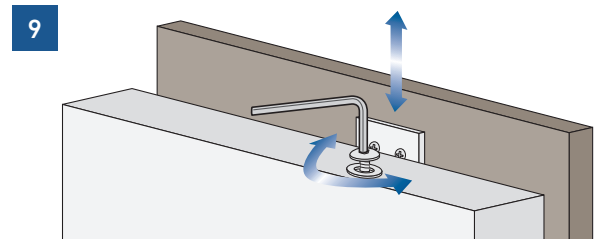
> Hook the panel to the fixing devices starting from the top aligning brackets **[6]**.



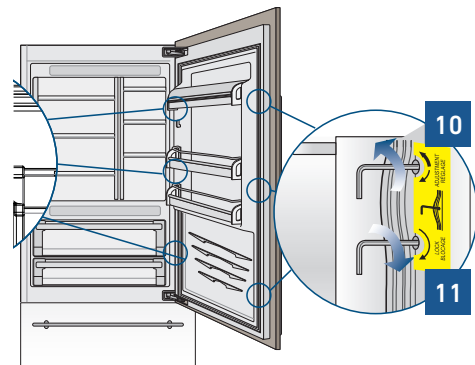
> At this point, alignment between the panel and adjacent cabinets can be adjusted using the alignment brackets **[7]** and **[8]**.




> Vertical alignment: tighten or loosen the screw in the brackets to raise or lower the panel **[9]**.



> Depth alignment: working from the inside of the door, after lifting up the magnetic seal, adjust the panel position so it is closer to or further away from the door using holes **[10]** and then fix the panel in position using holes **[11]**.



 Once the front panel has been adjusted, check that the gasket has been repositioned correctly to assure the door/drawer are closing correctly and avoid operational errors of the unit.

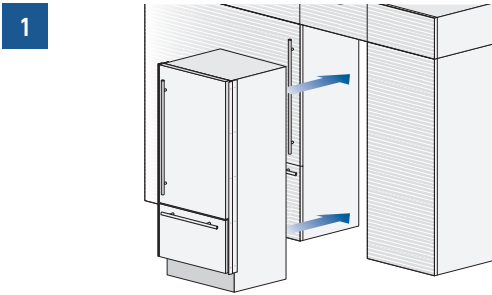
5. INSTALLATION

5.1. Built-in installation of single appliance

Special side profiles and PVC covering frames are provided for closing gaps between the appliance and the adjacent cabinets.

Operate as follows:

- Push the appliance into installation niche **[1]**.

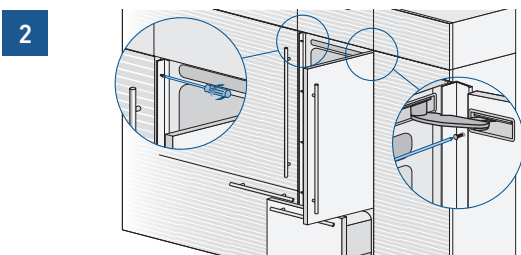


- If the unit is to be installed inside a niche or within an enclosed structure, it is necessary to design a ventilation shaft at the back of the niche to assure proper ventilation at the back of the unit. Always mount front panels on door and drawer before pushing the unit into its final position inside the niche or structure.

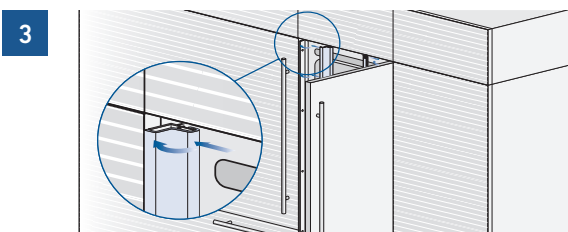
- Check the levelling of the appliance, adjusting its feet and wheels to correct it.

- Secure the appliance to the adjacent cabinets by fixing to these the side profiles previously mounted on the appliance **[2]**.

To make this operation easier keep the door and the drawer open.

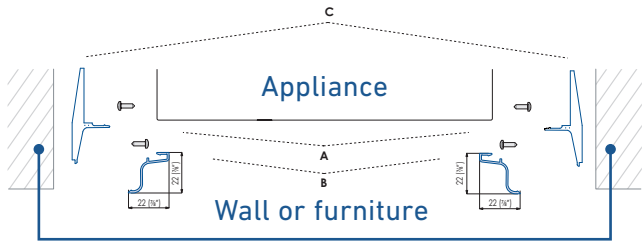


- Mount the covering frames on the profiles, first insert them laterally **[3]** and then push firmly until a "click" is heard.



Use the same procedure for mounting the horizontal handles to the drawers. For the distance measurement, refer to the table below.

Side profiles mounting:



A Side connection profile in PVC.

C plastic connection support (alternative)

B Side covering frame

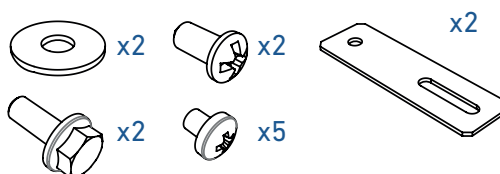
5.2. Built-in installation

Required accessories to be ordered separately:

- Central connection kit (KCC)

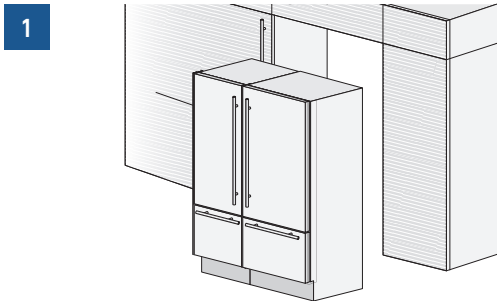
 Special side profiles and PVC covering frames are provided for closing gaps between the appliance and the adjacent cabinets.

B04017900 Union kit



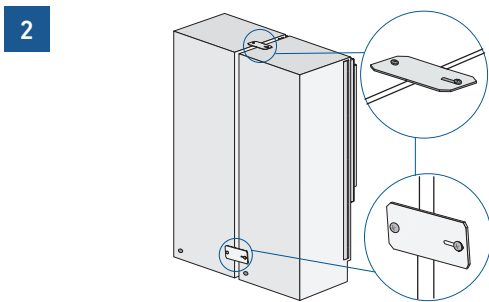
Operate as follows:

> Position the appliances in front of the installation area **[1]** leaving enough space to operate at their back.

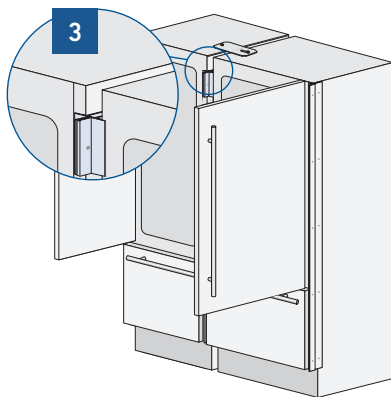


Move to the rear of the appliances to mount the joining brackets.

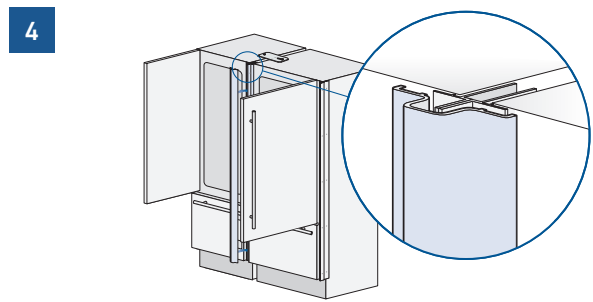
> Fasten one side of the upper and lower bracket first on one of the two appliances and then on the other **[2]**.



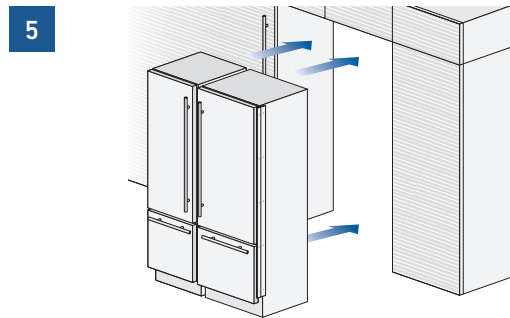
> Place the two units side by side and join them at the front attaching the profiles with the supplied screws **[3]**.



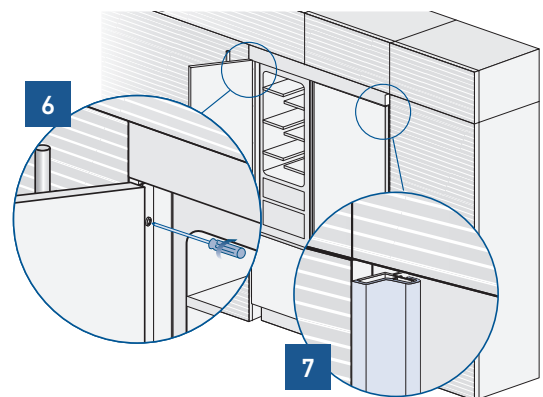
> Finish off by mounting the central cover frame, by pushing it until a click is heard **[4]**.



> Push the connected units in their final position **[5]**.
 > If the units are to be installed inside a niche or within an enclosed structure, it is necessary to design a ventilation shaft at the back of the niche to assure proper ventilation at the back of the unit of about 20mm. Always mount front panels on door and drawer before pushing the unit into its final position inside the niche or structure.
 > Check the levelling of the appliance, adjusting its feet and wheels to correct it.

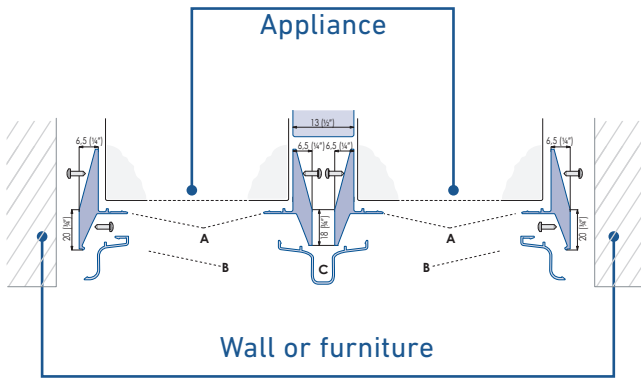


> Secure the appliance to the adjacent cabinets by fixing to these the side profiles **[6]**. To make this operation easier keep the door and the drawer open.
 > Mount the covering frames **[7]** onto the profiles, first insert them laterally and then push firmly until a "click" is heard (exactly as in the installation of a single appliance).



5. INSTALLATION

Side profiles mounting:



- A - Side connection profile in PVC.
- B - Aluminium covering frame
- C - Central covering frame in aluminium.

5.3. Installation with stainless steel door

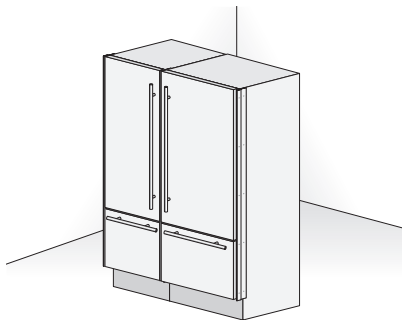
Required accessories to be ordered separately:

- > Central connection kit (KCC)
- > Free-standing kit
- > Aluminium profiles can be used to close the spaces between the appliance and adjacent structures.

Operate as follows:

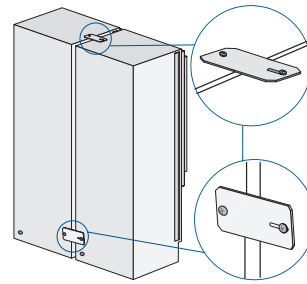
- > Position the appliances in front of the installation area [1], leaving enough space to operate at their back.

1

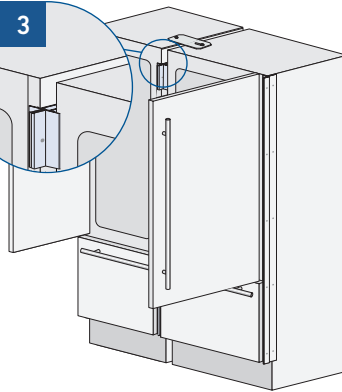


- > Move to the rear of the appliances to mount the joining brackets.
- > Fasten one side of the upper and lower bracket first on one of the two appliances and then on the other [2].

2

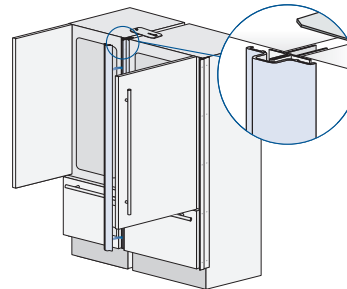


- > Place the two units side by side and join them at the front attaching the two profiles with the supplied rivets [3].



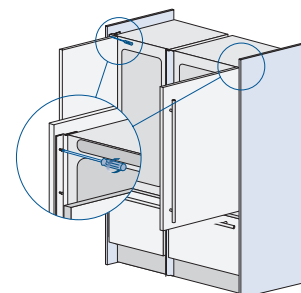
- > Finish off by mounting the central covering frame, by pushing it until a click is heard [4].

4

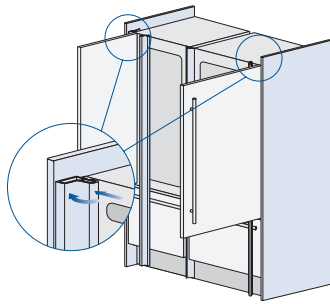


- > Apply the side panels to the appliance by fixing them to the connection profiles [5].
- > Apply the covering frames [6] to the profiles, pressing hard until a click is heard.

5

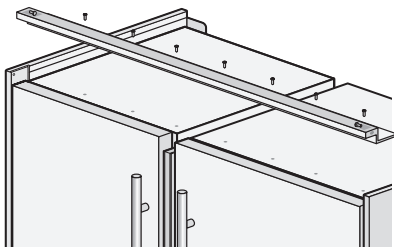


6



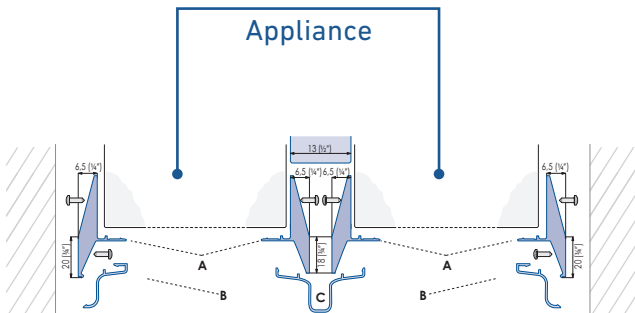
> Mount the top decorative profile [7] on top of the two units and fronts, using the screws provided.

7



> Adjust the height of the unit with the levelling feet and the back adjusting wheels.

Side panels and central profile mounting



- A - Side connection profile in PVC.
- B - Aluminium covering frame.
- C - Central covering frame in aluminium.



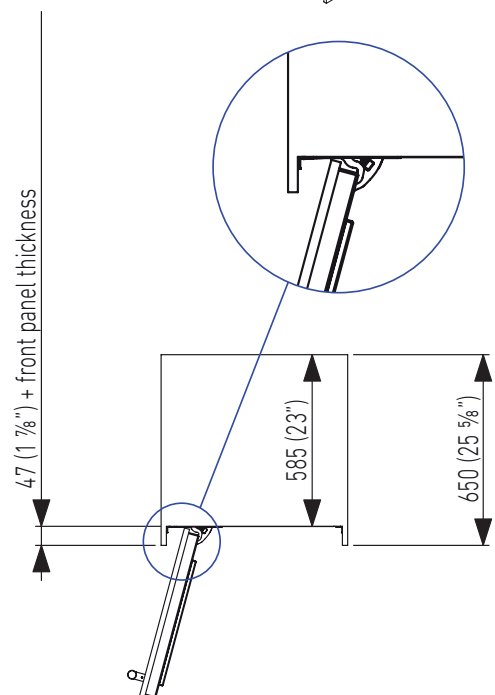
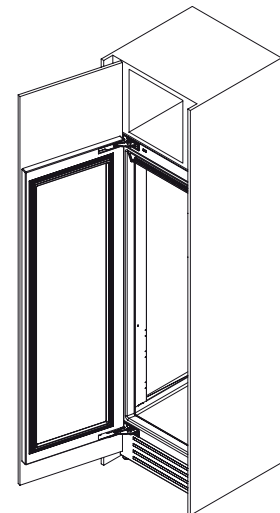
5.4. Maximum body depth over “built-in” refrigerator with “single door” panel

It is possible that the design of the kitchen and, in particular, of the niche where the “built-in” refrigerator is going to be fitted includes a cabinet right above the refrigerator itself that must be closed with the same panel mounted on the built-in refrigerator door.

In this case, the total depth of the cabinet without the door (above the refrigerator) must not exceed the total depth of the refrigerator itself [1].


This will allow the panel attached to the refrigerator door to open correctly without interference during its rotation up to 105°.

1



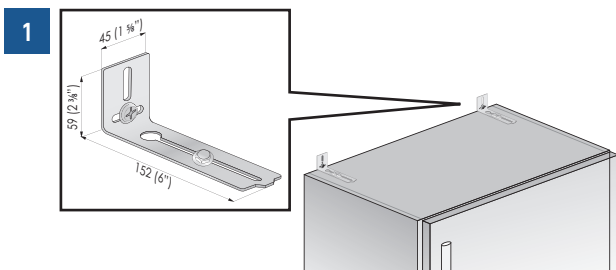
6. COMPLETING THE INSTALLATION

6.1. Anti-tipping safety assembly

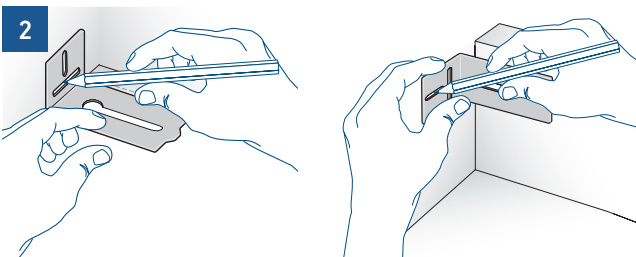
 To prevent the appliance from tipping over when opening the door and drawers with a full load, it is mandatory to install two brackets that secure the upper part of the appliance to the wall.

Operate as follows:

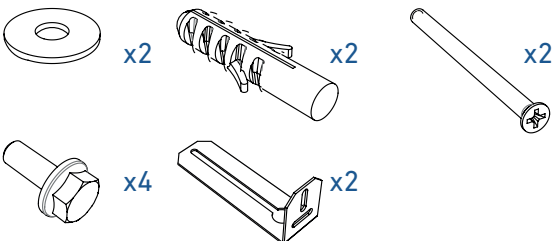
➤ The brackets should be applied as illustrated using the provided screws and expansion plugs. Place a bracket on the top of the appliance in correspondence to the fixing holes and against the wall **[1]**.



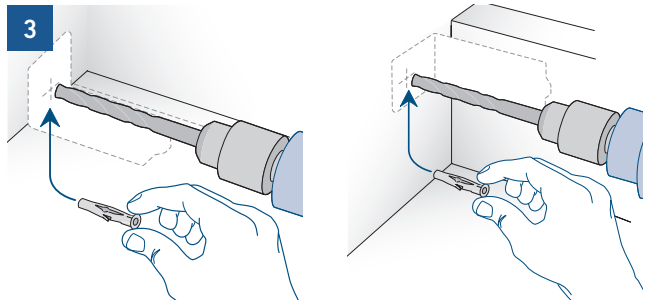
➤ Mark up the holes position with pencil **[2]**.



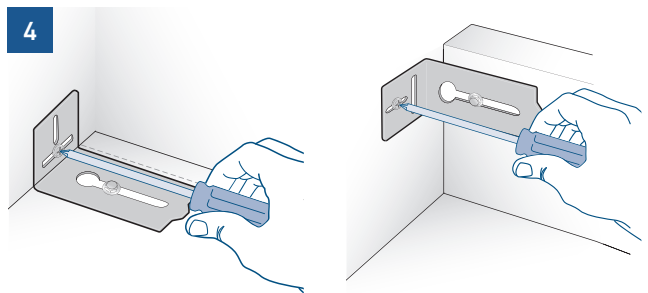
B04000200 Anti-tip kit




➤ Drill the wall with an 8 mm (3/8") bit and insert expansion plug **[3]**.



➤ Reposition the bracket and fix it first to the top of the fridge and then to the wall **[4]**.



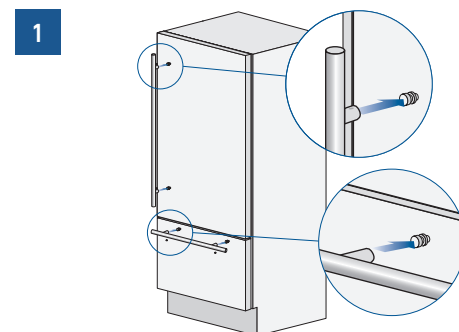
 To avoid danger of the appliance tipping over it is mandatory to secure the appliance to the wall by means of two special brackets.

6.2. Mounting the handles on stainless steel fronts

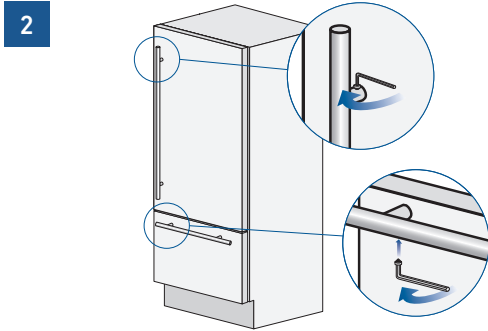
 To mount the handles onto the door and the drawer operate as follows:

Operate as follows:

➤ Insert the handle spacers onto the two supports already available on the door and drawer **[1]**.



> Screw in the cap screws available on the handle [2].



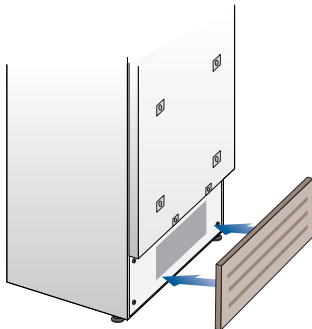
The screws must be tightened in by means of a 2.5 mm (1/8") hex wrench.

6.3. Ventilation and plinth

INTEGRATED AND CLASSIC SERIES:

In the event that the design of the environment provides for the installation of a front plinth to unify the overall view, **it is necessary to use a perforated plinth to ensure proper ventilation of the equipment.**

The drawings below indicate, for each width available in the Integrated series, the size of the area and the percentage of surface to be drilled; the type of drilling (vertical or horizontal grid, for example) remains at the discretion of the designer.



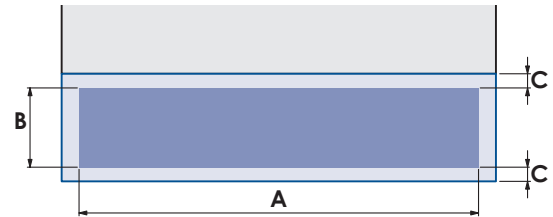
Ventilation is ensured by a forced air system through a grid positioned in the lower part of the appliance. **If a front plinth is provided, it must provide an opening to ensure proper ventilation of the equipment as per drawing.**

The type of drilling of the front plinth (eg vertical or horizontal slots) is at the discretion, however, it must guarantee an open surface equal to 50% of the total.

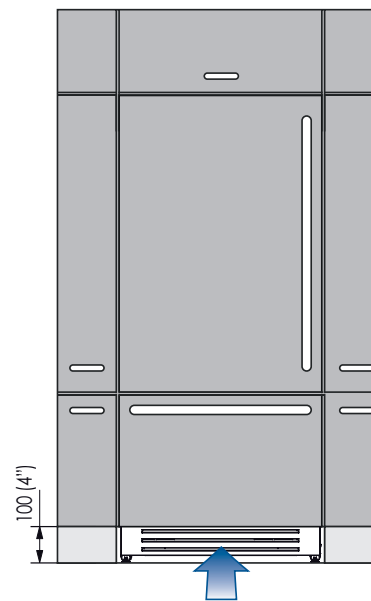
In this case, to further improve ventilation, it is suggested to remove the original grille.

The ventilation grille is magnetically fixed to the equipment and can be easily removed, even by the user, to check and clean the condenser from any accumulation of dust.

The ventilation grille must not be blocked or covered in any way. It also needs to be dusted / cleaned regularly.



	SERIES 899	SERIES 749	SERIES 599	SERIES 449
	860 (33 7/8")	710 (27 15/16")	560 (22")	410 (16 1/8")
A	> 100 (4")			
B	10 (3/8")			
C	min 50%			

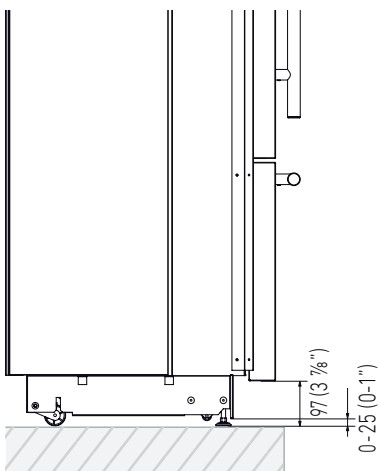


6. COMPLETING THE INSTALLATION

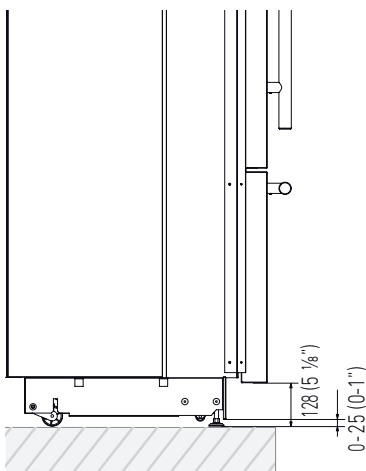
Plinth size

Models	X-Pro (XS)	Country (AS)	Classic (KS)	Integrated (S)	Brilliance Classic (BS)	Brilliance Integrated (BC)
Feet Adjustment	0 - 25 mm (0 - 1")					
Height of the panel from the floor	97 mm (3 7/8")	128 mm (5 1/8")	146 mm (5 3/4")	min 100 mm (3 7/8") max 187 mm (7 3/8")	146 mm (5 3/4")	min 100 mm (3 7/8") max 187 mm (7 3/8")

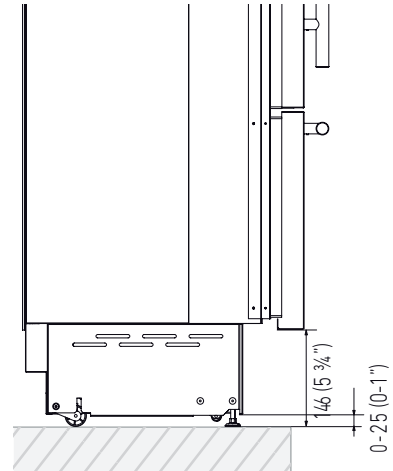
Series: X-Pro



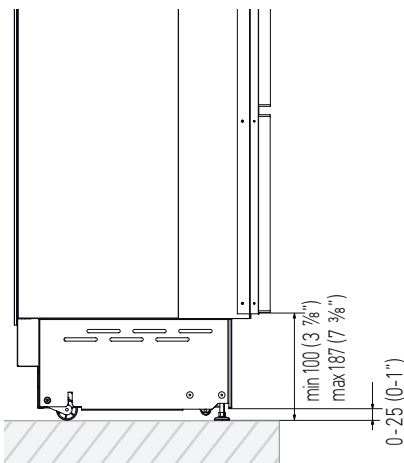
Series: Country



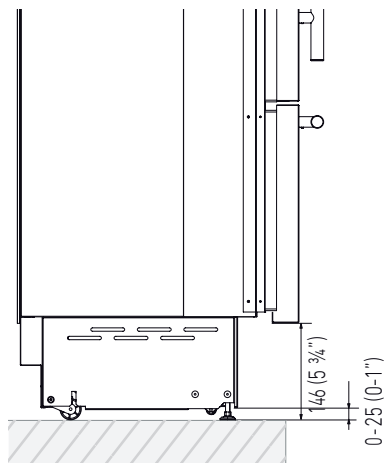
Series: Classic



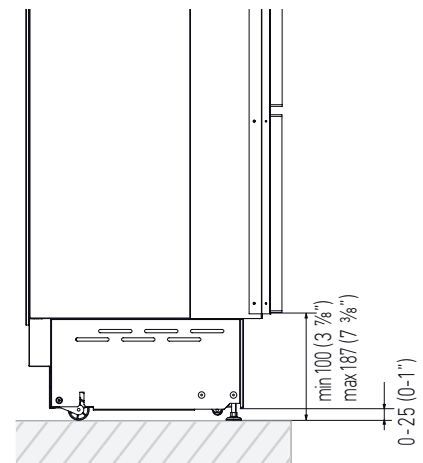
Series: Integrated



Series: Brilliance Classic



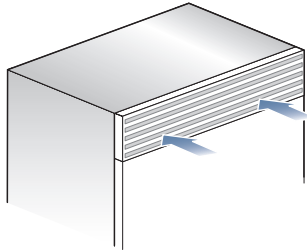
Series: Brilliance Integrated



Based on the adjustment of the feet and the height of the panel from the floor, the customer defines the perforated plinth to be installed on the equipment.

X-PRO:

Ventilation is insured by a forced air system through a grille located in the upper part of the appliance. This grille should never be covered by panels or any other devices that could reduce its efficiency.



6.4. End of installation check

- ✓ Check that the front levelling feet have been properly installed.
- ✓ Check that the connection to the water system does not have any leaks and that the closing tap is easily accessible.
- ✓ Check that the electrical connection is correctly installed and that the multipole switch and socket are easily accessible.
- ✓ Check the perfect alignment of the appliance with adjacent structures.
- ✓ Check that all adhesive tape and external or internal temporary protective devices have been removed.
- ✓ Check the perfect closing of the doors and the smooth sliding of the drawers and shelves.

6.5. Start Up

- > When the door is opened, the **“Stand-by”** message is usually displayed on the control panel, while all the keys on the panel are off.
- > To turn on the appliance, press the **ON/OFF** button for three seconds.



- > The display will show the message “Initial test” for approx. 2 minutes. After this phase the compressors will start up and remain on until the default temperature set up in the factory is reached. Do bear in mind that this phase could last several hours. If the appliance is provided with an Ice Maker, prior to switching it on make sure that the water filter cartridge is installed, then fill the water system.
- > At the end switch the Ice Maker on again by touching the button.
- > For further information on the appliance operation please refer to the User Manual.



If at the first start-up the message Stand by does not appear, but other messages appear, such as Fridge too warm, Fresco too warm, Freezer too warm, or sound signals are activated, it means that the appliance has already started the cooling process. If this is the case, deactivate any possible acoustic signals by pressing the Alarm button, close the door and wait until the set temperature is reached.



It is necessary to let the unit reach the correct temperature before foods are stored inside.

www.fhiaba.com
sales@fhiaba.com
Tel. +39 0434 420160
Info Line 800-344222