

# AS8991TST3I

90 cm, FRIDGE AND FREEZER, 1T Model

BUILT-IN

COUNTRY® SERIE

*Fhiaba*



## FEATURES

- Made in Italy.
- Aisi 304 stainless steel body.
- Stainless steel interior finish
- Antibacterial stainless steel interior.
- Evenlift: shelves can slide up and down to be adjusted to any height in the fridge compartment.
- Provent ventilation system encourages uniform distribution of cold air in all fridge compartments by laterally circulation air.
- Equilance: dual - movemenet patented hinge with self - balancing movement ensures stability and resistance.
- Optiview: multi - LED light array (top and side interior) provides brilliant illumination to the entire interior.
- Soft close door and drawers in all compartments
- Smart touch TFT display
- Acoustic and visual signals
- Total no frost 100% automatic system
- Variable speed compressors maintains precision temperature control with low vibration.
- Sabbath mode
- Front and rear adjustable feet up to 25 mm.
- Three independent climatic zone.
- Tempered glass shelves with aluminium profiles.
- Crisper drawers for multi - use preservazion solution. Antibacterial stainless steel interior & rounded corners promoting hygiene and easy cleaning.
- Deep capacity within a standard depth is achieved by a side - mounted evaporators, wich leaves grater interior space.
- Full range of models and configurations ( 45, 60, 75 and 90 cm). Can easily be combined and configured with other Fhiaba fridge, freezer, wine cellar models to fit your kitchen needs.

## GENERAL PROPERTIES

|   |           |
|---|-----------|
| Reversible door                         | NO        |
| Equilance                               | YES       |
| SoftClosing Runner                      | YES       |
| Low vibration                           | YES       |
| Optiview (LED light spots)              | YES       |
| Shelves                                 | 4         |
| Slide-out shelves                       | NO        |
| Type of shelves                         | GLASS     |
| Door Bins                               | 3         |
| Fridge drawers type                     | FRESCO    |
| Fresco/LowTemp Drawers                  | 2         |
| Bottom drawers                          | 1         |
| Full Extension shelves 90° door opening |           |
| Full Extension drawers 90° door opening | YES       |
| Defrost Process                         | AUTOMATIC |
| Ice maker with water filter             | YES       |
| Door Open Alarms                        | YES       |
| Humidity control                        | NO        |
| Active carbon filter                    | NO        |
| Air filter control                      | NO        |
| Shopping Fridge                         | YES       |
| Shopping Freezer                        | YES       |
| Power Failure Function                  | YES       |

# AS8991TST3I

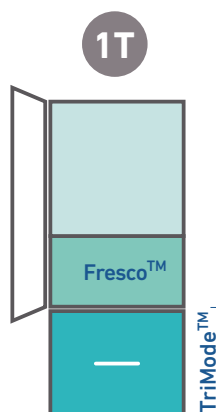
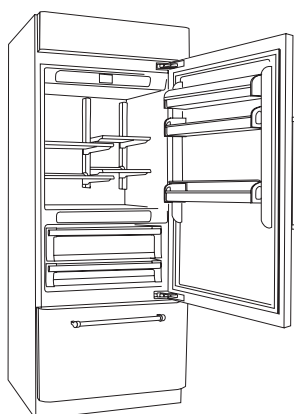
90 cm, FRIDGE AND FREEZER, 1T Model

BUILT-IN

COUNTRY® SERIE

## PRODUCT DETAIL

*Fhiaba*



1D | 1BD | 3M

D = door  
BD = drawer  
M = separate microclimates

### CAPACITY

|   |     |
|---|-----|
| Volume Compartment 1 (L)                              | 268 |
| Volume Compartment 2 (L)                              | 128 |
| Volume Compartment 3 (L)                              | 131 |
| Total Net Volume (L)                                  | 527 |
| Total Gross Volume (L)                                | 651 |
| Compartment 1 / Upper wine cellar capacity (bottles)  |     |
| Compartment 2 / Lower wine cellar capacity (bottles)  |     |
| Compartment 3 / Bottom wine cellar capacity (bottles) |     |

### TECHNICAL DETAILS

|                                      |             |
|--------------------------------------|-------------|
| Absorbed power (W)                   |             |
| Total absorbed current (A)           | 1.5         |
| Voltage (V)                          | 220-240V    |
| Frequency (Hz)                       | 50-60 Hz    |
| Power Cord Length (mm)               | 2           |
| Plug Type                            | Schuko 16A  |
| Climatic class                       | SN/T        |
| Noise level (dB)                     | 41          |
| Refrigerant (gas)                    | R600a       |
| Water connection / female attachment | female 3/4" |

### EFFICIENCY

|                               |     |
|-------------------------------|-----|
| New Energy Label class        | F   |
| Energy consumption (kWh/year) | 398 |

### DIMENSIONS & WEIGHT

|   |      |
|---|------|
| Height of the product (closed weels) (mm) | 2120 |
| Adjustable feet height (mm)               | 25   |
| Width of the product (mm)                 | 899  |
| Depth of Product without handle (mm)      | 635  |
| Wall cavity height (mm)                   | 2134 |
| Wall cavity width (mm)                    | 900  |
| Wall cavity depth (mm)                    | 650  |
| Net Weight (kg)                           | 217  |
| Gross Weight (kg)                         | 238  |

### TEMPERATURE RANGES

|   |                 |
|---|-----------------|
| Climatic compartments                   | 3               |
| Compartment 1 / Upper temperature (°C)  | from 2 to 8     |
| Compartment 2 / Middle temperature (°C) | from -2 to 2    |
| Low temp zone                           | NO              |
| Compartment 3 / Low temperature (°C)    | from -15 to -22 |
| Dual zone                               | NO              |

# AS8991TST3I

90 cm, FRIDGE AND FREEZER, 1T Model

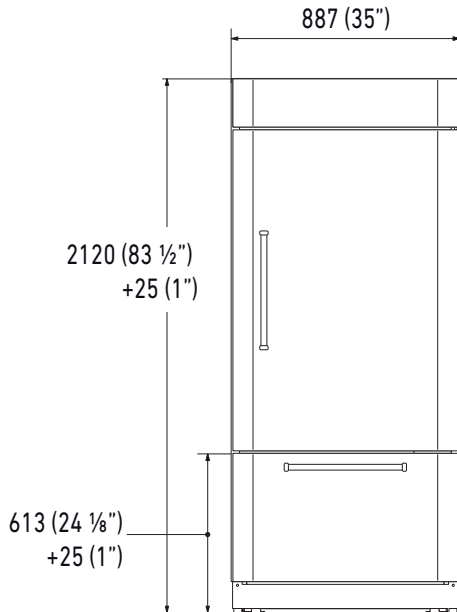
BUILT-IN

COUNTRY® SERIE

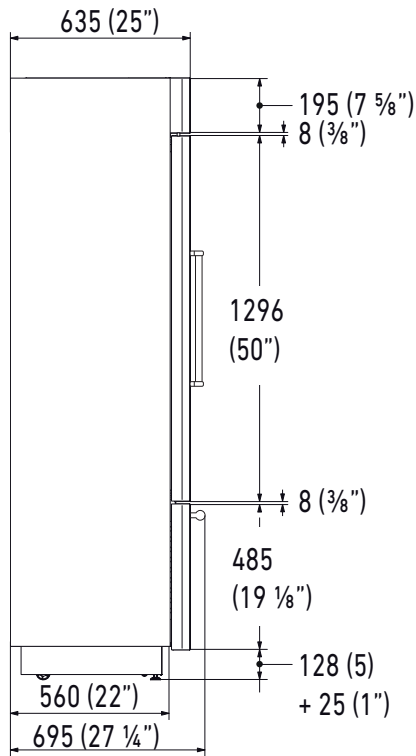
## PRODUCT SPECIFICATIONS AND DIMENSIONS

*Fhiaba*

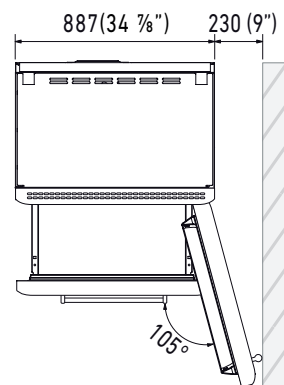
FRONT VIEW



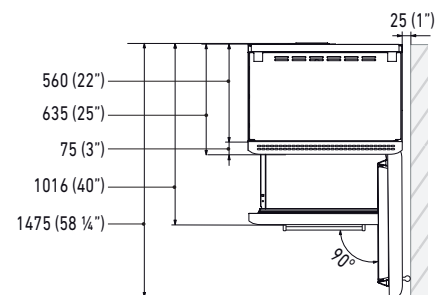
SIDE VIEW



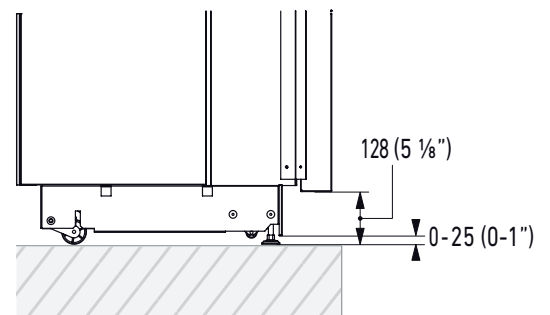
TOP VIEW,  
HINGE 105°



TOP VIEW,  
HINGE 90°



PLINTH SIZE



**i** For installation specifications, please consult with Fhiaba.  
For optimum installation, we recommend using the actual product as the best guide.

**i** Based on the adjustment of the feet and the height of the panel from the floor, the customer defines the perforated plinth to be installed on the equipment.

# AS8991TST3I

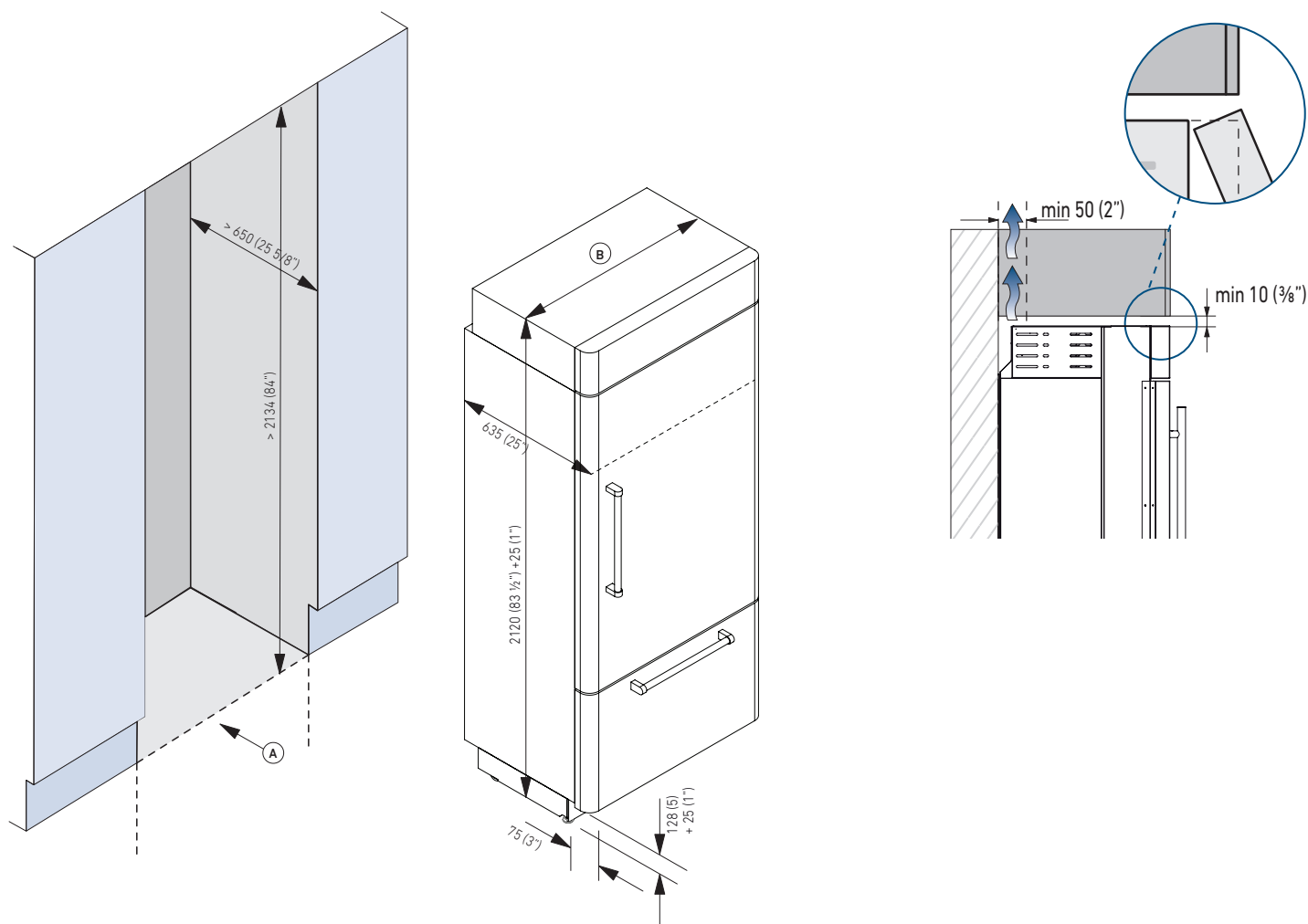
90 cm, FRIDGE AND FREEZER, 1T Model

BUILT-IN

COUNTRY® SERIE

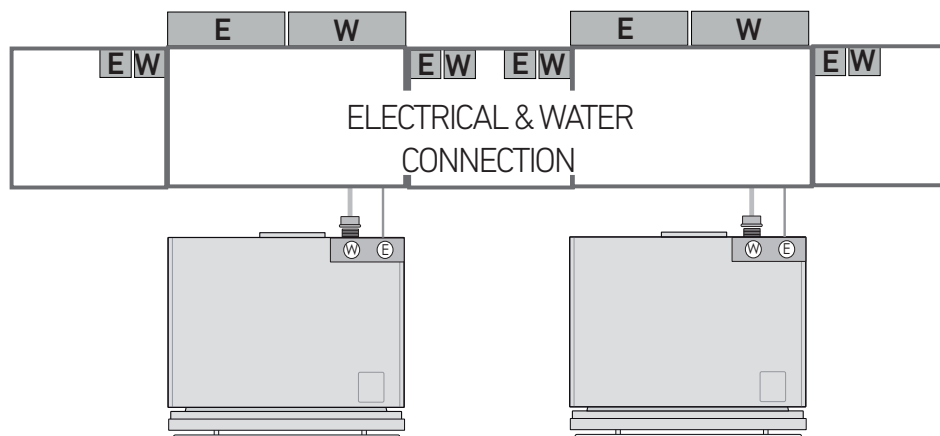
## NICHE SPECIFICATIONS AND DIMENSIONS

*Fhiaba*



| TECHNICAL DATA                               |     |
|--|-----|
| Niche Width <b>A</b> (mm)                    | 900 |
| Unit Width <b>B</b> (mm)                     | 887 |
| Unit Width with lateral frames <b>C</b> (mm) | 899 |

### Electrical and Water connection



# AS8991TST3I

90 cm, FRIDGE AND FREEZER, 1T Model

BUILT-IN

COUNTRY® SERIE

## INSTALLATION INFORMATION

*Fhiaba*


### Niche dimensions for combined installation



|   |           | A      |        |        |        |
|---|-----------|--------|--------|--------|--------|
|   | unit size | 45     | 60     | 75     | 90     |
| B | 45        | 90 cm  | 105 cm | 120 cm | 135 cm |
|   | 60        | 105 cm | 120 cm | 135 cm | 150 cm |
|   | 75        | 120 cm | 135 cm | 150 cm | 165 cm |
|   | 90        | 135 cm | 150 cm | 165 cm | 180 cm |

### ACCESSORIES

- Stainless steel sides panels
- Ice maker with water filter
- Water filtration system
- Joining kit
- Extra length anti-tipping kit
- Anticondensation kit
- Double EvenLift shelves
- Cleaning kit
- Water filter cartridge
- FLD - Fhiaba Link Device
- Painting
- 90° Door stop

 For installation specifications, please consult with Fhiaba. For optimum installation, we recommend using the actual product as the best guide.

     
[www.fhiaba.com](http://www.fhiaba.com)