

FK24BWR-RGS1

24", WINE CELLAR AND FREEZER, 1T Model

BUILT-IN

CLASSIC® SERIE

Fhiaba



FEATURES

- Made in Italy.
- Aisi 304 stainless steel body.
- Aluminium interior finish
- Antibacterial stainless steel interior.
- Provent ventilation system encourages uniform distribution of cold air in all fridge compartments by laterally circulation air.
- Equilance: dual - movemenet patented hinge with self - balancing movement ensures stability and resistance.
- Optiview: multi - LED light array (top and side interior) provides brilliant illumination to the entire interior.
- Smart touch TFT display
- Acoustic and visual signals
- Total no frost 100% automatic system
- Insulated variavle speed compressors manteins precision temperature control with low vibration.
- Sabbath mode
- Front and rear adjustable feet up to 25 mm.
- Three independent climatic zone.
- Deep capacity within a standard depth is achieved by a side - mounted evaporators, wich leaves grater interior space.
- Full range of models and configurations (18", 24", 30" and 36"). Can easily be combined and configured with other Fhiaba fridge, freezer, wine cellar models to fit your kitchen needs.
- Triple-pane, bronzed glass door guarantees maximun protection from harmful UV light rays.
- Soft - close mechanisms on every oak wine rack.
- Humidity control

GENERAL PROPERTIES

Reversible door	NO
Equilance	YES
SoftClosing Runner	YES
Low vibration	YES
Optiview (LED light spots)	YES
Shelves	9
Slide-out shelves	NO
Type of shelves	WOOD
Door Bins	
Fridge drawers type	
Fresco/LowTemp Drawers	
Bottom drawers	1
Full Extension shelves 90° door opening	YES
Full Extension drawers 90° door opening	YES
Defrost Process	AUTOMATIC
Ice maker with water filter	NO
Door Open Alarms	YES
Humidity control	YES
Active carbon filter	NO
Air filter control	NO
Shopping Fridge	NO
Shopping Freezer	YES
Power Failure Function	YES

FK24BWR-RGS1

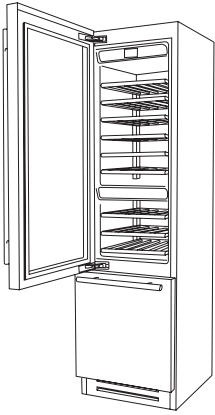
24", WINE CELLAR AND FREEZER, 1T Model

BUILT-IN

CLASSIC® SERIE

PRODUCT DETAIL

Fhiaba



1D | 1BD | 3M

D = door

BD = drawer

M = separate microclimates

CAPACITY

Capacity (cbf)	
Compartment 1 / Upper wine cellar capacity (bottles)	36
Compartment 2 / Lower wine cellar capacity (bottles)	18
Compartment 3 / Bottom wine cellar capacity (bottles)	

TECHNICAL DETAILS

Absorbed power (W)	
Total absorbed current (A)	4.1
Voltage (V)	115
Frequency (Hz)	60
Power Cord Length (in)	78" 3/4
Plug Type	3-prong (15 Amp)
Climatic class	SN/T
Refrigerant (gas)	R134a
Water connection / female attachment	

EFFICIENCY

Estimated Yearly Electricity Use	353
----------------------------------	-----

DIMENSIONS & WEIGHT

Height of the product (closed weels) (in)	83" 1/2 (2120 mm)
Adjustable feet height (in)	1" (25 mm)
Width of the product (in)	24" (609 mm)
Depth of Product without handle (in)	25" (635 mm)
Wall cavity height (in)	84" (2134 mm)
Wall cavity width (in)	24" (610 mm)
Wall cavity depth (in)	min 25" (635 mm) + panel thickness for flush install
Net Weight (lbs)	326 (148 kg)
Gross Weight (lbs)	370 (168 kg)

TEMPERATURE RANGES

Climatic compartments	3
Compartment 1 / Upper temperature (°F)	from 4 to 18
Compartment 2 / Middle temperature (°F)	from 4 to 18
Low temp zone	NO
Compartment 3 / Low temperature (°F)	from -13 to -23
Dual zone	NO

FK24BWR-RGS1

24", WINE CELLAR AND FREEZER, 1T Model

BUILT-IN

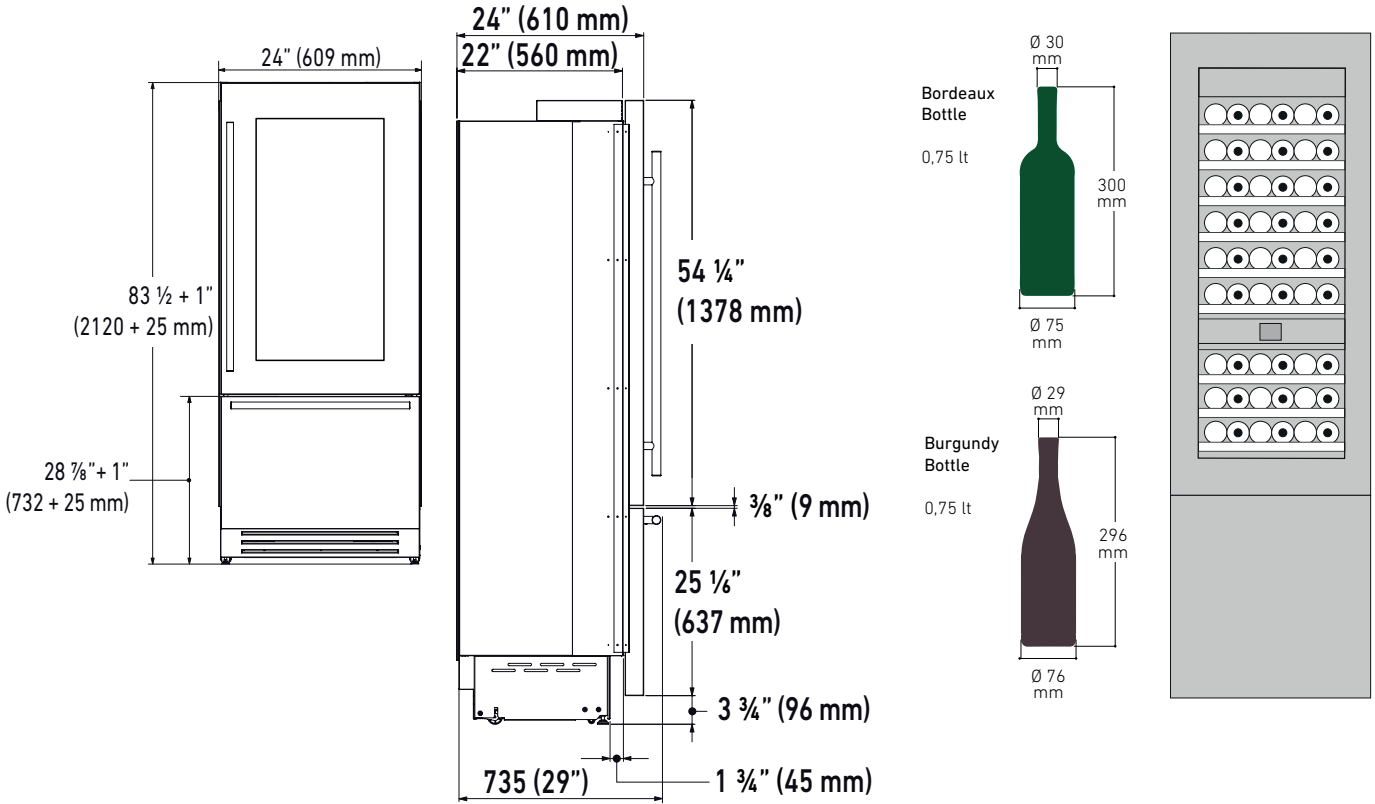
CLASSIC® SERIE

PRODUCT SPECIFICATIONS AND DIMENSIONS

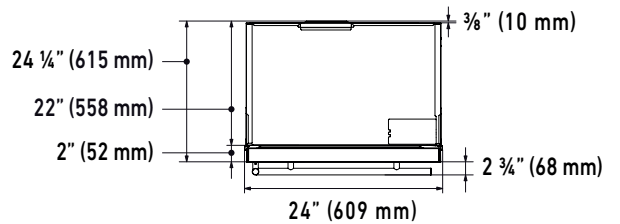
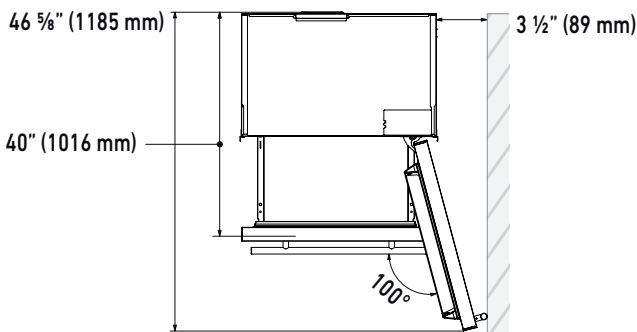
Fhiaba

FRONT VIEW

SIDE VIEW



TOP VIEWS,



i For installation specifications, please consult with Fhiaba. For optimum installation, we recommend using the actual product as the best guide.

i Based on the adjustment of the feet and the height of the panel from the floor, the customer defines the perforated plinth to be installed on the equipment.

FK24BWR-RGS1

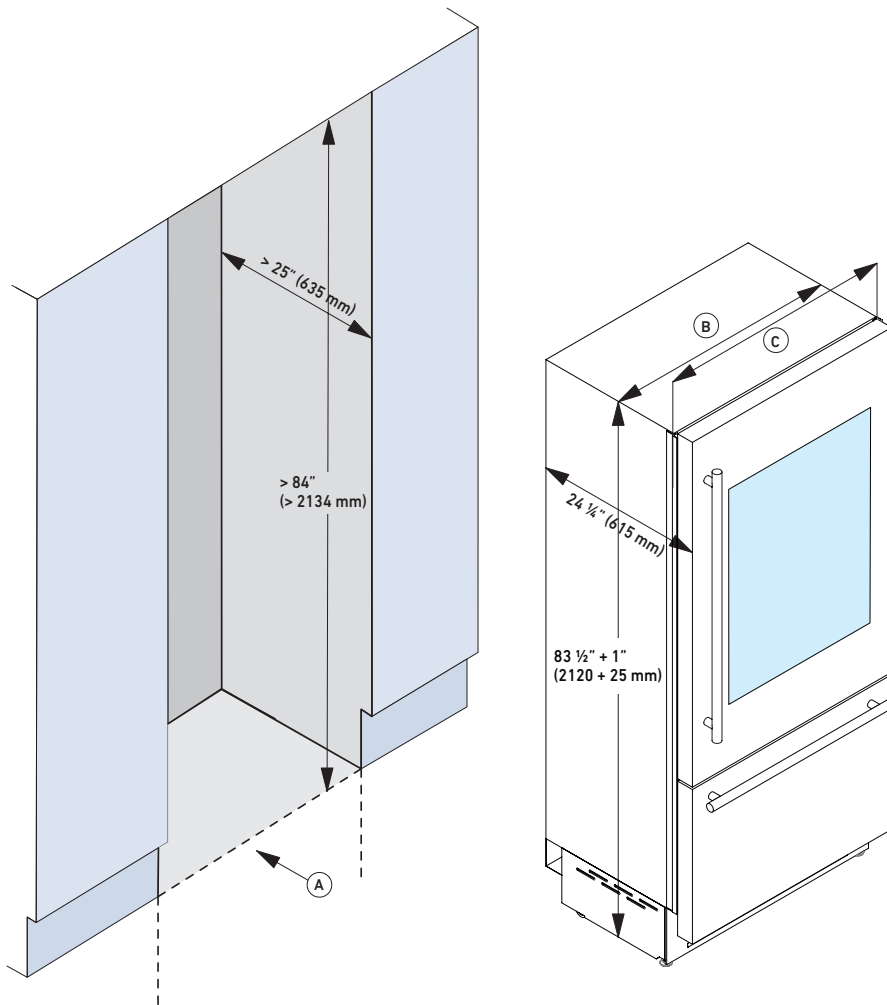
24", WINE CELLAR AND FREEZER, 1T Model

BUILT-IN

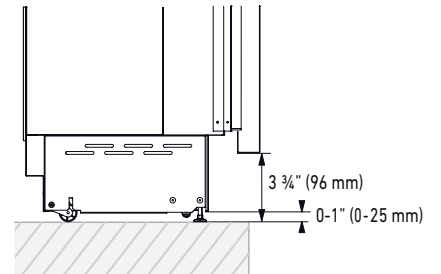
CLASSIC® SERIE

NICHE SPECIFICATIONS AND DIMENSIONS

Fhiaba

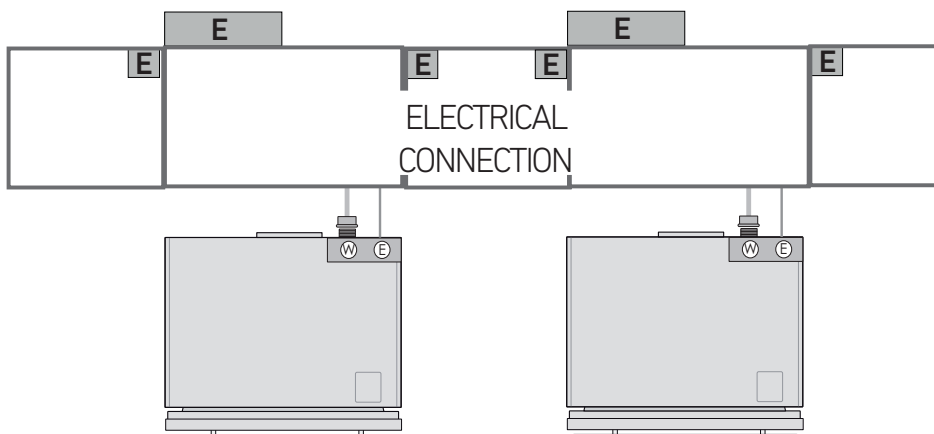


PLINTH SIZE



TECHNICAL DATA	
Niche Width A (mm)	24"
Unit Width B (mm)	23" 1/8
Unit Width with lateral frames C (mm)	24"

Electrical and Water connection



FK24BWR-RGS1

24", WINE CELLAR AND FREEZER, 1T Model

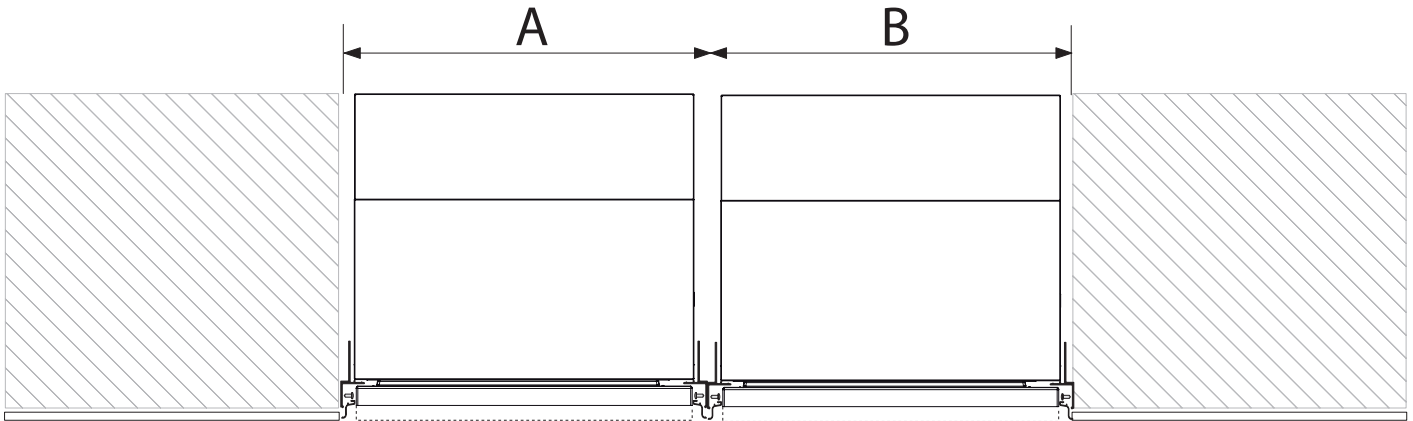
BUILT-IN

CLASSIC® SERIE

INSTALLATION INFORMATION




Niche dimensions for combined installation



		A			
		18"	24"	30"	36"
B	18"	36"(914mm)	42"(1067mm)	48"(1220mm)	54"(1372mm)
	24"	42"(1067mm)	48"(1220mm)	54"(1372mm)	60"(1520mm)
	30"	48"(1220mm)	54"(1372mm)	60"(1520mm)	66"(1676mm)
	36"	54"(1372mm)	60"(1524mm)	66"(1676mm)	72"(1829mm)

ACCESSORIES

- Stainless steel sides panels
- Glass door
- Joining kit
- Stainless steel portal for freestanding
- Extra length anti-tipping kit
- Anticondensation kit
- Cleaning kit
- FLD - Fhiaba Link Device
- Front ventilation kit
- Painting
- 90° Door stop
- Wine kit
- Cheese drawer
- Set of knives
- Bottle trap
- Sigar drawer
- Beverage drawer
- Beverage shelf
- Beverage removable shelf
- Chocolate kit

 For installation specifications, please consult with Fhiaba. For optimum installation, we recommend using the actual product as the best guide.

