

KS8990FR6

90 cm, FRIDGE, OFR Model

BUILT-IN

CLASSIC® SERIE

Fhiaba



FEATURES

- Made in Italy.
- Aisi 304 stainless steel body.
- Stainless steel interior finish
- Antibacterial stainless steel interior.
- Evenlift: shelves can slide up and down to be adjusted to any height in the fridge compartment.
- Provent ventilation system encourages uniform distribution of cold air in all fridge compartments by laterally circulation air.
- Equilance: dual - movemenet patented hinge with self - balancing movement ensures stability and resistance.
- Optiview: multi - LED light array (top and side interior) provides brilliant illumination to the entire interior.
- Soft close door and drawers in all compartments
- Smart touch TFT display
- Acoustic and visual signals
- Total no frost 100% automatic system
- Variable speed compressors maintains precision temperature control with low vibration.
- Sabbath mode
- Front and rear adjustable feet up to 25 mm.
- One independent climatic zone.
- Tempered glass shelves with aluminium profiles.
- Crisper drawers for multi - use preservazion solution. Antibacterial stainless steel interior & rounded corners promoting hygiene and easy cleaning.
- Deep capacity within a standard depth is achieved by a side - mounted evaporators, wich leaves grater interior space.
- Full range of models and configurations (45, 60, 75 and 90 cm). Can easily be combined and configured with other Fhiaba fridge, freezer, wine cellar models to fit your kitchen needs.

GENERAL PROPERTIES

| | |
|---|-----------|
| Reversible door | NO |
| Equilance | YES |
| SoftClosing Runner | YES |
| Low vibration | YES |
| Optiview (LED light spots) | YES |
| Shelves | 3 |
| Slide-out shelves | NO |
| Type of shelves | glass |
| Door Bins | 3 |
| Fridge drawers type | LOW TEMP |
| Fresco/LowTemp Drawers | 3 |
| Bottom drawers | |
| Full Extension shelves 90° door opening | |
| Full Extension drawers 90° door opening | YES |
| Defrost Process | AUTOMATIC |
| Ice maker with water filter | NO |
| Door Open Alarms | YES |
| Humidity control | NO |
| Active carbon filter | NO |
| Air filter control | NO |
| Shopping Fridge | YES |
| Shopping Freezer | NO |
| Power Failure Function | YES |

KS8990FR6

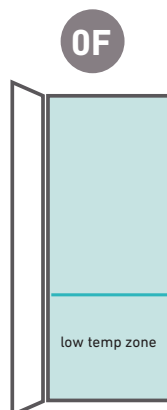
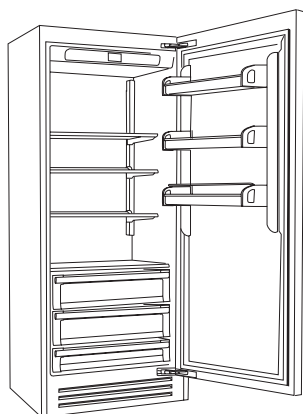
90 cm, FRIDGE, OFR Model

BUILT-IN

CLASSIC® SERIE

PRODUCT DETAIL

Fhiaba



1D | 1M

fridge

D = door

M = separate microclimates

CAPACITY

| | |
|---|-----|
| Volume Compartment 1 (L) | 619 |
| Volume Compartment 2 (L) | |
| Volume Compartment 3 (L) | |
| Total Net Volume (L) | 619 |
| Total Gross Volume (L) | 629 |
| Compartment 1 / Upper wine cellar capacity (bottles) | |
| Compartment 2 / Lower wine cellar capacity (bottles) | |
| Compartment 3 / Bottom wine cellar capacity (bottles) | |

TECHNICAL DETAILS

| | |
|--------------------------------------|------------|
| Absorbed power (W) | |
| Total absorbed current (A) | 2 |
| Voltage (V) | 220-240V |
| Frequency (Hz) | 50-60 Hz |
| Power Cord Length (mm) | 2 |
| Plug Type | Schuko 16A |
| Climatic class | SN/T |
| Noise level (dB) | 41 |
| Refrigerant (gas) | R600a |
| Water connection / female attachment | - |

EFFICIENCY

| | |
|-------------------------------|-----|
| New Energy Label class | F |
| Energy consumption (kWh/year) | 188 |

DIMENSIONS & WEIGHT

| | |
|---|------|
| Height of the product (closed weels) (mm) | 2050 |
| Adjustable feet height (mm) | 25 |
| Width of the product (mm) | 899 |
| Depth of Product without handle (mm) | 640 |
| Wall cavity height (mm) | 2064 |
| Wall cavity width (mm) | 900 |
| Wall cavity depth (mm) | 650 |
| Net Weight (kg) | 189 |
| Gross Weight (kg) | 210 |

TEMPERATURE RANGES

| | |
|---|-------------|
| Climatic compartments | 1 |
| Compartment 1 / Upper temperature (°C) | from 2 to 8 |
| Compartment 2 / Middle temperature (°C) | |
| Low temp zone | YES |
| Compartment 3 / Low temperature (°C) | |
| Dual zone | NO |

KS8990FR6

90 cm, FRIDGE, OFR Model

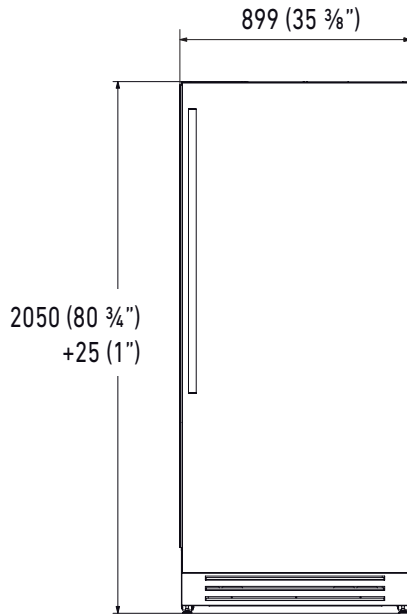
BUILT-IN

CLASSIC® SERIE

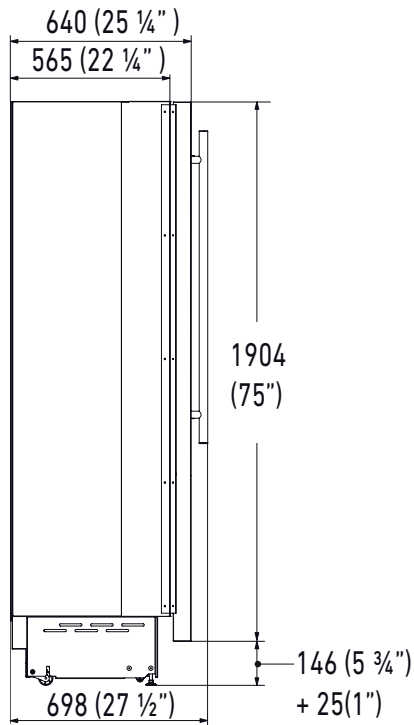
PRODUCT SPECIFICATIONS AND DIMENSIONS

Fhiaba

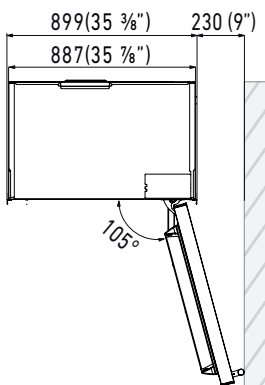
FRONT VIEW



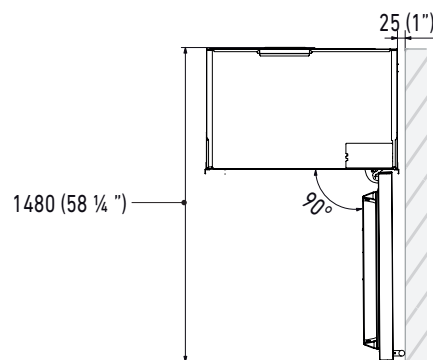
SIDE VIEW



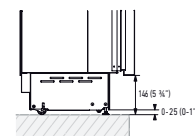
TOP VIEW,
HINGE 105°



TOP VIEW,
HINGE 90°



PLINTH SIZE



i For installation specifications, please consult with Fhiaba. For optimum installation, we recommend using the actual product as the best guide.

i Based on the adjustment of the feet and the height of the panel from the floor, the customer defines the perforated plinth to be installed on the equipment.

KS8990FR6

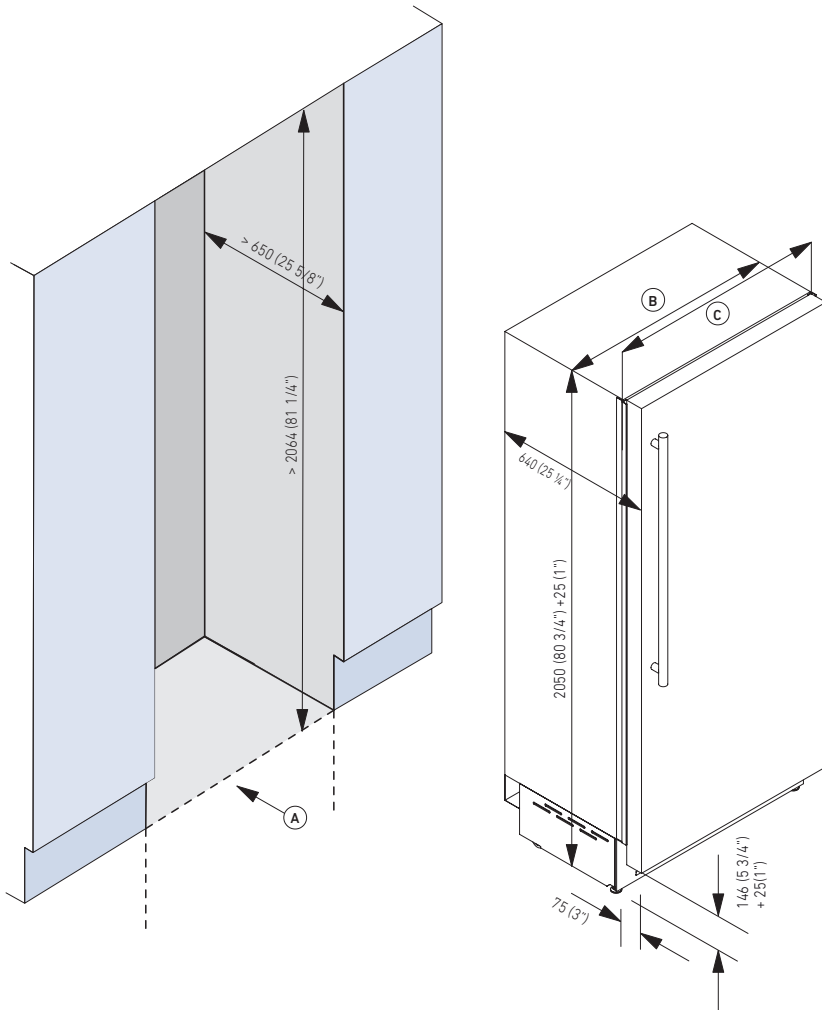
90 cm, FRIDGE, OFR Model

BUILT-IN

CLASSIC® SERIE

NICHE SPECIFICATIONS AND DIMENSIONS

Fhiaba



| TECHNICAL DATA | |
|--|-----|
| Niche Width A (mm) | 900 |
| Unit Width B (mm) | 887 |
| Unit Width with lateral frames C (mm) | 899 |

Electrical and Water connection



KS8990FR6

90 cm, FRIDGE, OFR Model

BUILT-IN

CLASSIC® SERIE

INSTALLATION INFORMATION

Fhiaba

Niche dimensions for combined installation



| | | A | | | |
|---|-----------|--------|--------|--------|--------|
| | unit size | 45 | 60 | 75 | 90 |
| B | 45 | 90 cm | 105 cm | 120 cm | 135 cm |
| | 60 | 105 cm | 120 cm | 135 cm | 150 cm |
| | 75 | 120 cm | 135 cm | 150 cm | 165 cm |
| | 90 | 135 cm | 150 cm | 165 cm | 180 cm |

ACCESSORIES

- Stainless steel sides panels
- Joining kit
- Stainless steel portal for freestanding
- Extra length anti-tipping kit
- Anticondensation kit
- Cleaning kit
- FLD - Fhiaba Link Device
- Front ventilation kit
- Painting
- 90° Door stop

 For installation specifications, please consult with Fhiaba. For optimum installation, we recommend using the actual product as the best guide.

   
www.fhiaba.com