

# FI18WCC-L01

18", WINE CELLAR, 0FW Model

BUILT-IN

INTEGRATED® SERIE

*Fhiaba*



## FEATURES

- Made in Italy.
- Aisi 304 stainless steel body.
- Aluminium interior finish
- Antibacterial stainless steel interior.
- Provent ventilation system encourages uniform distribution of cold air in all fridge compartments by laterally circulation air.
- Equilance: dual - movemenet patented hinge with self - balancing movement ensures stability and resistance.
- Optiview: multi - LED light array (top and side interior) provides brilliant illumination to the entire interior.
- Smart touch TFT display
- Acoustic and visual signals
- Total no frost 100% automatic system
- Insulated variavle speed compressors manteins precision temperature control with low vibration.
- Sabbath mode
- Front and rear adjustable feet up to 25 mm.
- Two indipendent climatic zone.
- Deep capacity within a standard depth is achieved by a side - mounted evaporators, wich leaves grater interior space.
- Full range of models and configurations ( 18", 24", 30" and 36"). Can easily be combined and configured with other Fhiaba fridge, freezer, wine cellar models to fit your kitchen needs.
- Triple-pane, bronzed glass door guarantees maximun protection from harmful UV light rays.
- Soft - close mechanisms on every oak wine rack.
- Humidity control

## GENERAL PROPERTIES

Reversible door	NO
Equilance	YES
SoftClosing Runner	YES
Low vibration	YES
Optiview (LED light spots)	YES
Shelves	12
Slide-out shelves	YES
Type of shelves	WOOD
Door Bins	
Fridge drawers type	
Fresco/LowTemp Drawers	
Bottom drawers	
Full Extension shelves 90° door opening	YES
Full Extension drawers 90° door opening	NO
Defrost Process	AUTOMATIC
Ice maker with water filter	NO
Door Open Alarms	YES
Humidity control	YES
Active carbon filter	NO
Air filter control	NO
Shopping Fridge	NO
Shopping Freezer	NO
Power Failure Function	YES

# FI18WCC-L01

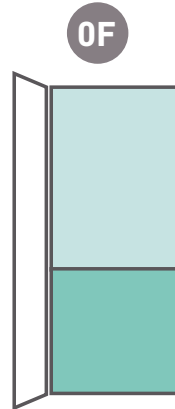
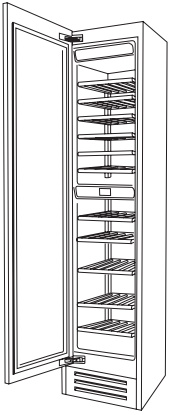
18", WINE CELLAR, OFW Model

BUILT-IN

INTEGRATED® SERIE

## PRODUCT DETAIL

*Fhiaba*



1D | 2M

wine cellar

D = door

M = separate microclimates

### CAPACITY

Capacity (cbf)	
Compartment 1 / Upper wine cellar capacity (bottles)	32
Compartment 2 / Lower wine cellar capacity (bottles)	20
Compartment 3 / Bottom wine cellar capacity (bottles)	

### TECHNICAL DETAILS

Absorbed power (W)	
Total absorbed current (A)	1.5
Voltage (V)	115
Frequency (Hz)	60
Power Cord Length (in)	78" 3/4
Plug Type	3-prong (15 Amp)
Climatic class	SN/T
Refrigerant (gas)	R600a
Water connection / female attachment	

### EFFICIENCY

Estimated Yearly Electricity Use	390
----------------------------------	-----

### DIMENSIONS & WEIGHT

Height of the product (closed weels) (in)	83" 1/2 (2120 mm)
Adjustable feet height (in)	1" (25 mm)
Width of the product (in)	18" (456 mm)
Depth of Product without handle (in)	24" (610 mm)
Wall cavity height (in)	84" (2134 mm)
Wall cavity width (in)	18" (457 mm)
Wall cavity depth (in)	min 24" (610 mm) + panel thickness for flush install
Net Weight (lbs)	304 (138 kg)
Gross Weight (lbs)	348 (158 kg)

### TEMPERATURE RANGES

Climatic compartments	2
Compartment 1 / Upper temperature (°F)	from 4 to 18
Compartment 2 / Middle temperature (°F)	from 4 to 18
Low temp zone	NO
Compartment 3 / Low temperature (°F)	
Dual zone	NO

# FI18WCC-L01

18", WINE CELLAR, 0FW Model

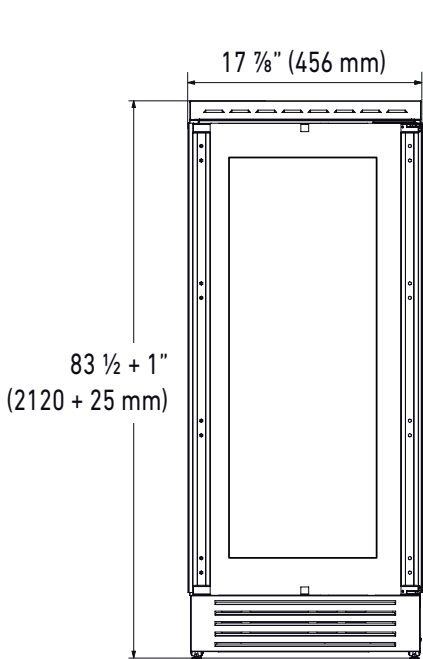
BUILT-IN

INTEGRATED® SERIE

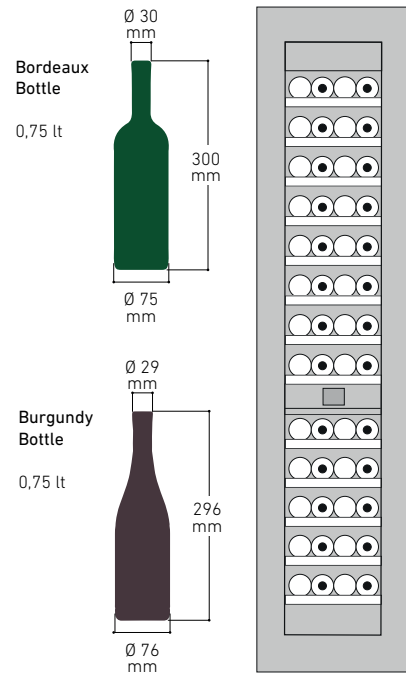
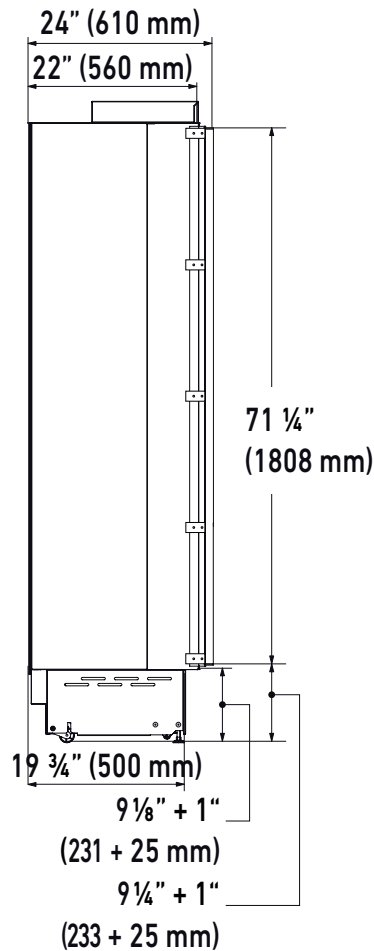
## PRODUCT SPECIFICATIONS AND DIMENSIONS

*Fhiaba*

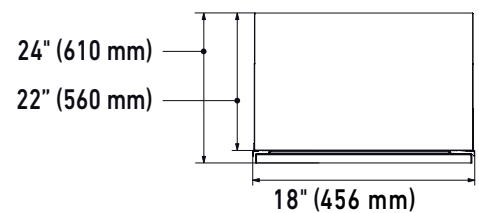
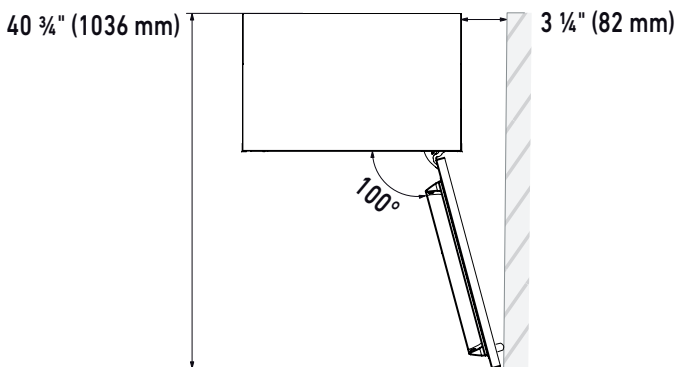
### FRONT VIEW



### SIDE VIEW



### TOP VIEWS,



**i** For installation specifications, please consult with Fhiaba. For optimum installation, we recommend using the actual product as the best guide.

**i** Based on the adjustment of the feet and the height of the panel from the floor, the customer defines the perforated plinth to be installed on the equipment.

# FI18WCC-L01

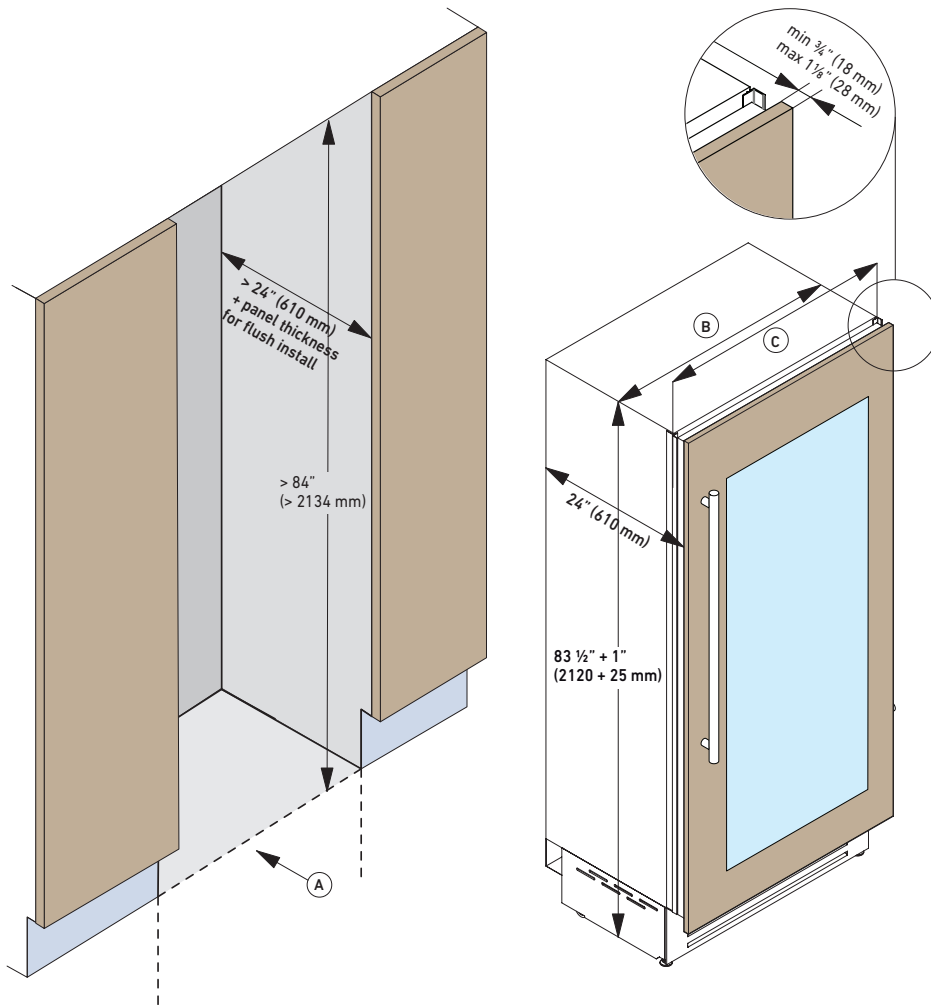
18", WINE CELLAR, 0FW Model

BUILT-IN

INTEGRATED® SERIE

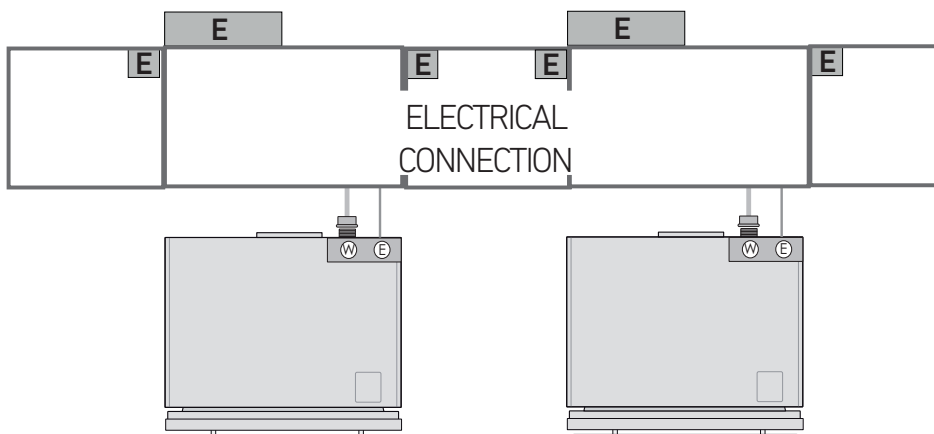
## NICHE SPECIFICATIONS AND DIMENSIONS

*Fhiaba*



TECHNICAL DATA	
Niche Width <b>A</b>	18" (457 mm)
Unit Width <b>B</b>	17" 1/4 (437 mm)
Unit Width with lateral frames <b>C</b>	18" (456 mm)

### Electrical and Water connection



# FI18WCC-L01

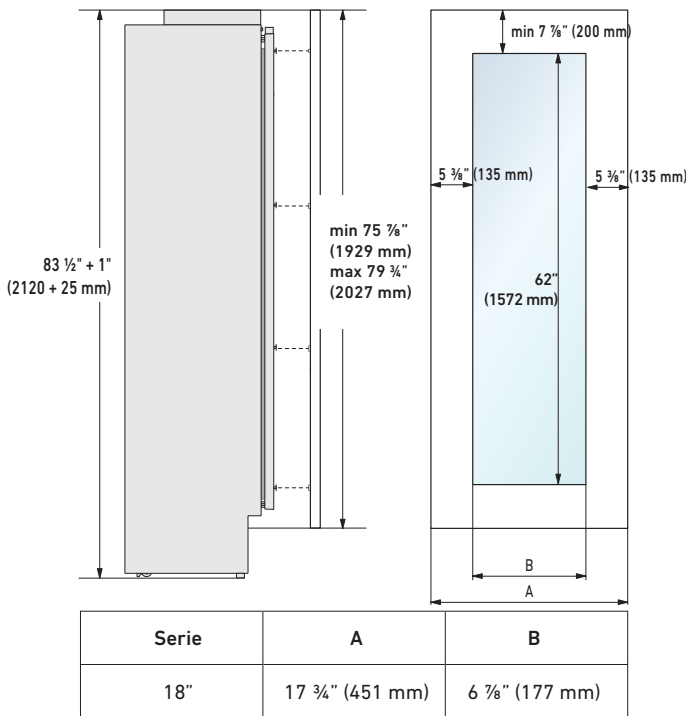
18", WINE CELLAR, 0FW Model

BUILT-IN

INTEGRATED® SERIE

## CUSTOM PANELS INFORMATION

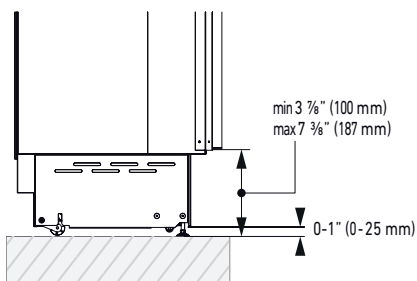
*Fhiaba*




### Integrated Panel Recommendations

Panels with thickness ranging between  $\frac{3}{4}''$  in (18 mm) and  $1\frac{1}{8}''$  in. (28 mm) Door panels with weight max of 75 lbs (34 kg) and drawer panels with weight max of lbs ( kg) Provide installation of decorative panels during installation of the unit.

### PLINTH SIZE



 For installation specifications, please consult with Fhiaba. For optimum installation, we recommend using the actual product as the best guide.

# FI18WCC-L01

18", WINE CELLAR, 0FW Model

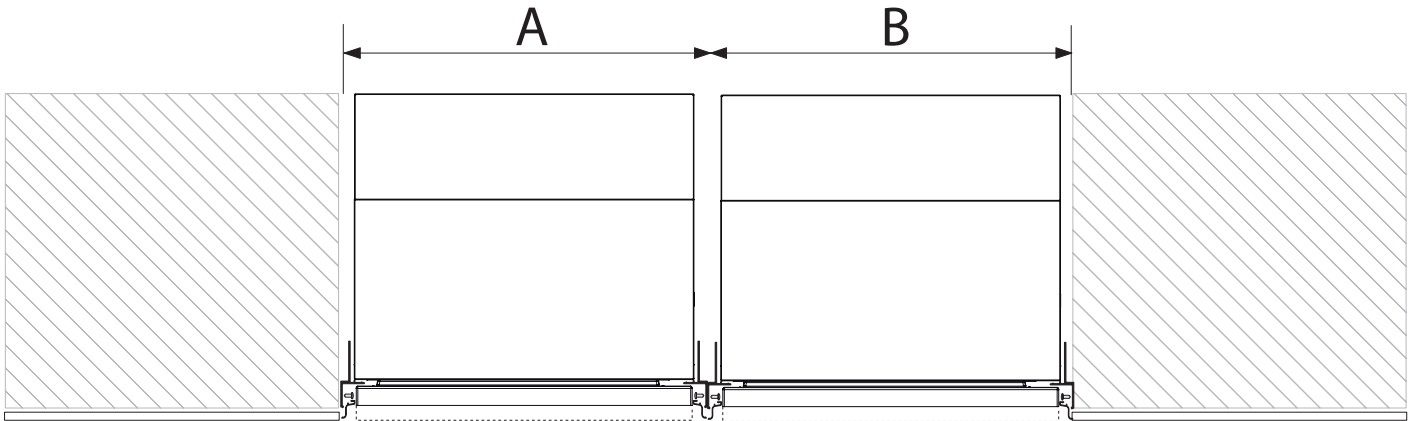
BUILT-IN

INTEGRATED® SERIE

## INSTALLATION INFORMATION

*Fhiaba*


### Niche dimensions for combined installation



		A			
		18"	24"	30"	36"
B	18"	36"(914mm)	42"(1067mm)	48"(1220mm)	54"(1372mm)
	24"	42"(1067mm)	48"(1220mm)	54"(1372mm)	60"(1520mm)
	30"	48"(1220mm)	54"(1372mm)	60"(1520mm)	66"(1676mm)
	36"	54"(1372mm)	60"(1524mm)	66"(1676mm)	72"(1829mm)

### ACCESSORIES

- Stainless steel sides panels
- Glass door
- Joining kit
- Stainless steel tubular handleless 30mm
- Stainless steel tubular handleless 18mm
- Stainless steel panels
- Stainless steel portal for freestanding
- Extra length anti-tipping kit
- Anticondensation kit
- Cleaning kit
- FLD - Fhiaba Link Device
- Front ventilation kit
- 90° Door stop
- Wine kit
- Cheese drawer
- Set of knives
- Bottle trap
- Sigar drawer
- Beverage drawer
- Beverage shelf
- Beverage removable shelf

 For installation specifications, please consult with Fhiaba. For optimum installation, we recommend using the actual product as the best guide.

     
[www.fhiaba.com](http://www.fhiaba.com)