

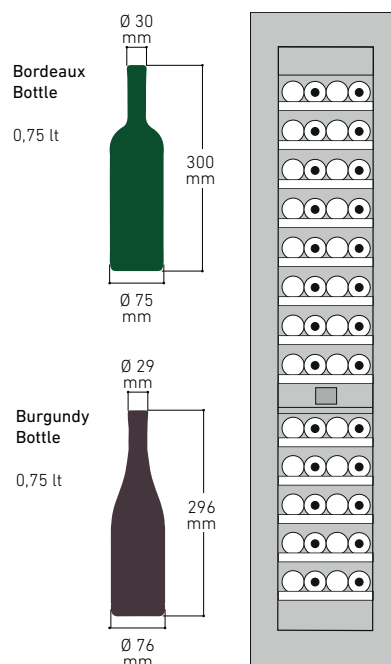
FI18WCC-R02

18", WINE CELLAR, 0FW Model

FULLY INTEGRATED

INTEGRATED® SERIES

Fhiaba



FEATURES

- Made in Italy
- OptiView™: OptiView LED lights
- ProVent™: Uniform air circulation maintains consistent temperatures throughout the appliance resulting in better food preservation
- Humidity Control: Choose between high, medium and low humidity – particularly important for wine storage
- Total No Frost: No more frost build-up that requires defrosting
- EquiLance™: Achieve a seamless built-in look with Fhiaba's innovative door hinge

GENERAL PROPERTIES

Equilance Hinge	YES
Soft-Closing Glides	NO
Low Vibration	YES
OptiView (Led Light Spots)	YES
Shelves	13
Type Of Shelves	WOOD
Door Bins	N/A
Fridge Interior Drawers	N/A
Freezer Drawers	N/A
Evenlift Shelves	NO
Full Extension Shelves 90° Door Opening	YES
Full Extension Drawers 90° Door Opening	NO
Defrost Process	AUTOMATIC
Door Open Alarms	YES
Shopping Fridge	NO
Shopping Freezer	NO
Power Failure Alert	YES
Ice Maker With Water Filter	NO
Water Dispenser With Water Filter	NO
Water Filter Cartridge	NO

FI18WCC-R02

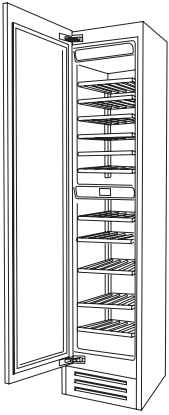
18", WINE CELLAR, 0FW Model

FULLY INTEGRATED

INTEGRATED® SERIES

PRODUCT DETAIL

Fhiaba



1D | 2M

wine cellar

D = door

M = separate microclimates

CAPACITY

Net Capacity	7.7 cuft (219 l)
Upper Compartment Wine Cellar Capacity (Bottles)	32
Lower Compartment Wine Cellar Capacity (Bottles)	20

TECHNICAL DETAILS

Total Absorbed Current (A)	2.5
Voltage (V)	115
Frequency (Hz)	60
Power Cord Length	78 3/4" (2 m)
Plug Type	Nema 5-15P
Climate Class	SN/T
Refrigerant (Gas)	R600a
Water Connection / Female Attachment	N/A

EFFICIENCY

Estimated Yearly Electricity Use	191 kwh
----------------------------------	---------

DIMENSIONS & WEIGHT

Height Of The Product (Minimum)	83 1/2" (2120 mm)
Adjustable Feet Height	up to 1" (25 mm)
Width Of The Product	17 7/8" (455 mm)
Depth Of Product Without Handle	24" (610 mm)
Cut-out Height	84" (2134 mm)
Cut-out Width	18" (457 mm)
Cut-out Depth	min 24" (610 mm) + panel thickness for flush install
Net Weight	304 lbs (138 kg)
Gross Weight	348 lbs (158 kg)

TEMPERATURE RANGES

Climate Zones	2
Compartment 1 / Upper Temperature	from 39°F (4°C) to 64°F (18°C)
Compartment 2 / Middle Temperature	N/A
Compartment 3 / Low Temperature	from 39°F (4°C) to 64°F (18°C)

FI18WCC-R02

18", WINE CELLAR, 0FW Model

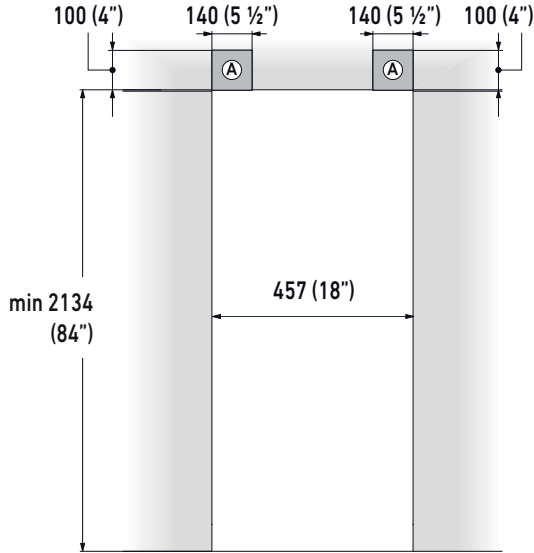
FULLY INTEGRATED

INTEGRATED® SERIES

PRODUCT SPECIFICATIONS AND DIMENSIONS

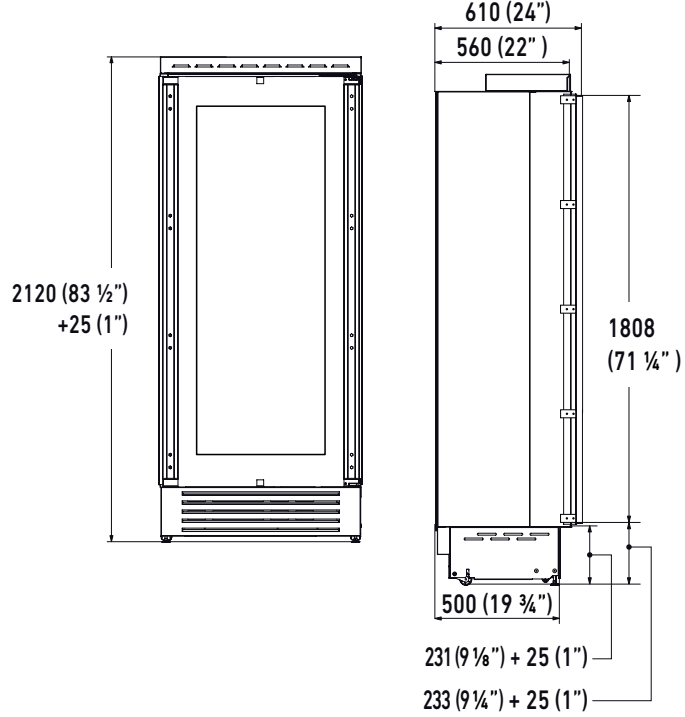


FRONT VIEW

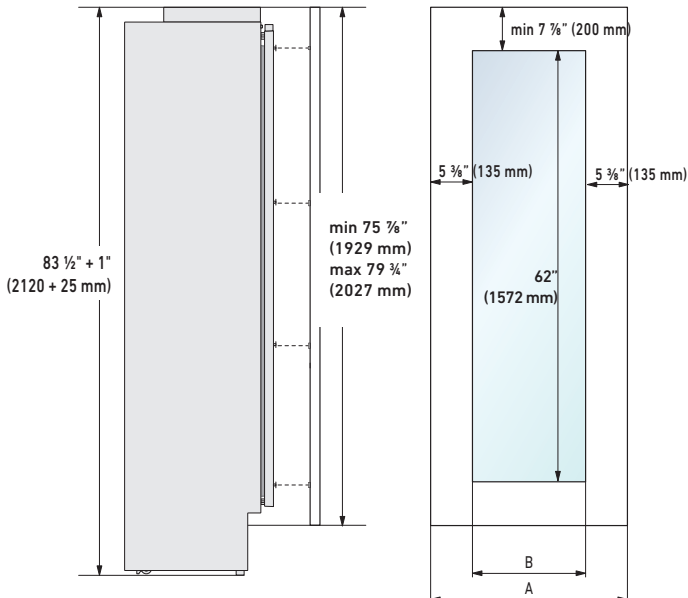


A
Area to be left clear for the anti-tipping brackets

SIDE VIEW

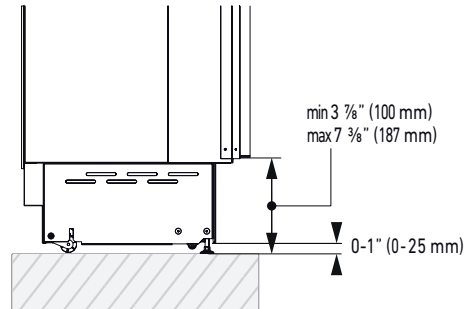


CUSTOM PANELS INFORMATION



Serie	A	B
18"	17 3/4" (451 mm)	6 7/8" (177 mm)

PLINTH SIZE



INTEGRATED PANEL RECOMMENDATIONS

Panels with thickness ranging between 3/4" in (18 mm) and 1 1/8" in (28 mm)

Door Panels Weight Max	75 lbs (34 kg)
Drawer Panels Weight Max	N/A lbs (N/A kg)

FI18WCC-R02

18", WINE CELLAR, 0FW Model

FULLY INTEGRATED

INTEGRATED® SERIES

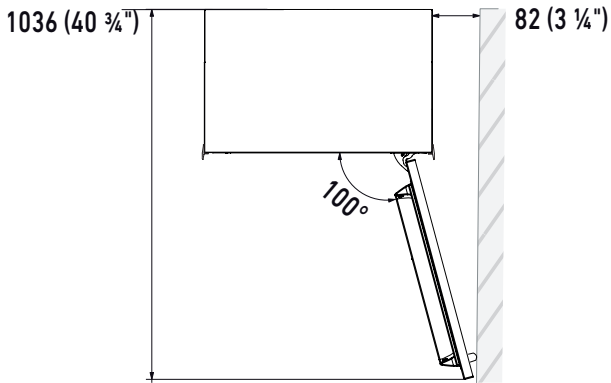
PRODUCT SPECIFICATIONS AND DIMENSIONS

TOP VIEWS

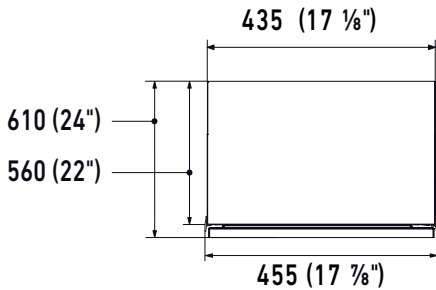


Door swing clearance

Minimum distance from the wall (hinge side)

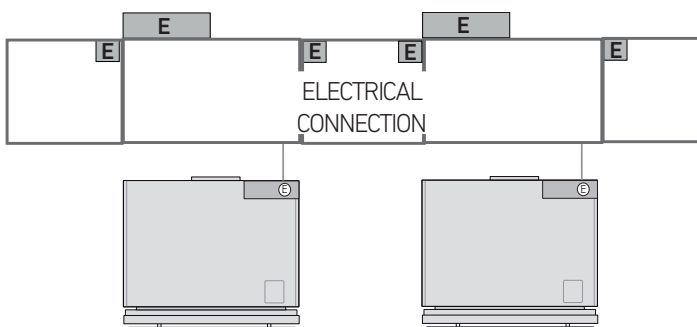


Width of the body of the appliance



Width of appliance with mounting brackets installed (effective width)

Electrical Connection



Electrical and water connections (if applicable) should be reachable without having to uninstall the appliance. If the connections must be made directly behind the appliance then it is recommended to recess those connections. **IMPORTANT:** do not put the water shut-off valve behind the appliance where it will be inaccessible.