

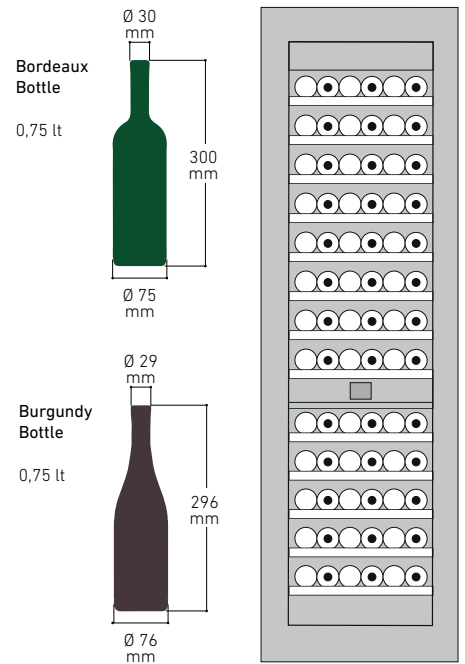
# FI24WCC-L02

24", WINE CELLAR, 0FW Model

FULLY INTEGRATED

INTEGRATED® SERIES

*Fhiaba*



## FEATURES

- Made in Italy
- OptiView™: OptiView LED lights
- ProVent™: Uniform air circulation maintains consistent temperatures throughout the appliance resulting in better food preservation
- Humidity Control: Choose between high, medium and low humidity – particularly important for wine storage
- Total No Frost: No more frost build-up that requires defrosting
- EquiLance™: Achieve a seamless built-in look with Fhiaba's innovative door hinge

## GENERAL PROPERTIES

|   |           |
|---|-----------|
| Equilance Hinge                         | YES       |
| Soft-Closing Glides                     | NO        |
| Low Vibration                           | YES       |
| OptiView (Led Light Spots)              | YES       |
| Shelves                                 | 13        |
| Type Of Shelves                         | WOOD      |
| Door Bins                               | N/A       |
| Fridge Interior Drawers                 | N/A       |
| Freezer Drawers                         | N/A       |
| Evenlift Shelves                        | NO        |
| Full Extension Shelves 90° Door Opening | YES       |
| Full Extension Drawers 90° Door Opening | NO        |
| Defrost Process                         | AUTOMATIC |
| Door Open Alarms                        | YES       |
| Shopping Fridge                         | NO        |
| Shopping Freezer                        | NO        |
| Power Failure Alert                     | YES       |
| Ice Maker With Water Filter             | NO        |
| Water Dispenser With Water Filter       | NO        |
| Water Filter Cartridge                  | NO        |

# FI24WCC-L02

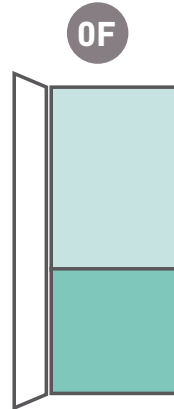
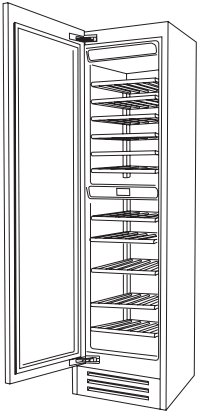
24", WINE CELLAR, 0FW Model

FULLY INTEGRATED

INTEGRATED® SERIES

## PRODUCT DETAIL

*Fhiaba*



1D | 2M

wine cellar

D = door

M = separate microclimates

### CAPACITY

|  |                   |
|--|-------------------|
| Net Capacity                                     | 12.4 cuft (352 l) |
| Upper Compartment Wine Cellar Capacity (Bottles) | 48                |
| Lower Compartment Wine Cellar Capacity (Bottles) | 30                |

### TECHNICAL DETAILS

|                                      |               |
|--------------------------------------|---------------|
| Total Absorbed Current (A)           | 2.5           |
| Voltage (V)                          | 115           |
| Frequency (Hz)                       | 60            |
| Power Cord Length                    | 78 3/4" (2 m) |
| Plug Type                            | Nema 5-15P    |
| Climate Class                        | SN/T          |
| Refrigerant (Gas)                    | R600a         |
| Water Connection / Female Attachment | N/A           |

### EFFICIENCY

|                                  |         |
|----------------------------------|---------|
| Estimated Yearly Electricity Use | 232 kwh |
|----------------------------------|---------|

### DIMENSIONS & WEIGHT

|                                 |   |
|---------------------------------|---|
| Height Of The Product (Minimum) | 83 1/2" (2120 mm)                                       |
| Adjustable Feet Height          | up to 1" (25 mm)  |
| Width Of The Product            | 23 7/8" (608 mm)  |
| Depth Of Product Without Handle | 24" (610 mm)  |
| Cut-out Height                  | 84" (2134 mm)   |
| Cut-out Width                   | 24" (610 mm)  |
| Cut-out Depth                   | min 24" (610 mm)<br>+ panel thickness for flush install |
| Net Weight                      | 293 lbs (133 kg)  |
| Gross Weight                    | 337 lbs (153 kg)  |

### TEMPERATURE RANGES

|                                    |                                |
|------------------------------------|--------------------------------|
| Climate Zones                      | 2                              |
| Compartment 1 / Upper Temperature  | from 39°F (4°C) to 64°F (18°C) |
| Compartment 2 / Middle Temperature | N/A                            |
| Compartment 3 / Low Temperature    | from 39°F (4°C) to 64°F (18°C) |

# FI24WCC-L02

24", WINE CELLAR, 0FW Model

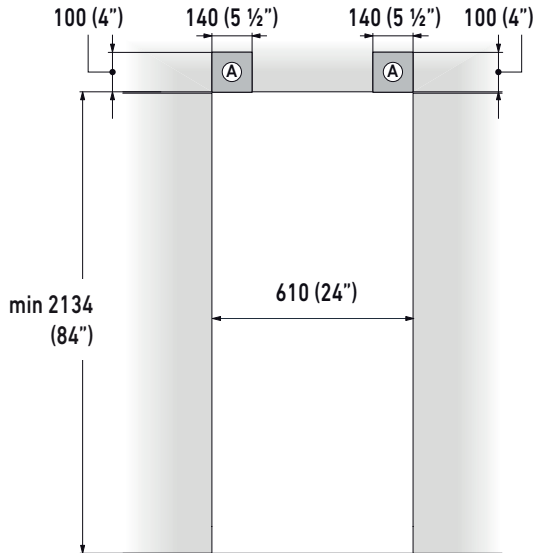
FULLY INTEGRATED

INTEGRATED® SERIES

## PRODUCT SPECIFICATIONS AND DIMENSIONS

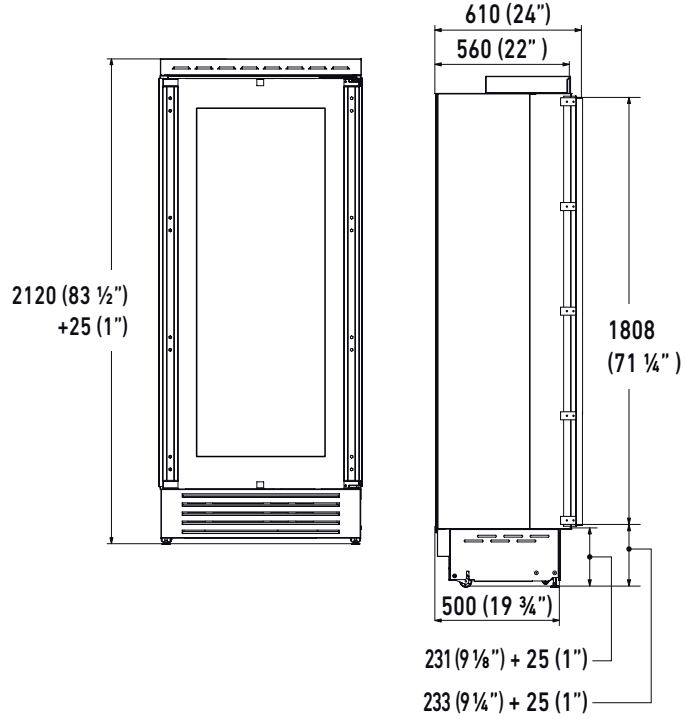


FRONT VIEW

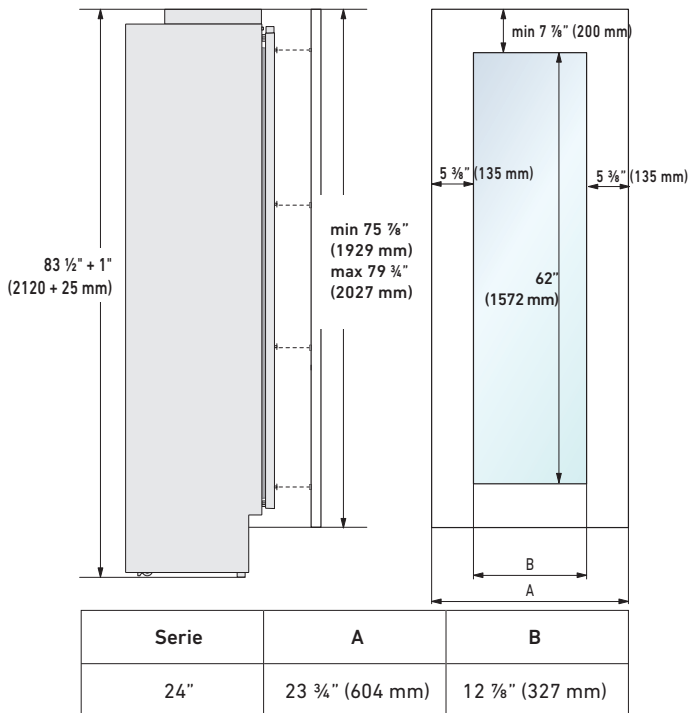


**A**  
Area to be left clear for the anti-tipping brackets

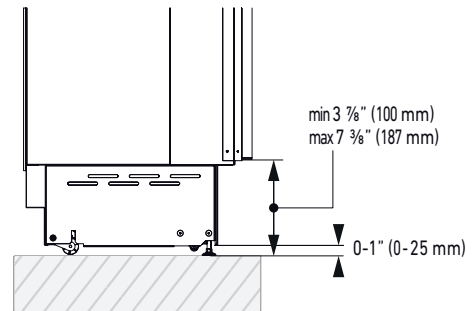
SIDE VIEW



### CUSTOM PANELS INFORMATION



### PLINTH SIZE



### INTEGRATED PANEL RECOMMENDATIONS

Panels with thickness ranging between 3/4" in (18 mm) and 1 1/8" in (28 mm)

|                          |                  |
|--------------------------|------------------|
| Door Panels Weight Max   | 75 lbs (34 kg)   |
| Drawer Panels Weight Max | N/A lbs (N/A kg) |

# FI24WCC-L02

24", WINE CELLAR, 0FW Model

FULLY INTEGRATED

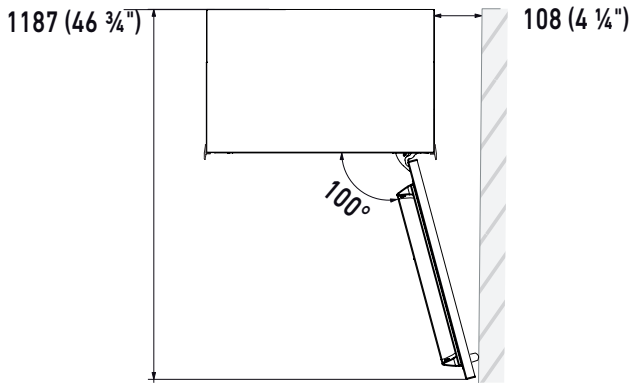
INTEGRATED® SERIES

## PRODUCT SPECIFICATIONS AND DIMENSIONS

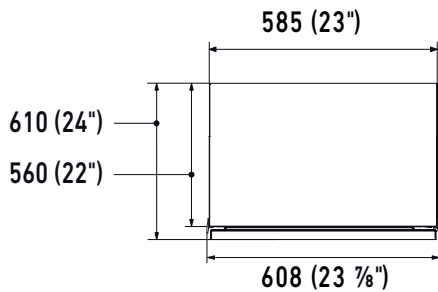
### TOP VIEWS

Door swing clearance

Minimum distance from the wall (hinge side)

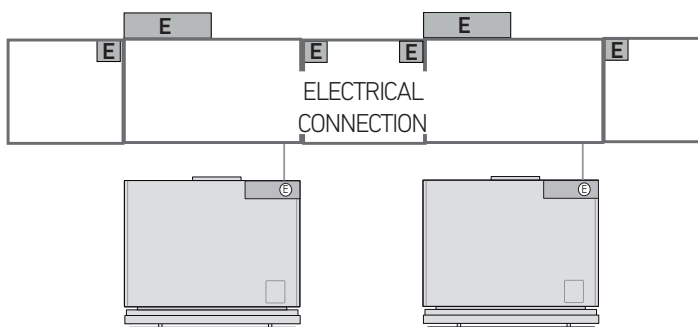


Width of the body of the appliance



Width of appliance with mounting brackets installed (effective width)

### Electrical Connection



Electrical and water connections (if applicable) should be reachable without having to uninstall the appliance. If the connections must be made directly behind the appliance then it is recommended to recess those connections.

**IMPORTANT:** do not put the water shut-off valve behind the appliance where it will be inaccessible.