

FI24B-R01

24", FRIDGE AND FREEZER, 0T Model

FULLY INTEGRATED

INTEGRATED® SERIES

Fhiaba



FEATURES

- Made in Italy
- TriMode™: Total Flexibility, make the bottom drawer a refrigerator, fresh food space, or freezer with the control menu
- OptiView™: OptiView LED lights
- EventLift™: Easily rearrange the shelving without removal using the EvenLift system
- ProVent™: Uniform air circulation maintains consistent temperatures throughout the appliance resulting in better food preservation
- Antibacterial Stainless Steel Interiors Drawers: Achieve the highest food quality by storing food in the stainless steel interior drawer that shields against the spread of bacteria
- Total No Frost: Temperature control prevents cooling loss when opening the refrigerator door. No more frost build-up that requires defrosting
- EquiLance™: Achieve a seamless built-in look with Fhiaba's innovative door hinge
- Soft - Close System: State-of-the-art closing system ensures drawers and doors close smoothly and quietly ever time
- Fhiaba TFT Control Panel Color Display: Fhiaba's interactive menu enables easy navigation to customize the appliance's settings to meet your needs
- Vacation: Reduce energy usage and optimize food storage during vacations using the setting
- Shopping: Use the shopping function to quickly cool room temperature or food recently placed into the refrigerator
- Sabbath Mode
- Anti-Vibration: Vibration protection shields wine bottles from rattling when stored inside the wine cooler
- Vacation: Reduce energy usage and optimize food storage during vacations using the setting
- Shopping: Use the shopping function to quickly cool room temperature or food recently placed into the refrigerator
- Sabbath Mode

GENERAL PROPERTIES

Equilance Hinge	YES
Soft-Closing Glides	YES
Low Vibration	YES
OptiView (Led Light Spots)	YES
Shelves	2
Type Of Shelves	GLASS
Door Bins	3
Fridge Interior Drawers	2
Freezer Drawers	1
Evenlift Shelves	YES
Full Extension Shelves 90° Door Opening	NO
Full Extension Drawers 90° Door Opening	YES
Defrost Process	AUTOMATIC
Ice Maker With Water Filter	NO
Door Open Alarms	YES
Shopping Fridge	YES
Shopping Freezer	YES
Power Failure Alert	YES

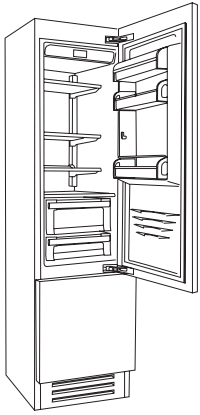
FI24B-R01

24", FRIDGE AND FREEZER, OT Model

FULLY INTEGRATED

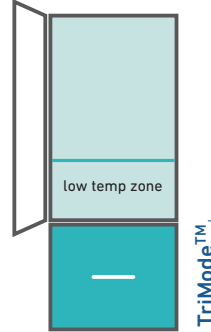
INTEGRATED® SERIES

PRODUCT DETAIL



Fhiaba

OT



1D | 1BD | 2M

D = door

BD = drawer

M = separate microclimates

CAPACITY

Net Capacity	11.6 cuft (328 l)
Upper Compartment Wine Cellar Capacity (Bottles)	N/A
Lower Compartment Wine Cellar Capacity (Bottles)	N/A

TECHNICAL DETAILS

Total Absorbed Current (A)	3.5
Voltage (V)	115
Frequency (Hz)	60
Power Cord Length	78 3/4" (2 m)
Plug Type	3-prong (15 Amp)
Climate Class	SN/T
Refrigerant (Gas)	R600a
Water Connection / Female Attachment	N/A

EFFICIENCY

Estimated Yearly Electricity Use	458 kwh
----------------------------------	---------

DIMENSIONS & WEIGHT

Height Of The Product (Minimum)	83 1/2" (2120 mm)
Adjustable Feet Height	up to 1" (25 mm)
Width Of The Product	23 7/8" (608 mm)
Depth Of Product Without Handle	24" (610 mm)
Cut-out Height	84" (2134 mm)
Cut-out Width	24" (610 mm)
Cut-out Depth	min 24" (610 mm) + panel thickness for flush install
Net Weight	326 lbs (148 kg)
Gross Weight	370 lbs (168 kg)

TEMPERATURE RANGES

Climate Zones	2
Compartment 1 / Upper Temperature	from 34°F(1°C) to 45°F (7°C)
Compartment 2 / Middle Temperature	N/A
Compartment 3 / Low Temperature	from 9°F (-13°C) to -9°F (-23°C)

FI24B-R01

24", FRIDGE AND FREEZER, OT Model

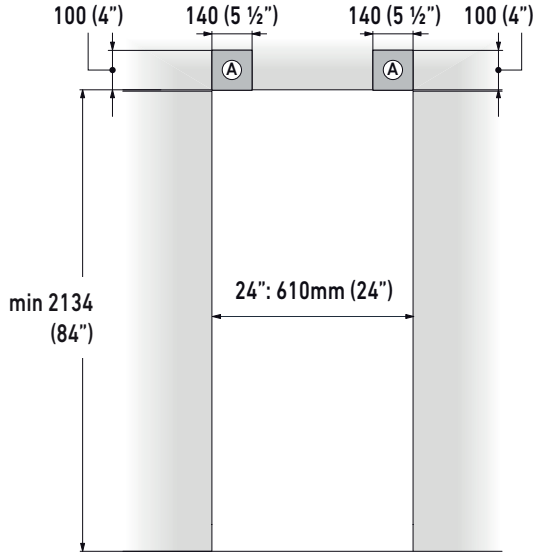
FULLY INTEGRATED

INTEGRATED® SERIES

PRODUCT SPECIFICATIONS AND DIMENSIONS

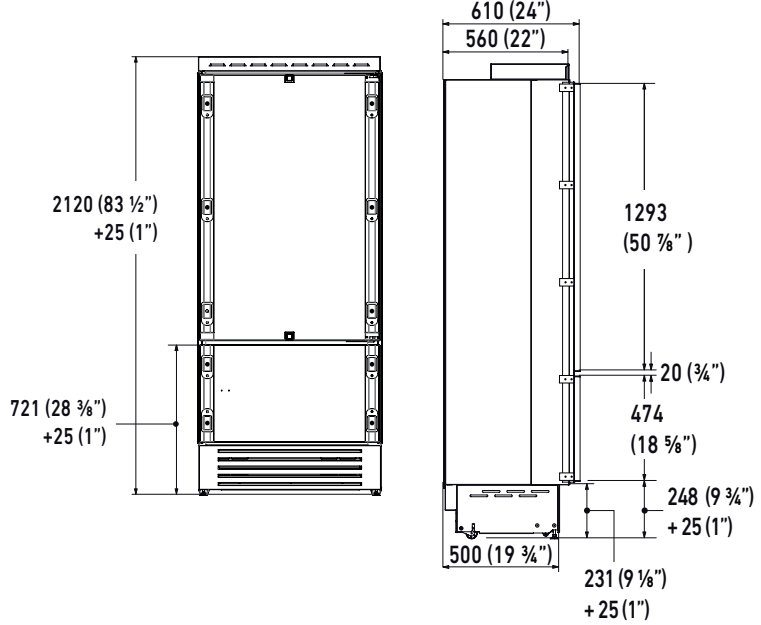


FRONT VIEW

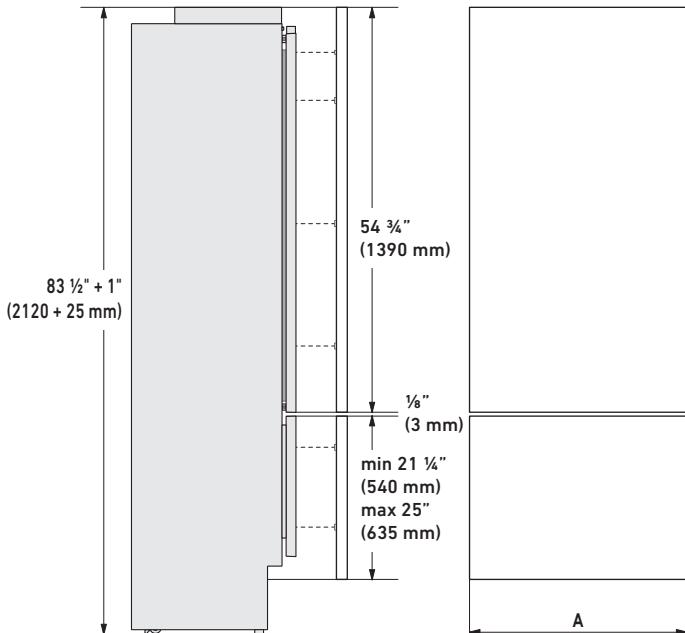


A
Area to be left clear for the anti-tipping brackets

SIDE VIEW

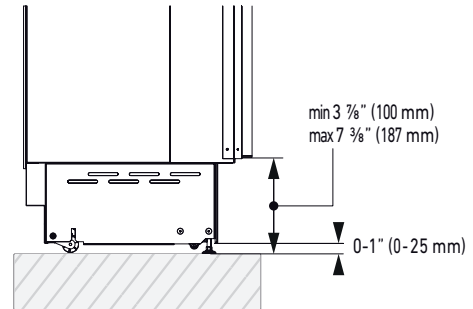


CUSTOM PANELS INFORMATION



Serie	A
24"	23 3/4" (604 mm)

PLINTH SIZE



INTEGRATED PANEL RECOMMENDATIONS

Panels with thickness ranging between 3/4" in (18 mm) and 1 1/8" in (28 mm)

Door Panels Weight Max	51 lbs (23 kg)
Drawer Panels Weight Max	24 lbs (11 kg)

FI24B-R01

24", FRIDGE AND FREEZER, 0T Model

FULLY INTEGRATED

INTEGRATED® SERIES

PRODUCT SPECIFICATIONS AND DIMENSIONS

TOP VIEWS

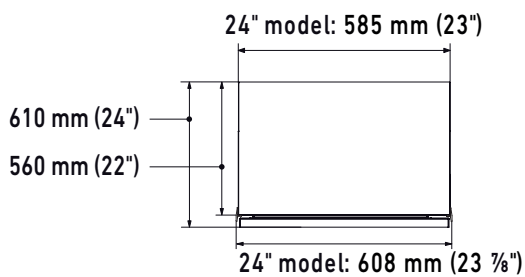
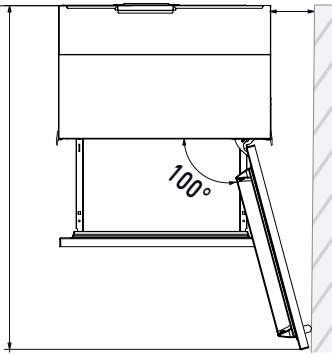


Door swing clearance

24" model: 1187 mm (46 ¾")

Minimum distance from the wall (hinge side)

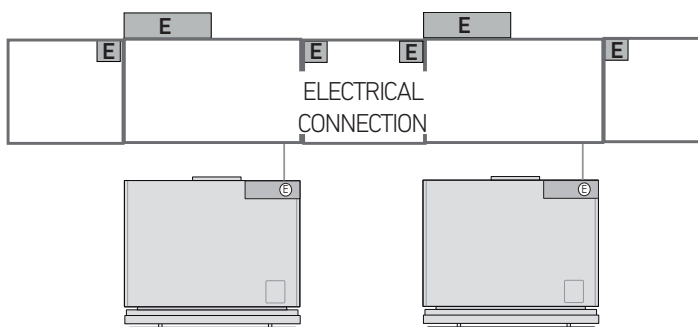
24" model: 108 mm (4 ¼")



Width of the body of the appliance

Width of appliance with mounting brackets installed (effective width)

Electrical Connection



Electrical and water connections (if applicable) should be reachable without having to uninstall the appliance. If the connections must be made directly behind the appliance then it is recommended to recess those connections.

IMPORTANT: do not put the water shut-off valve behind the appliance where it will be inaccessible.