

FI36FZC-L01

36", FREEZER, 0FZ Model

BUILT-IN

INTEGRATED® SERIE

Fhiaba



FEATURES

- Made in Italy.
- Aisi 304 stainless steel body.
- Aluminium interior finish
- Antibacterial stainless steel interior.
- Provent ventilation system encourages uniform distribution of cold air in all fridge compartments by laterally circulation air.
- Equilance: dual - movemenet patented hinge with self - balancing movement ensures stability and resistance.
- Optiview: multi - LED light array (top and side interior) provides brilliant illumination to the entire interior.
- Soft close door and drawers in all compartments
- Smart touch TFT display
- Acoustic and visual signals
- Total no frost 100% automatic system
- Variable speed compressors maintains precision temperature control with low vibration.
- Sabbath mode
- Front and rear adjustable feet up to 25 mm.
- One independent climatic zone.
- Tempered glass shelves with aluminium profiles.
- Crisper drawers for multi - use preservazion solution. Antibacterial stainless steel interior & rounded corners promoting hygiene and easy cleaning.
- Deep capacity within a standard depth is achieved by a side - mounted evaporators, wich leaves grater interior space.
- Full range of models and configurations (18", 24", 30" and 36"). Can easily be combined and configured with other Fhiaba fridge, freezer, wine cellar models to fit your kitchen needs.

GENERAL PROPERTIES

Reversible door	NO
Equilance	YES
SoftClosing Runner	NO
Low vibration	YES
Optiview (LED light spots)	YES
Shelves	2
Slide-out shelves	NO
Type of shelves	GLASS
Door Bins	2
Fridge drawers type	
Fresco/LowTemp Drawers	
Bottom drawers	4
Full Extension shelves 90° door opening	NO
Full Extension drawers 90° door opening	YES
Defrost Process	AUTOMATIC
Ice maker with water filter	YES
Door Open Alarms	YES
Humidity control	NO
Active carbon filter	NO
Air filter control	NO
Shopping Fridge	NO
Shopping Freezer	YES
Power Failure Function	YES

FI36FZC-L01

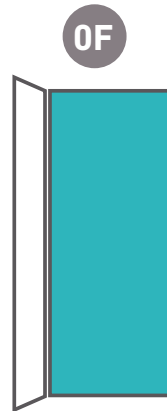
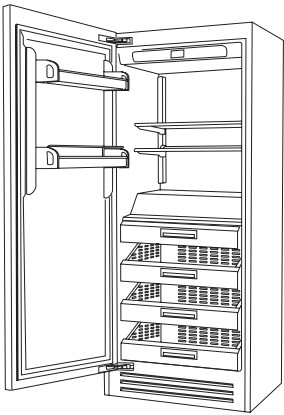
36", FREEZER, 0FZ Model

BUILT-IN

INTEGRATED® SERIE

PRODUCT DETAIL

Fhiaba



1D | 1M

freezer

D = door

M = separate microclimates

CAPACITY

Capacity (cbf)	
Compartment 1 / Upper wine cellar capacity (bottles)	
Compartment 2 / Lower wine cellar capacity (bottles)	
Compartment 3 / Bottom wine cellar capacity (bottles)	

TECHNICAL DETAILS

Absorbed power (W)	
Total absorbed current (A)	3.5
Voltage (V)	115
Frequency (Hz)	60
Power Cord Length (in)	78" 3/4
Plug Type	3-prong (15 Amp)
Climatic class	SN/T
Refrigerant (gas)	R600a
Water connection / female attachment	3/4" NPT (1/4" elbow)

EFFICIENCY

Estimated Yearly Electricity Use	
----------------------------------	--

DIMENSIONS & WEIGHT

Height of the product (closed weels) (in)	83" 1/2 (2120 mm)
Adjustable feet height (in)	1" (25 mm)
Width of the product (in)	36" (913 mm)
Depth of Product without handle (in)	24" (610 mm)
Wall cavity height (in)	84" (2134 mm)
Wall cavity width (in)	36" (914 mm)
Wall cavity depth (in)	min 24" (610 mm) + panel thickness for flush install
Net Weight (lbs)	401 (182 kg)
Gross Weight (lbs)	445 (202 kg)

TEMPERATURE RANGES

Climatic compartments	1
Compartment 1 / Upper temperature (°F)	from -13 to -23
Compartment 2 / Middle temperature (°F)	
Low temp zone	NO
Compartment 3 / Low temperature (°F)	
Dual zone	NO

FI36FZC-L01

36", FREEZER, 0FZ Model

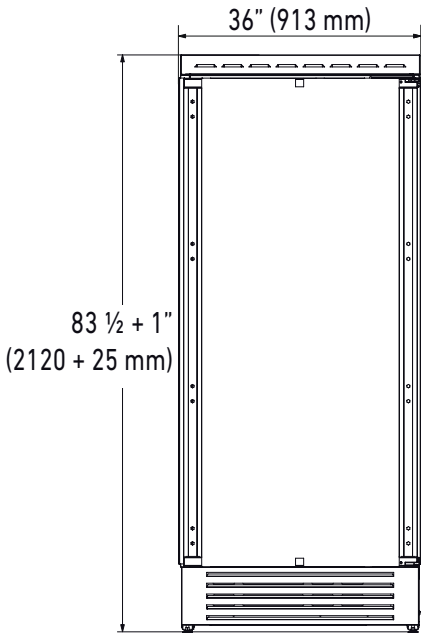
BUILT-IN

INTEGRATED® SERIE

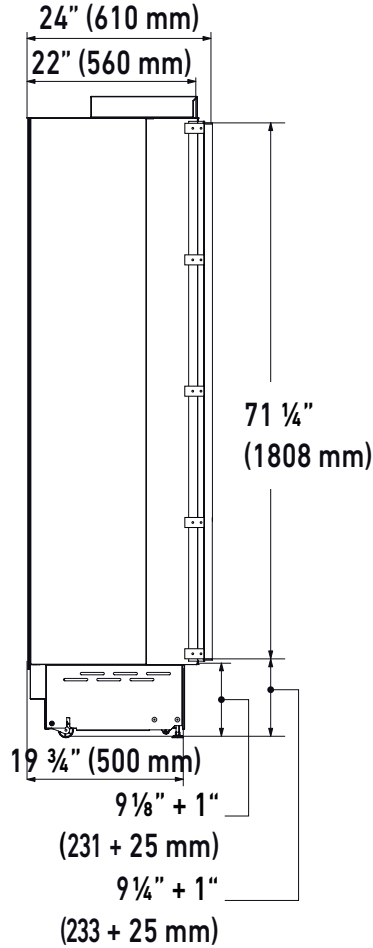
PRODUCT SPECIFICATIONS AND DIMENSIONS

Fhiaba

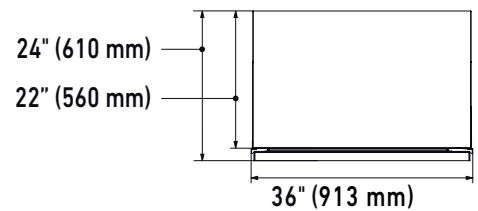
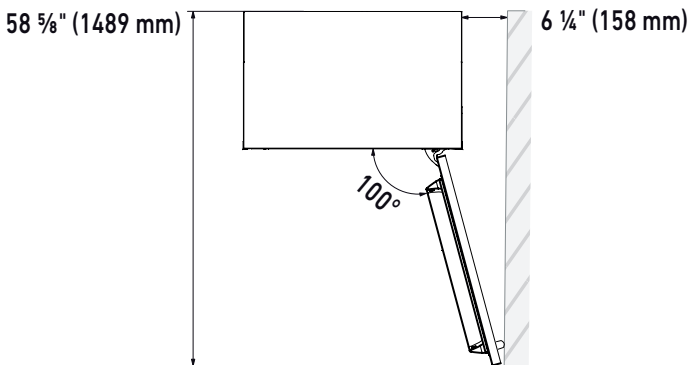
FRONT VIEW



SIDE VIEW



TOP VIEWS,



i For installation specifications, please consult with Fhiaba. For optimum installation, we recommend using the actual product as the best guide.

i Based on the adjustment of the feet and the height of the panel from the floor, the customer defines the perforated plinth to be installed on the equipment.

FI36FZC-L01

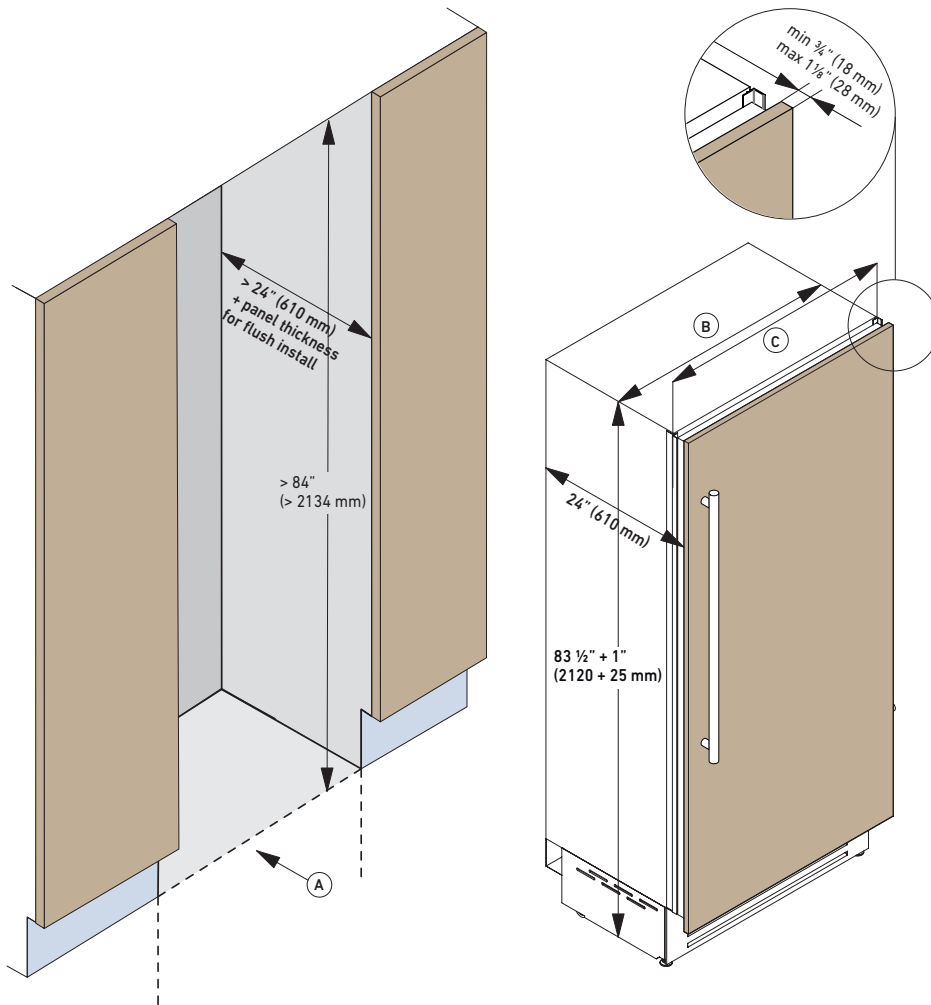
36", FREEZER, 0FZ Model

BUILT-IN

INTEGRATED® SERIE

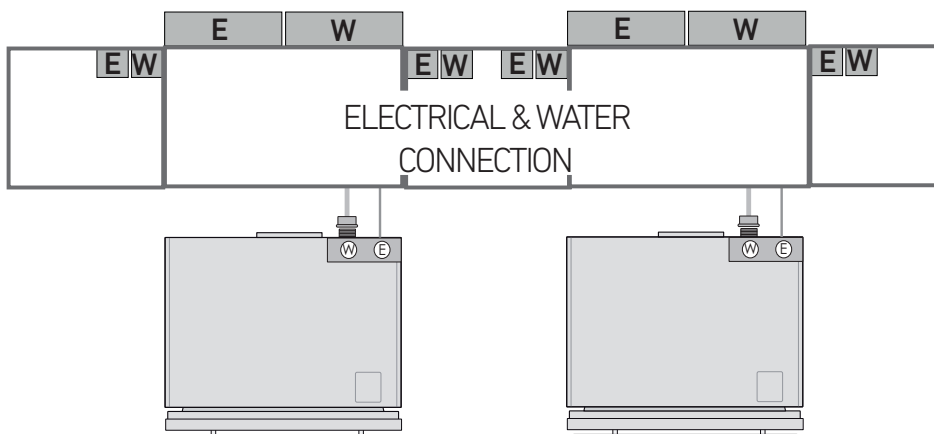
NICHE SPECIFICATIONS AND DIMENSIONS

Fhiaba



TECHNICAL DATA	
Niche Width A	36" (914 mm)
Unit Width B	34" 7/8 (887 mm)
Unit Width with lateral frames C	36" (913 mm)

Electrical and Water connection



FI36FZC-L01

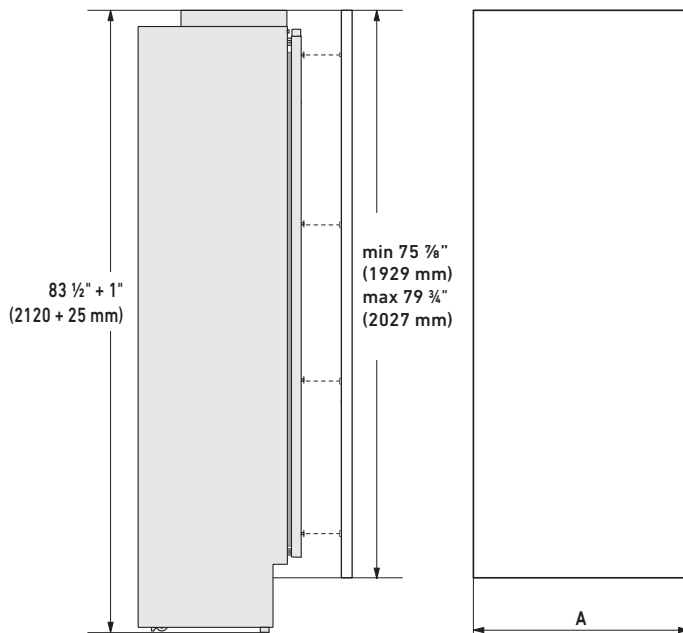
36", FREEZER, 0FZ Model

BUILT-IN

INTEGRATED® SERIE

CUSTOM PANELS INFORMATION

Fhiaba



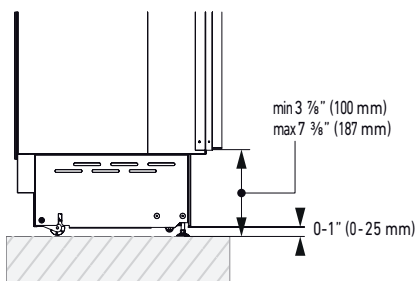
Serie	A
36"	35 3/4" (908 mm)



Integrated Panel Recommendations

Panels with thickness ranging between 3/4 in (18 mm) and 1" 1/8 in. (28 mm)
Door panels with weight max of lbs (kg) and drawer panels with weight max of lbs (kg) Provide installation of decorative panels during installation of the unit.

PLINTH SIZE



For installation specifications, please consult with Fhiaba.
For optimum installation, we recommend using the actual product as the best guide.

FI36FZC-L01

36", FREEZER, 0FZ Model

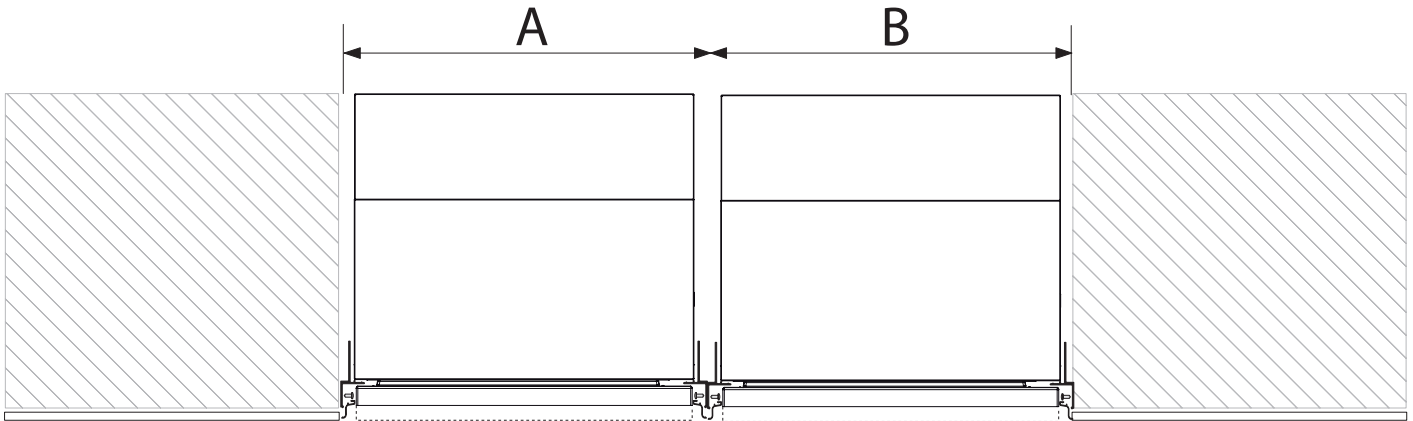
BUILT-IN

INTEGRATED® SERIE

INSTALLATION INFORMATION




Niche dimensions for combined installation



		A			
		18"	24"	30"	36"
B	18"	36"(914mm)	42"(1067mm)	48"(1220mm)	54"(1372mm)
	24"	42"(1067mm)	48"(1220mm)	54"(1372mm)	60"(1520mm)
	30"	48"(1220mm)	54"(1372mm)	60"(1520mm)	66"(1676mm)
	36"	54"(1372mm)	60"(1524mm)	66"(1676mm)	72"(1829mm)

ACCESSORIES

- Stainless steel sides panels
- Ice maker with water filter
- Water filtration system
- Joining kit
- Stainless steel tubular handleless 30mm
- Stainless steel tubular handleless 18mm
- Stainless steel panels
- Stainless steel portal for freestanding
- Extra length anti-tipping kit
- Anticondensation kit
- Cleaning kit
- Water filter cartridge
- FLD - Fhiaba Link Device
- Front ventilation kit
- 90° Door stop

 For installation specifications, please consult with Fhiaba. For optimum installation, we recommend using the actual product as the best guide.

