

FP24RFC-RS2

24", FRIDGE, OFR Model

BUILT-IN

X-PRO® SERIES

Fhiaba



FEATURES

- Made in Italy
- OptiView™: OptiView LED lights
- EventLift™: Easily rearrange the shelving without removal using the EvenLift system
- ProVent™: Uniform air circulation maintains consistent temperatures throughout the appliance resulting in better food preservation
- Antibacterial Stainless Steel Interiors Drawers: Achieve the highest food quality by storing food in the stainless steel interior drawer that shields against the spread of bacteria
- Total No Frost: No more frost build-up that requires defrosting
- EquiLance™: Achieve a seamless built-in look with Fhiaba's innovative door hinge
- Soft - Close System: State-of-the-art closing system ensures refrigerator crisper drawers close smoothly and quietly

GENERAL PROPERTIES

Equilance Hinge	YES
Soft-Closing Glides	YES
Low Vibration	YES
OptiView (Led Light Spots)	YES
Shelves	3
Type Of Shelves	GLASS
Door Bins	3
Fridge Interior Drawers	3
Freezer Drawers	N/A
Eventlift Shelves	YES
Full Extension Shelves 90° Door Opening	NO
Full Extension Drawers 90° Door Opening	YES
Defrost Process	AUTOMATIC
Door Open Alarms	YES
Shopping Fridge	YES
Shopping Freezer	NO
Power Failure Alert	YES
Ice Maker With Water Filter	NO
Water Dispenser With Water Filter	YES
Water Filter Cartridge	YES

FP24RFC-RS2

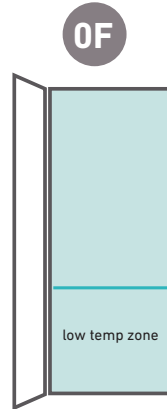
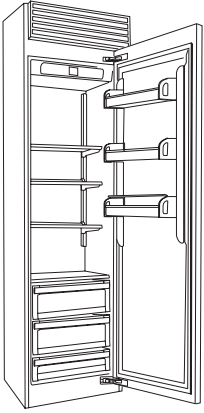
24", FRIDGE, OFR Model

BUILT-IN

X-PRO® SERIES

PRODUCT DETAIL

Fhiaba



1D | 1M

fridge

D = door

M = separate microclimates

CAPACITY

Net Capacity	13 cuft (368 l)
Upper Compartment Wine Cellar Capacity (Bottles)	N/A
Lower Compartment Wine Cellar Capacity (Bottles)	N/A

TECHNICAL DETAILS

Total Absorbed Current (A)	2.5
Voltage (V)	115
Frequency (Hz)	60
Power Cord Length	78 3/4" (2 m)
Plug Type	Nema 5-15P
Climate Class	SN/T
Refrigerant (Gas)	R600a
Water Connection / Female Attachment	3/4" NPT (1/4" elbow adapter)

EFFICIENCY

Estimated Yearly Electricity Use	296 kwh
----------------------------------	---------

DIMENSIONS & WEIGHT

Height Of The Product (Minimum)	83 1/2" (2120 mm)
Adjustable Feet Height	up to 1" (25 mm)
Width Of The Product	23 5/8" (599 mm)
Depth Of Product Without Handle	25" (635 mm)
Cut-out Height	84" (2134 mm)
Cut-out Width	23 3/4" (600 mm)
Cut-out Depth	min 25" (635 mm)
Net Weight	291 lbs (132 kg)
Gross Weight	335 lbs (152 kg)

TEMPERATURE RANGES

Climate Zones	1
Compartment 1 / Upper Temperature	from 34°F(1°C) to 45°F (7°C)
Compartment 2 / Middle Temperature	N/A
Compartment 3 / Low Temperature	N/A

FP24RFC-RS2

24", FRIDGE, OFR Model

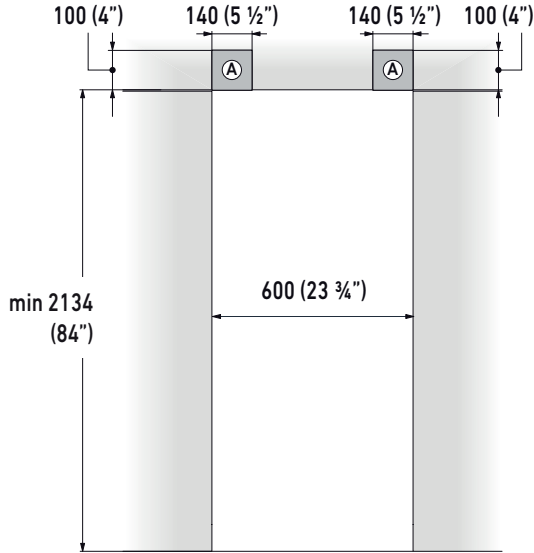
BUILT-IN

X-PRO® SERIES

PRODUCT SPECIFICATIONS AND DIMENSIONS

Fhiaba

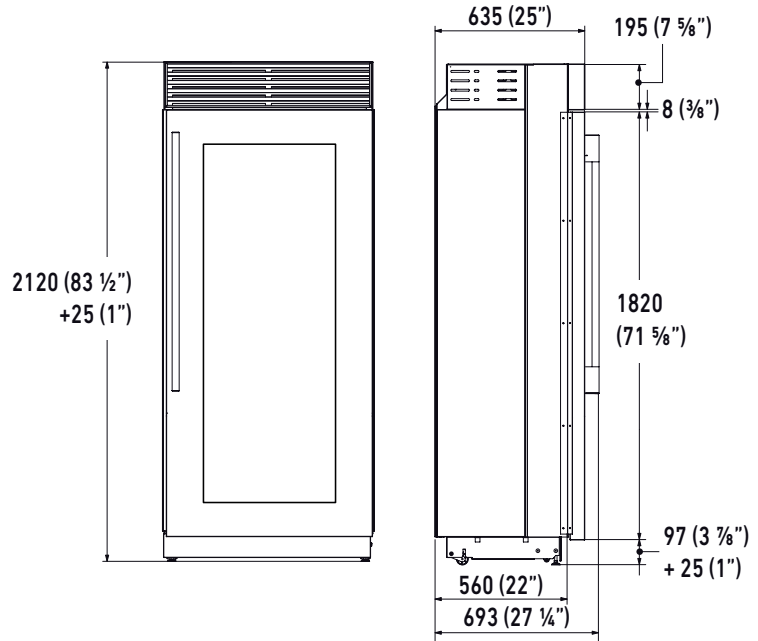
FRONT VIEW



A

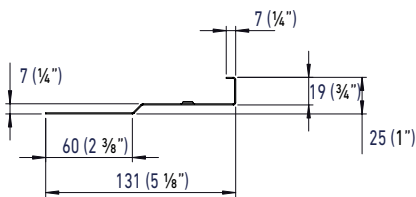
Area to be left clear for the anti-tipping brackets

SIDE VIEW



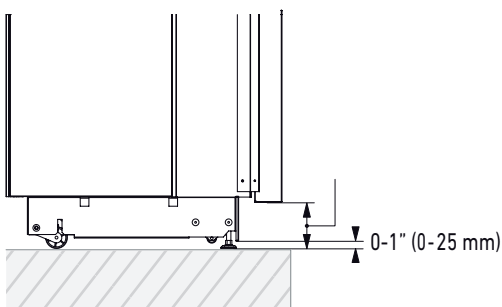
! Requires J-profile trim kit to finish the large openings / gaps around the appliance or use the standard plastic mounting clips for fitting into Euro width cabinet.

J profile

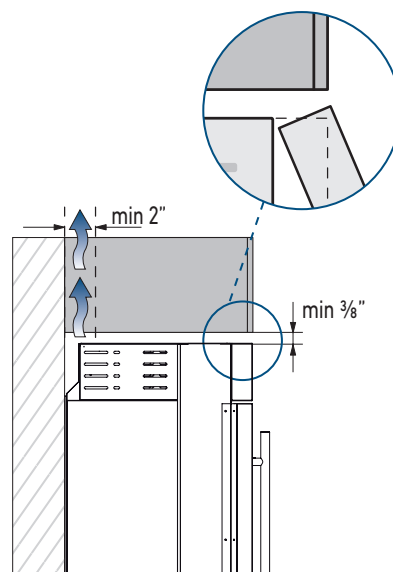


code FXJTRIMSS

PLINTH SIZE



TOP VENTILATION



!

If the units are to be installed inside a cutout or within an enclosed structure, it is necessary to design a ventilation shaft at the back of the cutout to assure proper ventilation at the back of the unit.

Cross-sectional chimney ventilation area should equal 200cm² (31in²).

FP24RFC-RS2

24", FRIDGE, OFR Model

BUILT-IN

X-PRO® SERIES

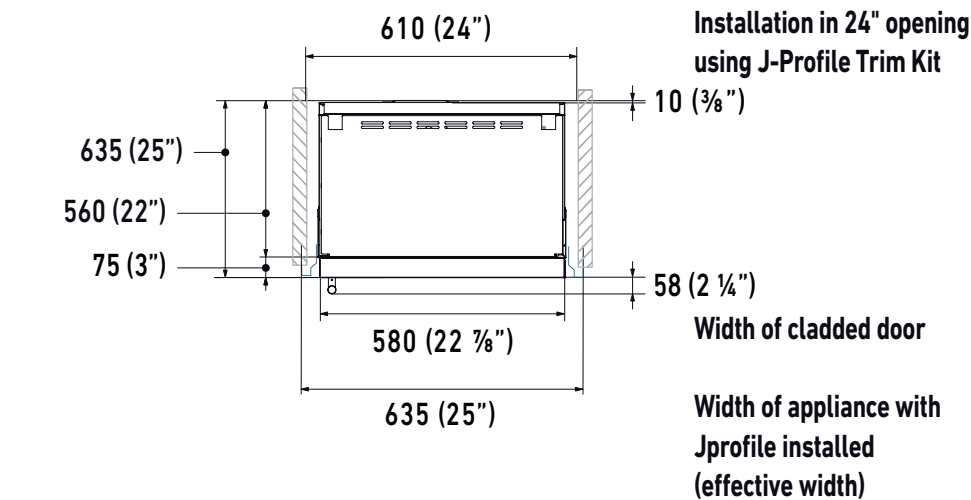
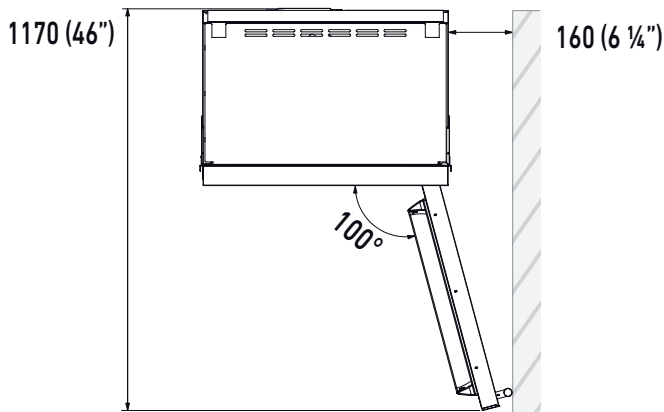
PRODUCT SPECIFICATIONS AND DIMENSIONS

TOP VIEWS

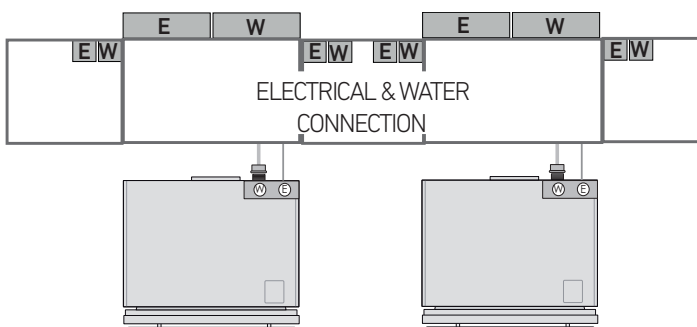


Door swing clearance

Minimum distance from the wall (hinge side)



Electrical Connection



Electrical and water connections (if applicable) should be reachable without having to uninstall the appliance. If the connections must be made directly behind the appliance then it is recommended to recess those connections. **IMPORTANT:** do not put the water shut-off valve behind the appliance where it will be inaccessible.