

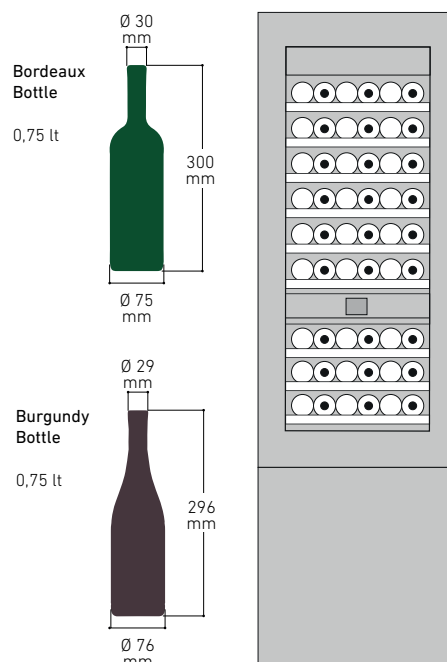
# FP24BWR-LGS1

24", WINE CELLAR AND FREEZER, 1T Model

BUILT-IN

X-PRO® SERIES

*Fhiaba*



## FEATURES

- Made in Italy
- TriMode™: Total Flexibility, make the bottom drawer a refrigerator, fresh food space, or freezer with the control menu
- ProVent™: Uniform air circulation maintains consistent temperatures throughout the appliance resulting in better food preservation
- OptiView™: OptiView LED lights
- ProVent™: Uniform air circulation maintains consistent temperatures throughout the appliance resulting in better food preservation
- Humidity Control: Choose between high, medium and low humidity – particularly important for wine storage
- Total No Frost: Temperature control prevents cooling loss when opening the refrigerator door. No more frost build-up that requires defrosting
- EquiLance™: Achieve a seamless built-in look with Fhiaba's innovative door hinge
- Fhiaba TFT Control Panel Color Display: Fhiaba's interactive menu enables easy navigation to customize the appliance's settings to meet your needs
- Sabbath Mode
- Anti-Vibration: Vibration protection shields wine bottles from rattling when stored inside the wine cooler
- Wine Cellar Natural Wood Shelves: Natural beechwood provides optimal wine storage preserving wine flavor and appearance
- Wine Cellar UV Protection: Triple-layer bronze glass doors protect against UV rays and direct heat from sunlight

## GENERAL PROPERTIES

Equilance Hinge	YES
Soft-Closing Glides	YES
Low Vibration	YES
OptiView (Led Light Spots)	YES
Shelves	9
Type Of Shelves	WOOD
Door Bins	N/A
Fridge Interior Drawers	N/A
Freezer Drawers	1
Evenlift Shelves	NO
Full Extension Shelves 90° Door Opening	YES
Full Extension Drawers 90° Door Opening	YES
Defrost Process	AUTOMATIC
Ice Maker With Water Filter	NO
Door Open Alarms	YES
Shopping Fridge	NO
Shopping Freezer	YES
Power Failure Alert	YES

# FP24BWR-LGS1

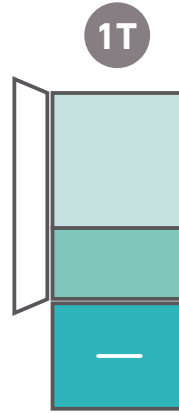
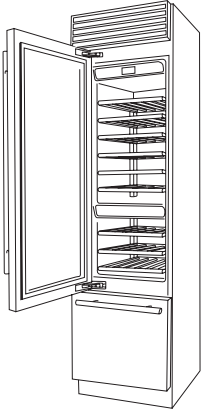
24", WINE CELLAR AND FREEZER, 1T Model

BUILT-IN

X-PRO® SERIES

## PRODUCT DETAIL

*Fhiaba*



1D | 1BD | 3M

**D** = door

**BD** = drawer

**M** = separate microclimates

### CAPACITY

Net Capacity	10.6 cuft (300 l)
Upper Compartment Wine Cellar Capacity (Bottles)	36
Lower Compartment Wine Cellar Capacity (Bottles)	18

### TECHNICAL DETAILS

Total Absorbed Current (A)	3.5
Voltage (V)	115
Frequency (Hz)	60
Power Cord Length	78 3/4" (2 m)
Plug Type	3-prong (15 Amp)
Climate Class	SN/T
Refrigerant (Gas)	R600a
Water Connection / Female Attachment	N/A

### EFFICIENCY

Estimated Yearly Electricity Use	353 kwh
----------------------------------	---------

### DIMENSIONS & WEIGHT

Height Of The Product (Minimum)	83 1/2" (2120 mm)
Adjustable Feet Height	up to 1" (25 mm)
Width Of The Product	24" (610 mm)
Depth Of Product Without Handle	25" (635 mm)
Cut-out Height	84" (2134 mm)
Cut-out Width	24" (610 mm)
Cut-out Depth	min 25" (635 mm)
Net Weight	357 lbs (162 kg)
Gross Weight	401 lbs (182 kg)

### TEMPERATURE RANGES

Climate Zones	3
Compartment 1 / Upper Temperature	from 39°F (4°C) to 64°F (18°C)
Compartment 2 / Middle Temperature	from 39°F (4°C) to 64°F (18°C)
Compartment 3 / Low Temperature	from 9°F (-13°C) to -9°F (-23°C)

# FP24BWR-LGS1

24", WINE CELLAR AND FREEZER, 1T Model

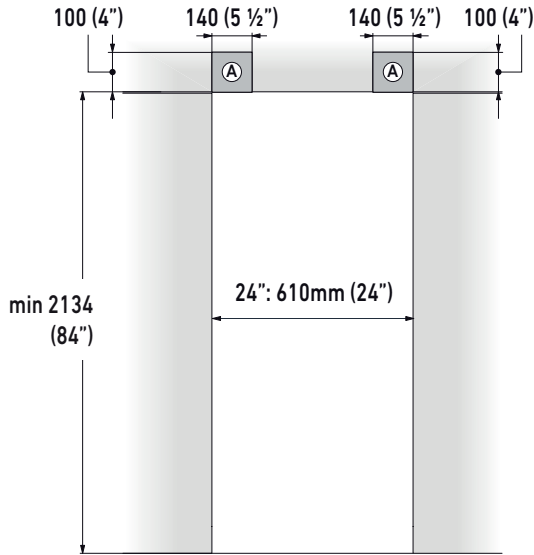
BUILT-IN

X-PRO® SERIES

## PRODUCT SPECIFICATIONS AND DIMENSIONS

*Fhiaba*

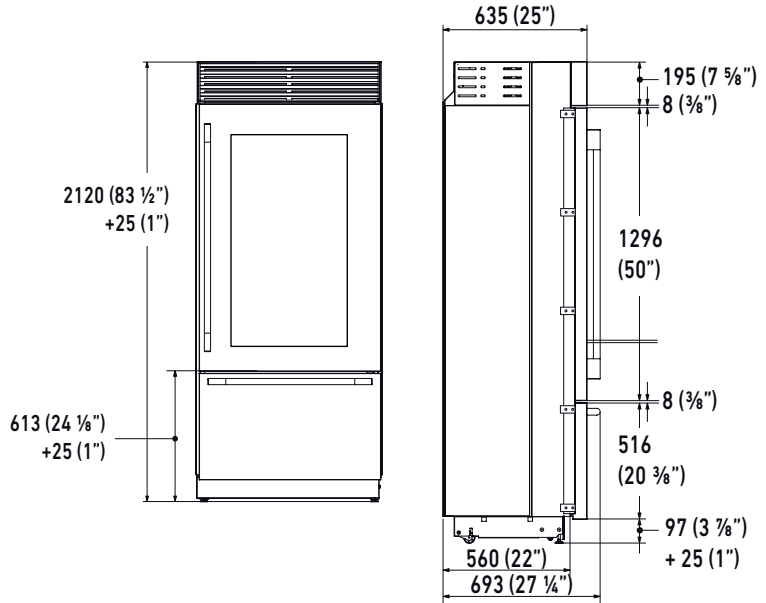
FRONT VIEW



A

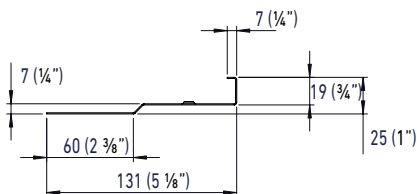
Area to be left clear for the anti-tipping brackets

SIDE VIEW



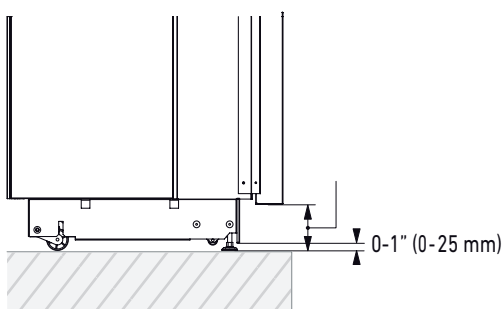
**!** Requires J-profile trim kit to finish the large openings / gaps around the appliance or use the standard plastic mounting clips fro fitting into Euro width cabinet.

### J profile

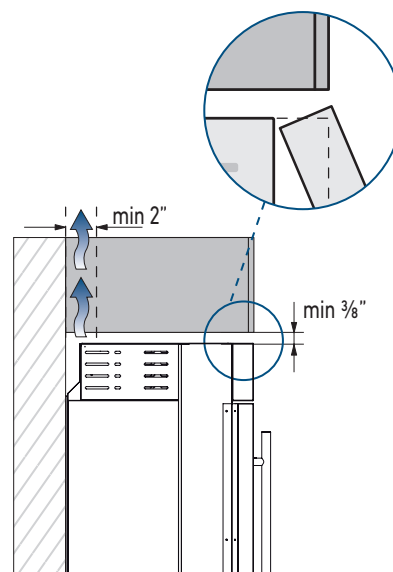


code FXJTRIMSS

### PLINTH SIZE



### TOP VENTILATION



**!**

If the units are to be installed inside a cutout or within an enclosed structure, it is necessary to design a ventilation shaft at the back of the cutout to assure proper ventilation at the back of the unit.

Cross-sectional chimney ventilation area should equal 200cm<sup>2</sup> (31in<sup>2</sup>).

# FP24BWR-LGS1

24", WINE CELLAR AND FREEZER, 1T Model

BUILT-IN

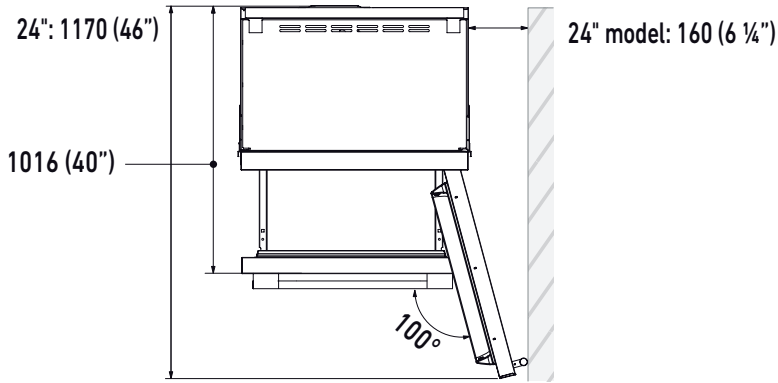
X-PRO® SERIES

## PRODUCT SPECIFICATIONS AND DIMENSIONS

### TOP VIEWS

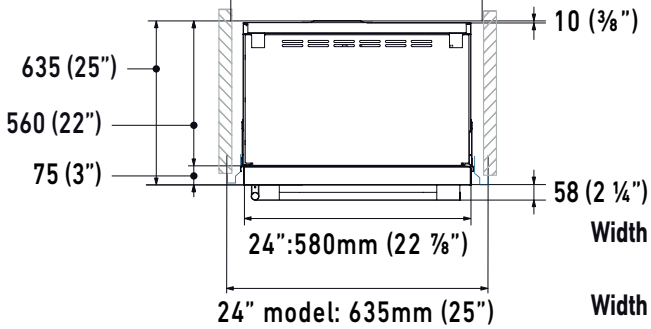
#### Door swing clearance

#### Minimum distance from the wall (hinge side)



24" model: 610mm (24")

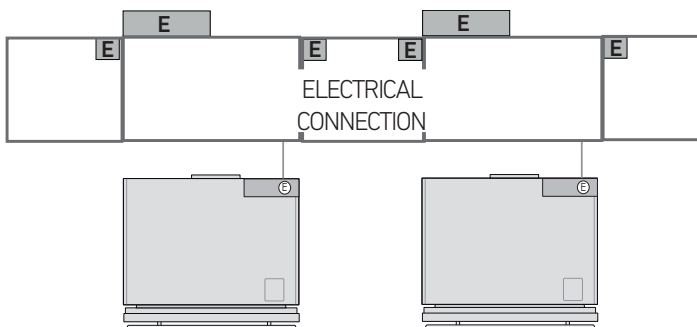
#### Width of the body of the appliance



#### Width of cladded door

#### Width of appliance with Jprofile installed (effective width)

### Electrical Connection



Electrical and water connections (if applicable) should be reachable without having to uninstall the appliance. If the connections must be made directly behind the appliance then it is recommended to recess those connections. **IMPORTANT:** do not put the water shut-off valve behind the appliance where it will be inaccessible.