

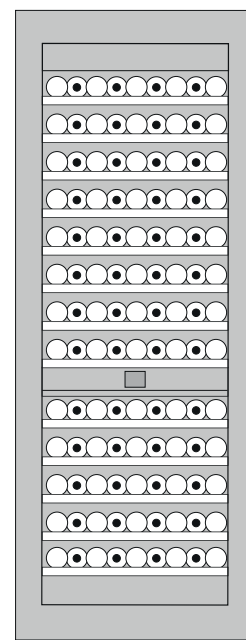
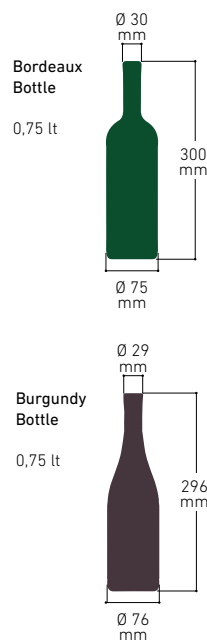
# FP30WCC-LS2

30", WINE CELLAR, 0FW Model

BUILT-IN

X-PRO® SERIES

*Fhiaba*



## FEATURES

- Made in Italy
- OptiView™: OptiView LED lights
- ProVent™: Uniform air circulation maintains consistent temperatures throughout the appliance resulting in better food preservation
- Humidity Control: Choose between high, medium and low humidity – particularly important for wine storage
- Total No Frost: No more frost build-up that requires defrosting
- EquiLance™: Achieve a seamless built-in look with Fhiaba's innovative door hinge

## GENERAL PROPERTIES

|   |           |
|---|-----------|
| Equilance Hinge                         | YES       |
| Soft-Closing Glides                     | YES       |
| Low Vibration                           | YES       |
| OptiView (Led Light Spots)              | YES       |
| Shelves                                 | 13        |
| Type Of Shelves                         | WOOD      |
| Door Bins                               | N/A       |
| Fridge Interior Drawers                 | N/A       |
| Freezer Drawers                         | N/A       |
| Evenlift Shelves                        | NO        |
| Full Extension Shelves 90° Door Opening | YES       |
| Full Extension Drawers 90° Door Opening | NO        |
| Defrost Process                         | AUTOMATIC |
| Door Open Alarms                        | YES       |
| Shopping Fridge                         | NO        |
| Shopping Freezer                        | NO        |
| Power Failure Alert                     | YES       |
| Ice Maker With Water Filter             | NO        |
| Water Dispenser With Water Filter       | NO        |
| Water Filter Cartridge                  | NO        |

# FP30WCC-LS2

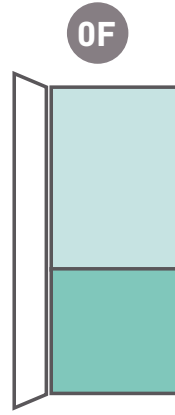
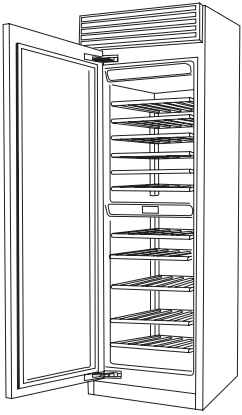
30", WINE CELLAR, OFW Model

BUILT-IN

X-PRO® SERIES

## PRODUCT DETAIL

*Fhiaba*



OF

1D | 2M

wine cellar

D = door

M = separate microclimates

### CAPACITY

|  |                   |
|--|-------------------|
| Net Capacity                                     | 16.8 cuft (477 l) |
| Upper Compartment Wine Cellar Capacity (Bottles) | 72                |
| Lower Compartment Wine Cellar Capacity (Bottles) | 45                |

### TECHNICAL DETAILS

|                                      |               |
|--------------------------------------|---------------|
| Total Absorbed Current (A)           | 2.5           |
| Voltage (V)                          | 115           |
| Frequency (Hz)                       | 60            |
| Power Cord Length                    | 78 3/4" (2 m) |
| Plug Type                            | Nema 5-15P    |
| Climate Class                        | SN/T          |
| Refrigerant (Gas)                    | R600a         |
| Water Connection / Female Attachment | N/A           |

### EFFICIENCY

|                                  |         |
|----------------------------------|---------|
| Estimated Yearly Electricity Use | 232 kwh |
|----------------------------------|---------|

### DIMENSIONS & WEIGHT

|                                 |                   |
|---------------------------------|-------------------|
| Height Of The Product (Minimum) | 83 1/2" (2120 mm) |
| Adjustable Feet Height          | up to 1" (25 mm)  |
| Width Of The Product            | 29 1/2" (749 mm)  |
| Depth Of Product Without Handle | 25" (635 mm)      |
| Cut-out Height                  | 84" (2134 mm)     |
| Cut-out Width                   | 29 5/8" (752 mm)  |
| Cut-out Depth                   | min 25" (635 mm)  |
| Net Weight                      | 337 lbs (153 kg)  |
| Gross Weight                    | 384 lbs (174 kg)  |

### TEMPERATURE RANGES

|                                    |                                |
|------------------------------------|--------------------------------|
| Climate Zones                      | 2                              |
| Compartment 1 / Upper Temperature  | from 39°F (4°C) to 64°F (18°C) |
| Compartment 2 / Middle Temperature | N/A                            |
| Compartment 3 / Low Temperature    | from 39°F (4°C) to 64°F (18°C) |

# FP30WCC-LS2

30", WINE CELLAR, 0FW Model

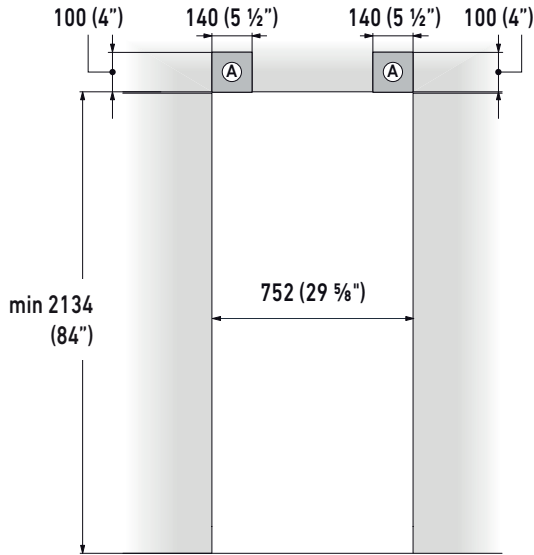
BUILT-IN

X-PRO® SERIES

## PRODUCT SPECIFICATIONS AND DIMENSIONS

*Fhiaba*

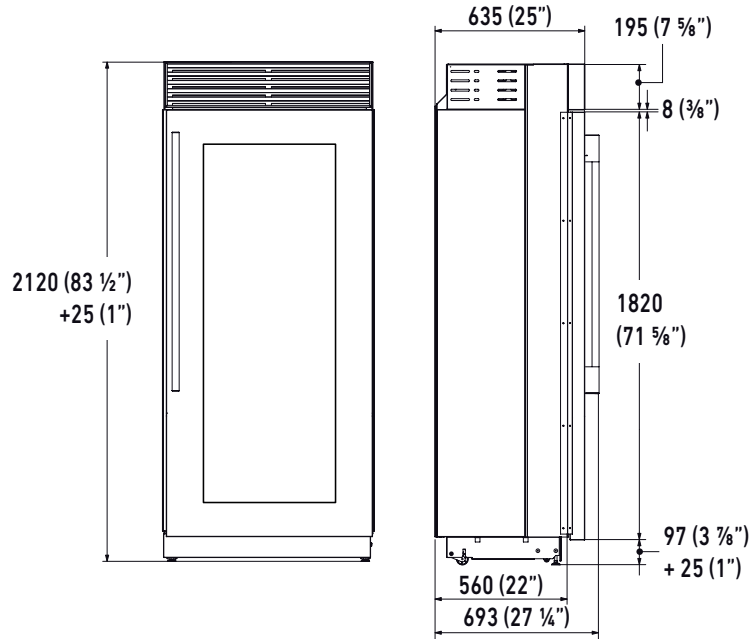
FRONT VIEW



**A**

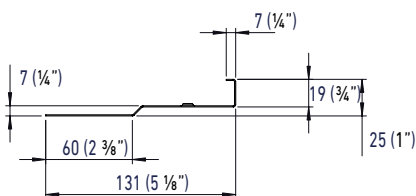
Area to be left clear for the anti-tipping brackets

SIDE VIEW



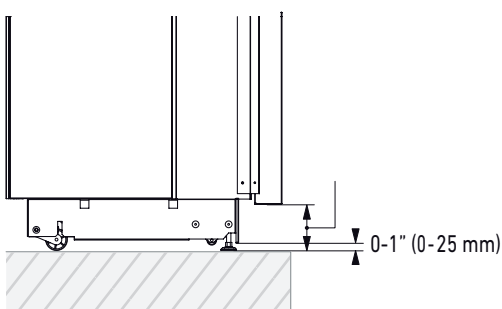
**!** Requires J-profile trim kit to finish the large openings / gaps around the appliance or use the standard plastic mounting clips for fitting into Euro width cabinet.

### J profile

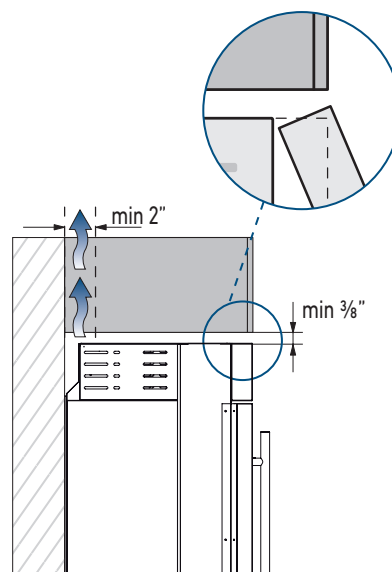


code FXJTRIMSS

### PLINTH SIZE



### TOP VENTILATION



**!**

If the units are to be installed inside a cutout or within an enclosed structure, it is necessary to design a ventilation shaft at the back of the cutout to assure proper ventilation at the back of the unit.

Cross-sectional chimney ventilation area should equal 200cm<sup>2</sup> (31in<sup>2</sup>).

# FP30WCC-LS2

30", WINE CELLAR, 0FW Model

BUILT-IN

X-PRO® SERIES

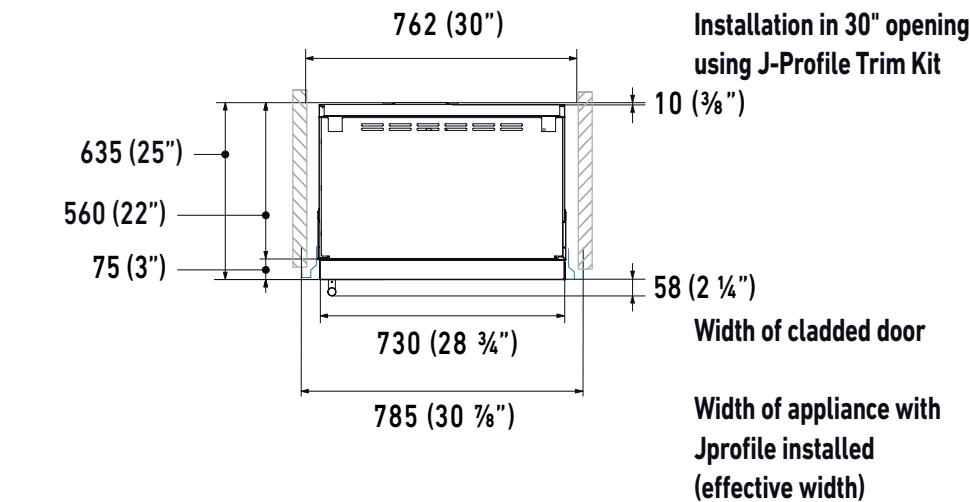
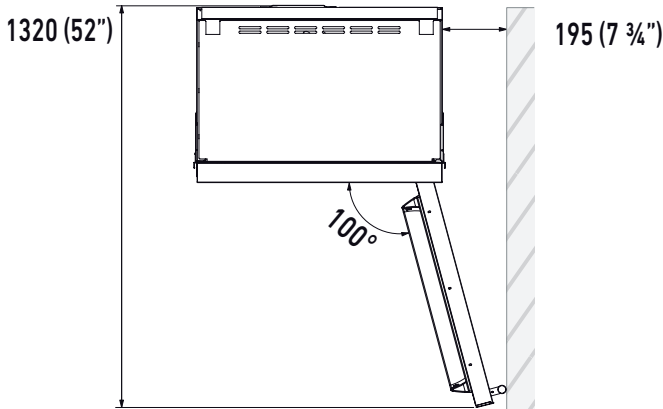
## PRODUCT SPECIFICATIONS AND DIMENSIONS

### TOP VIEWS

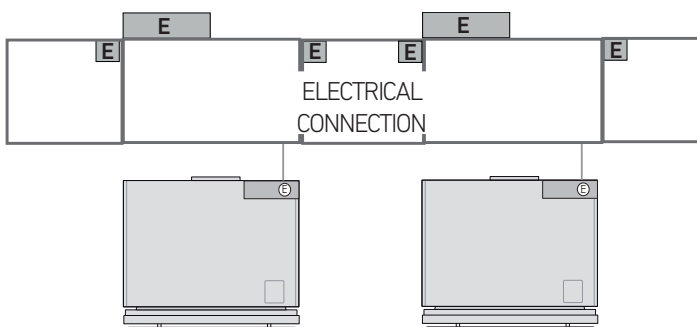


#### Door swing clearance

#### Minimum distance from the wall (hinge side)



### Electrical Connection



Electrical and water connections (if applicable) should be reachable without having to uninstall the appliance. If the connections must be made directly behind the appliance then it is recommended to recess those connections. **IMPORTANT:** do not put the water shut-off valve behind the appliance where it will be inaccessible.