

# FP30FZC-RS2

30", FREEZER, 0FZ Model

BUILT-IN

X-PRO® SERIES

*Fhiaba*



## FEATURES

- Made in Italy
- OptiView™: OptiView LED lights
- EventLift™: Easily rearrange the shelving without removal using the EvenLift system
- ProVent™: Uniform air circulation maintains consistent temperatures throughout the appliance resulting in better food preservation
- Antibacterial Stainless Steel Interiors Drawers: Achieve the highest food quality by storing food in the stainless steel interior drawer that shields against the spread of bacteria
- Total No Frost: No more frost build-up that requires defrosting
- Ice Maker: Get high-quality ice cubes in a choice of two sizes
- Water Filter: Get pure water and crystal-clear ice thanks to the integrated water filter and ice maker
- SuperIce™: Temporarily increase ice cube production for gatherings and parties
- Ice Size: Easily switch between medium and large ice cubes
- EquiLance™: Achieve a seamless built-in look with Fhiaba's innovative door hinge

## GENERAL PROPERTIES

|   |           |
|---|-----------|
| Equilance Hinge                         | YES       |
| Soft-Closing Glides                     | YES       |
| Low Vibration                           | YES       |
| OptiView (Led Light Spots)              | YES       |
| Shelves                                 | 2         |
| Type Of Shelves                         | GLASS     |
| Door Bins                               | 2         |
| Fridge Interior Drawers                 | N/A       |
| Freezer Drawers                         | 4         |
| Eventlift Shelves                       | NO        |
| Full Extension Shelves 90° Door Opening | NO        |
| Full Extension Drawers 90° Door Opening | YES       |
| Defrost Process                         | AUTOMATIC |
| Door Open Alarms                        | YES       |
| Shopping Fridge                         | NO        |
| Shopping Freezer                        | YES       |
| Power Failure Alert                     | YES       |
| Ice Maker With Water Filter             | YES       |
| Water Dispenser With Water Filter       | NO        |
| Water Filter Cartridge                  | NO        |

# FP30FZC-RS2

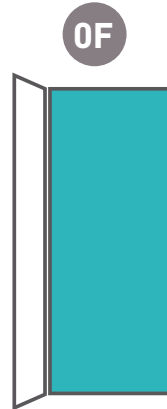
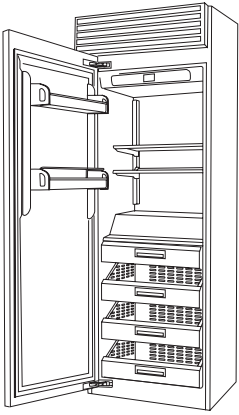
30", FREEZER, 0FZ Model

BUILT-IN

X-PRO® SERIES

## PRODUCT DETAIL

*Fhiaba*



1D | 1M

freezer

D = door

M = separate microclimates

### CAPACITY

|  |                 |
|--|-----------------|
| Net Capacity                                     | 16 cuft (452 l) |
| Upper Compartment Wine Cellar Capacity (Bottles) | N/A             |
| Lower Compartment Wine Cellar Capacity (Bottles) | N/A             |

### TECHNICAL DETAILS

|                                      |                               |
|--------------------------------------|-------------------------------|
| Total Absorbed Current (A)           | 2.5                           |
| Voltage (V)                          | 115                           |
| Frequency (Hz)                       | 60                            |
| Power Cord Length                    | 78 3/4" (2 m)                 |
| Plug Type                            | Nema 5-15P                    |
| Climate Class                        | SN/T                          |
| Refrigerant (Gas)                    | R600a                         |
| Water Connection / Female Attachment | 3/4" NPT (1/4" elbow adapter) |

### EFFICIENCY

|                                  |         |
|----------------------------------|---------|
| Estimated Yearly Electricity Use | 598 kwh |
|----------------------------------|---------|

### DIMENSIONS & WEIGHT

|                                 |                   |
|---------------------------------|-------------------|
| Height Of The Product (Minimum) | 83 1/2" (2120 mm) |
| Adjustable Feet Height          | up to 1" (25 mm)  |
| Width Of The Product            | 29 1/2" (749 mm)  |
| Depth Of Product Without Handle | 25" (635 mm)      |
| Cut-out Height                  | 84" (2134 mm)     |
| Cut-out Width                   | 29 5/8" (752 mm)  |
| Cut-out Depth                   | min 25" (635 mm)  |
| Net Weight                      | 368 lbs (167 kg)  |
| Gross Weight                    | 414 lbs (188 kg)  |

### TEMPERATURE RANGES

|                                    |                                  |
|------------------------------------|----------------------------------|
| Climate Zones                      | 1                                |
| Compartment 1 / Upper Temperature  | from 9°F (-13°C) to -9°F (-23°C) |
| Compartment 2 / Middle Temperature | N/A                              |
| Compartment 3 / Low Temperature    | N/A                              |

# FP30FZC-RS2

30", FREEZER, 0FZ Model

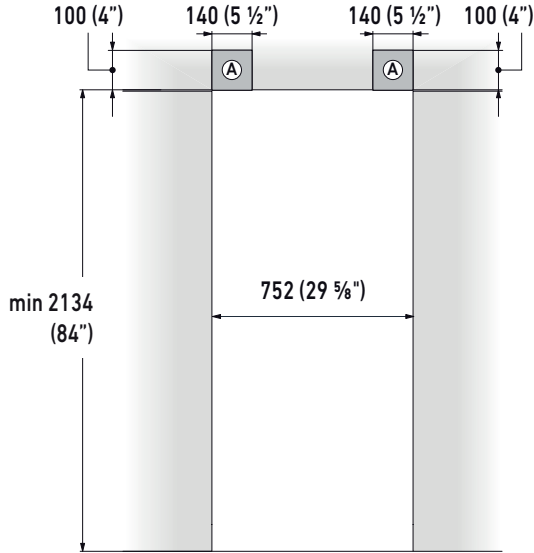
BUILT-IN

X-PRO® SERIES

## PRODUCT SPECIFICATIONS AND DIMENSIONS

*Fhiaba*

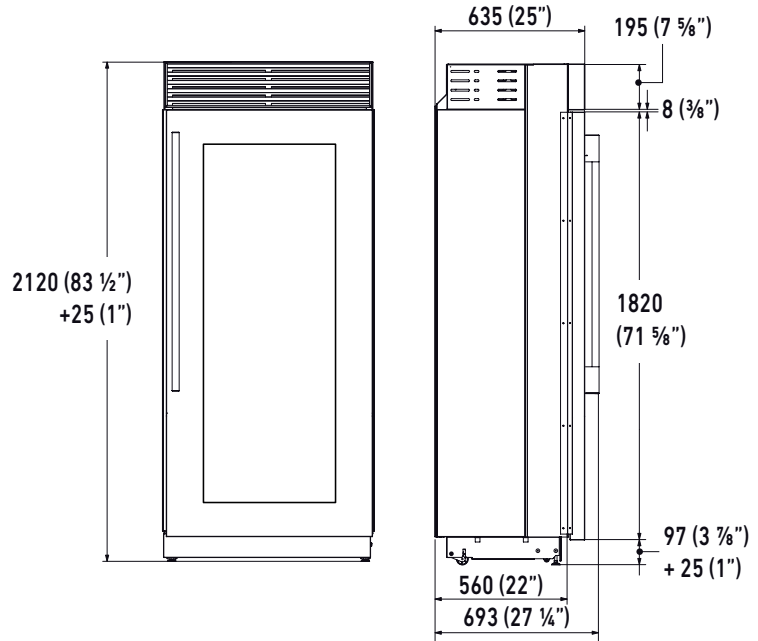
FRONT VIEW



**A**

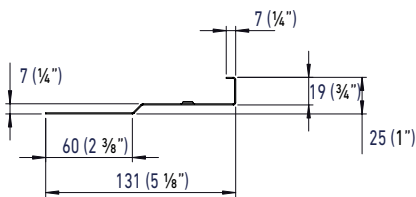
Area to be left clear for the anti-tipping brackets

SIDE VIEW



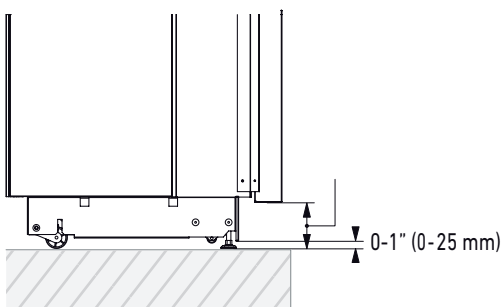
**!** Requires J-profile trim kit to finish the large openings / gaps around the appliance or use the standard plastic mounting clips for fitting into Euro width cabinet.

### J profile

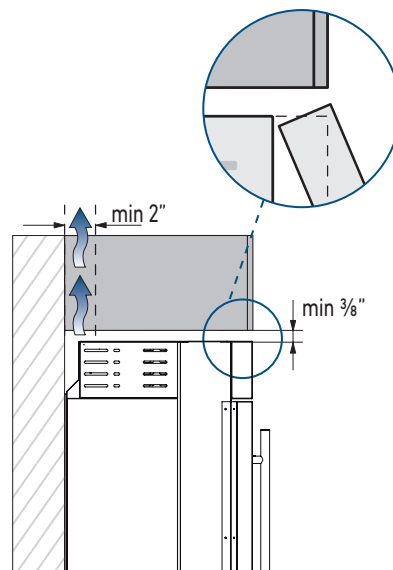


code FXJTRIMSS

### PLINTH SIZE



### TOP VENTILATION



**!**

If the units are to be installed inside a cutout or within an enclosed structure, it is necessary to design a ventilation shaft at the back of the cutout to assure proper ventilation at the back of the unit.

Cross-sectional chimney ventilation area should equal 200cm<sup>2</sup> (31in<sup>2</sup>).

# FP30FZC-RS2

30", FREEZER, 0FZ Model

BUILT-IN

X-PRO® SERIES

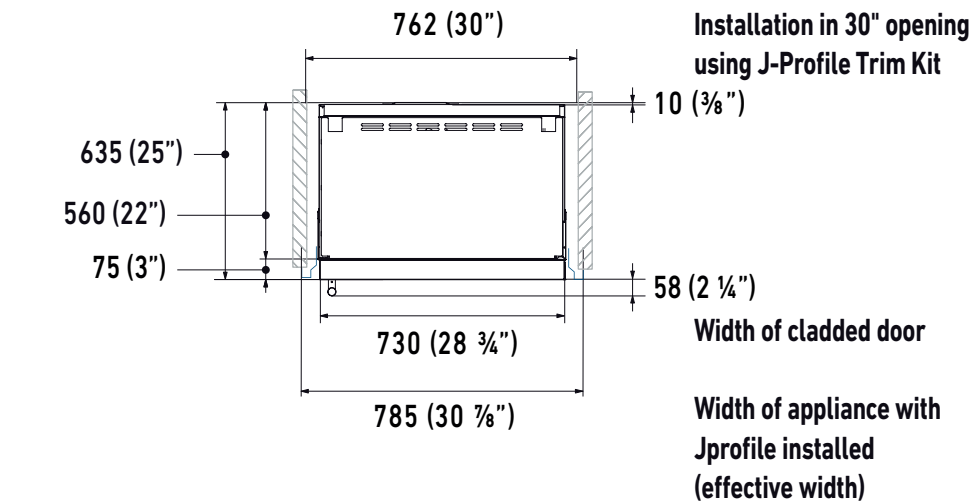
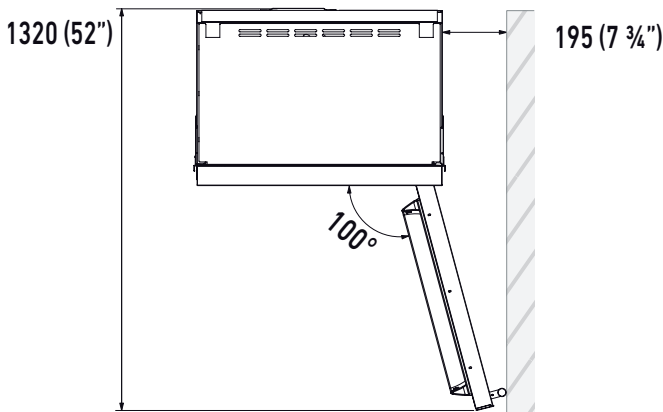
## PRODUCT SPECIFICATIONS AND DIMENSIONS

### TOP VIEWS

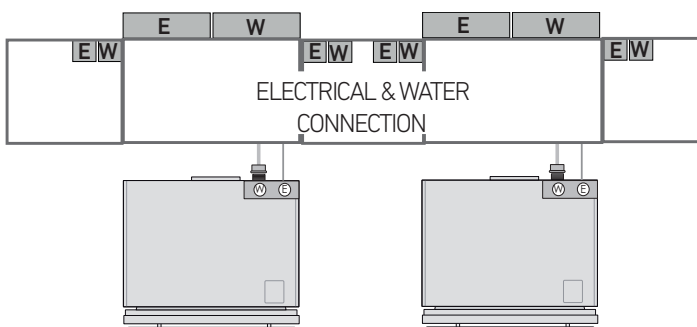


#### Door swing clearance

#### Minimum distance from the wall (hinge side)



### Electrical Connection



Electrical and water connections (if applicable) should be reachable without having to uninstall the appliance. If the connections must be made directly behind the appliance then it is recommended to recess those connections. **IMPORTANT:** do not put the water shut-off valve behind the appliance where it will be inaccessible.