

# FP30BI-RS1

30", FRIDGE AND FREEZER, OT Model

BUILT-IN

X-PRO® SERIES

*Fhiaba*



## FEATURES

- Made in Italy
- TriMode™: Total Flexibility, make the bottom drawer a refrigerator, fresh food space, or freezer with the control menu
- OptiView™: OptiView LED lights
- EventLift™: Easily rearrange the shelving without removal using the EvenLift system
- ProVent™: Uniform air circulation maintains consistent temperatures throughout the appliance resulting in better food preservation
- Antibacterial Stainless Steel Interiors Drawers: Achieve the highest food quality by storing food in the stainless steel interior drawer that shields against the spread of bacteria
- Total No Frost: Temperature control prevents cooling loss when opening the refrigerator door. No more frost build-up that requires defrosting
- Ice Maker: Get high-quality ice cubes in a variety of sizes
- Water Filter: Get pure water and crystal-clear ice thanks to the integrated water filter and ice maker
- SuperIce™: Temporarily increase ice cube production for gatherings and parties
- Ice Size: Easily switch between medium and large ice cubes
- EquiLance™: Achieve a seamless built-in look with Fhiaba's innovative door hinge
- Soft - Close System: State-of-the-art closing system ensures drawers and doors close smoothly and quietly ever time
- Fhiaba TFT Control Panel Color Display: Fhiaba's interactive menu enables easy navigation to customize the appliance's settings to meet your needs
- Vacation: Reduce energy usage and optimize food storage during vacations using the setting
- Shopping: Use the shopping function to quickly cool room temperature or food recently placed into the refrigerator
- Sabbath Mode

## GENERAL PROPERTIES

Equilance Hinge	YES
Soft-Closing Glides	YES
Low Vibration	YES
OptiView (Led Light Spots)	YES
Shelves	2
Type Of Shelves	GLASS
Door Bins	3
Fridge Interior Drawers	2
Freezer Drawers	1
Evenlift Shelves	YES
Full Extension Shelves 90° Door Opening	NO
Full Extension Drawers 90° Door Opening	YES
Defrost Process	AUTOMATIC
Ice Maker With Water Filter	NO
Door Open Alarms	YES
Shopping Fridge	YES
Shopping Freezer	YES
Power Failure Alert	YES

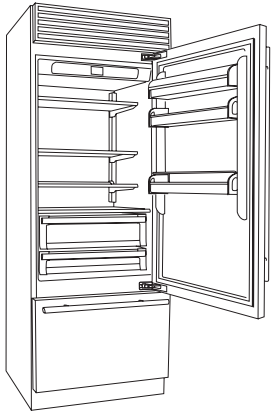
# FP30BI-RS1

30", FRIDGE AND FREEZER, OT Model

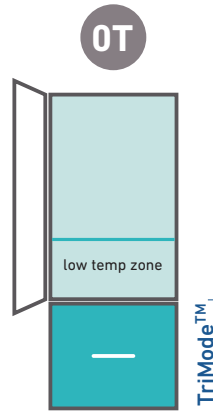
BUILT-IN

X-PRO® SERIES

## PRODUCT DETAIL



*Fhiaba*



1D | 1BD | 2M

**D** = door  
**BD** = drawer  
**M** = separate microclimates

### CAPACITY

Net Capacity	15.5 cuft (440 l)
Upper Compartment Wine Cellar Capacity (Bottles)	N/A
Lower Compartment Wine Cellar Capacity (Bottles)	N/A

### TECHNICAL DETAILS

Total Absorbed Current (A)	3.5
Voltage (V)	115
Frequency (Hz)	60
Power Cord Length	78 3/4" (2 m)
Plug Type	3-prong (15 Amp)
Climate Class	SN/T
Refrigerant (Gas)	R600a
Water Connection / Female Attachment	3/4" NPT (1/4" elbow adapter)

### EFFICIENCY

Estimated Yearly Electricity Use	502 kwh
----------------------------------	---------

### DIMENSIONS & WEIGHT

Height Of The Product (Minimum)	83 1/2" (2120 mm)
Adjustable Feet Height	up to 1" (25 mm)
Width Of The Product	30" (762 mm)
Depth Of Product Without Handle	25" (635 mm)
Cut-out Height	84" (2134 mm)
Cut-out Width	30" (762 mm)
Cut-out Depth	min 25" (635 mm)
Net Weight	421 lbs (191 kg)
Gross Weight	467 lbs (212 kg)

### TEMPERATURE RANGES

Climate Zones	2
Compartment 1 / Upper Temperature	from 34°F (1°C) to 45°F (7°C)
Compartment 2 / Middle Temperature	N/A
Compartment 3 / Low Temperature	from 9°F (-13°C) to -9°F (-23°C)

# FP30BI-RS1

30", FRIDGE AND FREEZER, OT Model

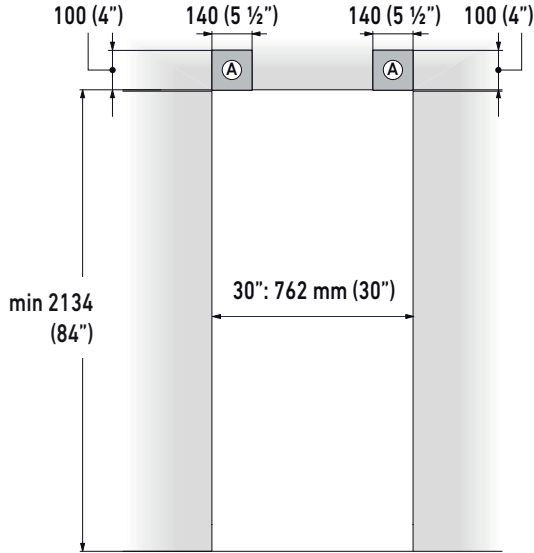
BUILT-IN

X-PRO® SERIES

## PRODUCT SPECIFICATIONS AND DIMENSIONS



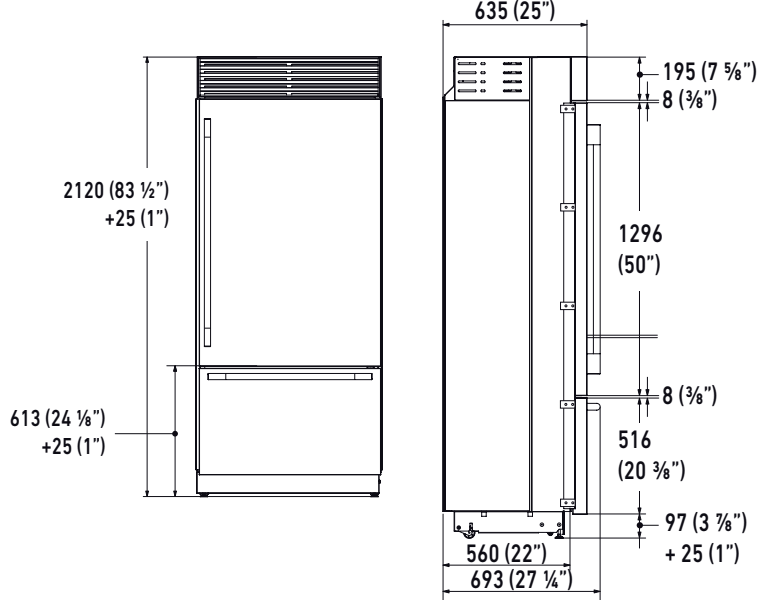
FRONT VIEW



**A**

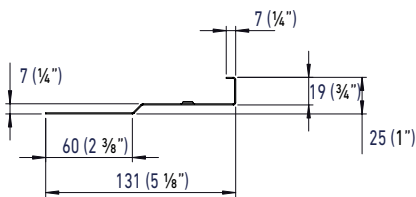
Area to be left clear for the anti-tipping brackets

SIDE VIEW



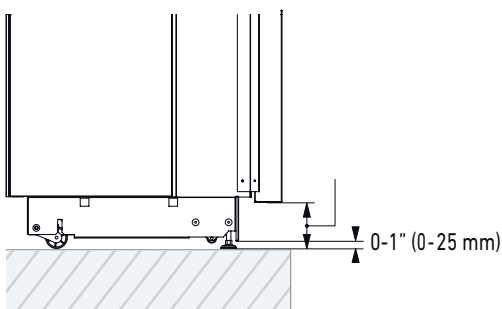
**!** Requires J-profile trim kit to finish the large openings / gaps around the appliance or use the standard plastic mounting clips fro fitting into Euro width cabinet.

### J profile

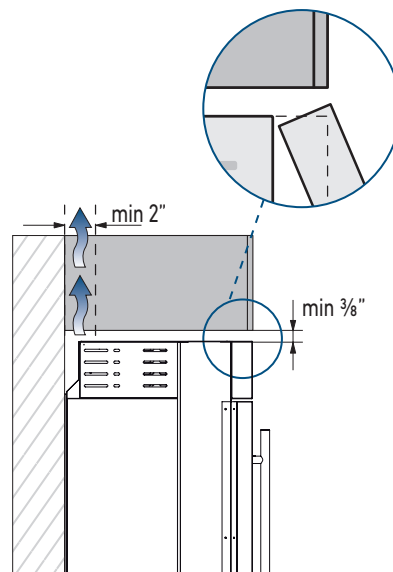


code FXJTRIMSS

### PLINTH SIZE



### TOP VENTILATION



**!**

If the units are to be installed inside a cutout or within an enclosed structure, it is necessary to design a ventilation shaft at the back of the cutout to assure proper ventilation at the back of the unit.

Cross-sectional chimney ventilation area should equal 200cm<sup>2</sup> (31in<sup>2</sup>).

# FP30BI-RS1

30", FRIDGE AND FREEZER, OT Model

BUILT-IN

X-PRO® SERIES

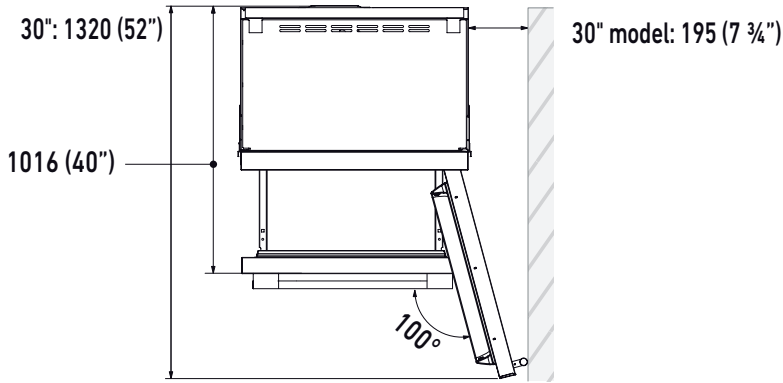
## PRODUCT SPECIFICATIONS AND DIMENSIONS

### TOP VIEWS

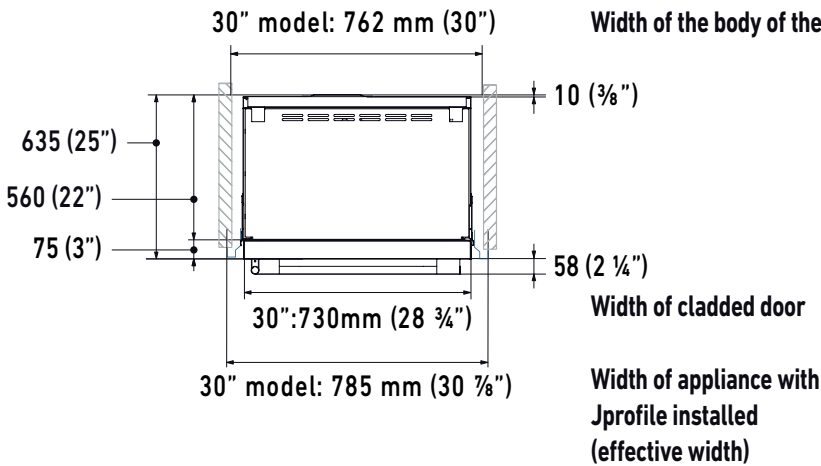


#### Door swing clearance

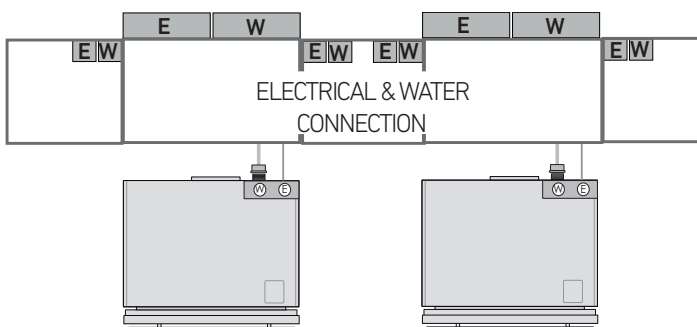
Minimum distance from the wall (hinge side)



#### Width of the body of the appliance



### Electrical Connection



Electrical and water connections (if applicable) should be reachable without having to uninstall the appliance. If the connections must be made directly behind the appliance then it is recommended to recess those connections. **IMPORTANT:** do not put the water shut-off valve behind the appliance where it will be inaccessible.